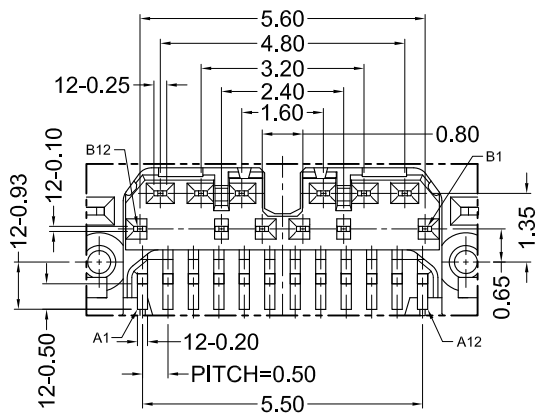
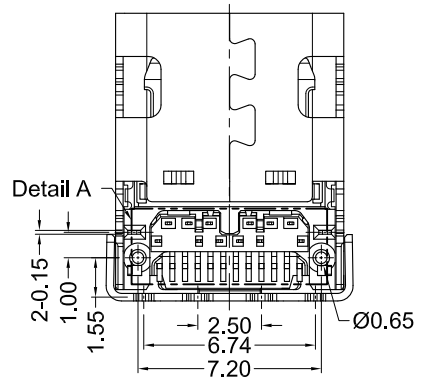
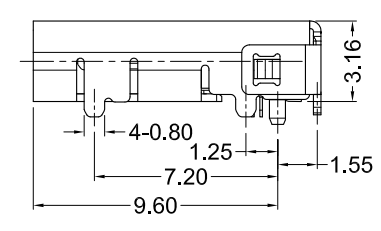
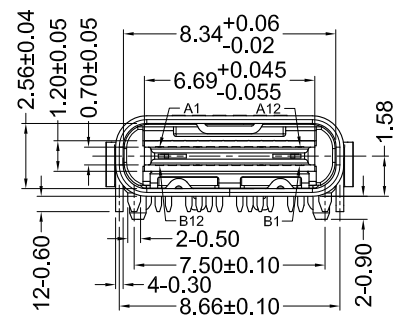
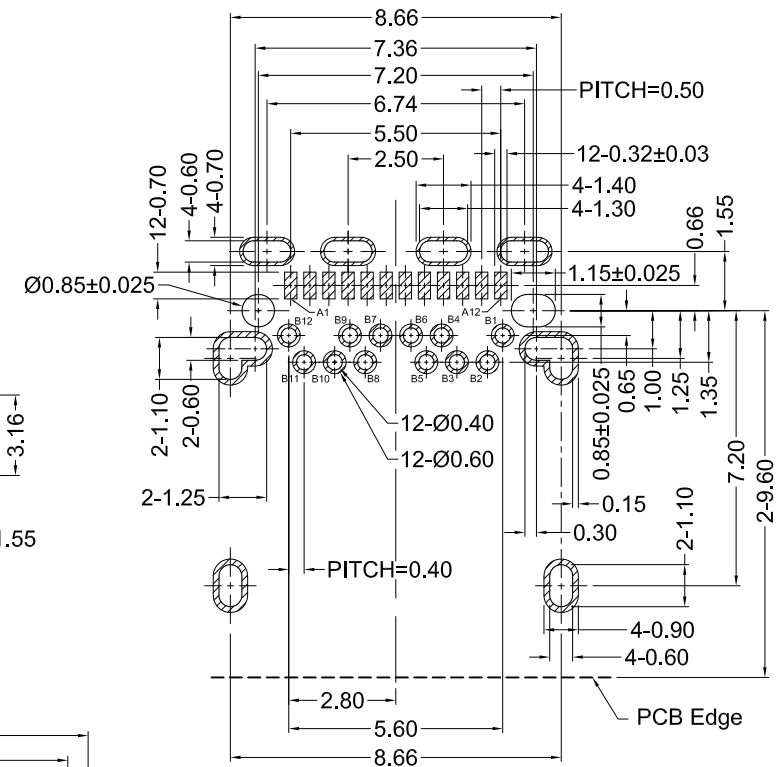


3D Views



Detail A



Recommended PCB Layout (Top View)

Materials and Finish

Housing: High Temp Thermoplastic
 UL 94V-0 Rated, Black Color
 Shield: Stainless Steel, Nickel Plated
 Contact Material:
 Copper Alloy
 Contact plating:
 Contact Area: 2u" Min Au + 30u" Min
 Ni-Pd Over 80u" Min Ni Underplate
 Lead Area: 200u" Max Sn

Electrical Characteristics

Rated Current:
 5.0A Inclusive (1.25A Ea.) For Pins
 A4, A9, B4, and B9 (VBUS)
 1.25A For pin B5 (VCONN)
 6.25A Inclusive For Pins
 A1, A12, B1, and B12 (GND)
 0.25A For All Other Pins
 Rated Voltage: 30V
 Insulation Resistance:
 100 Megohms Min. at 100V DC
 Contact Resistance:
 40 milliohms Max.
 Dielectric Withstanding Voltage:
 100V AC RMS for 1 Minute

Mechanical Characteristics

Insertion Force: 5N - 20N
 Withdrawal Force: 6N - 20N
 Durability: 10000 Mating Cycles Min.
 Operating Temperature:
 -30°C to +85°C

Tolerances
X.X ± 0.25
X.XX ± 0.15
Unless Stated Otherwise



REV.	DATE	DESCRIPTION	REV. BY	CHK. BY	DRAWN BY	DATE
A0	02/16/17	New Drawing	C. Kelleher	W. Cook		
A1	05/11/17	Release Drawing	J. Elbanna	G. Serrato	C. Kelleher	02/09/17

KUSBX-SMTTH-CS1-BTR

Type-C USB 3.1 Socket, SMT & Thru Hole

Leads, High Temp, RoHS Compliant

