

NOW AVAILABLE!

SolarShield™ HMI Covers

New Patent Pending SolarShield™ HMI Covers offer the most innovative, durable non-metallic HMI Covers for use with all enclosure material types! They are ideal for protecting HMI screens from UV and harsh environmental conditions.



ULTIMATE HMI SCREEN PROTECTION FROM UV AND DAMAGE IN HARSH ENVIRONMENTS

SUPERIOR PROTECTION AGAINST:



SUN/UV



FOREIGN OBJECTS
(FALLING DIRT)



RAIN, SLEET
& SNOW



RATED FOR
FLAMMABILITY

HOW IT WORKS:

Available in standard opaque polycarbonate material!



1.

Closed cover protects HMI screen from damaging UV rays

2.

Twist latch counterclockwise and lift top hinged cover

3.

Open side cover supports to reveal HMI screen

4.

Rest top cover into notches on supports for a hands free HMI cover that shades the screen and makes it easy to read!

MARKETS:

- Non-hazardous industrial and commercial markets
- Industries: Oil and gas, Equipment manufacturing, Industrial machines, Water/Wastewater, marine, food and beverage

APPLICATIONS:

- Extremely tough and durable, SolarShield HMI Covers are used in both outdoor and indoor applications. They provide superior protection of Human Machine Interface (HMI) screens from the sun, wind-blown dust, water ingress, oils, chemicals, grease, and other environmental conditions.

BENEFITS:

- 1. Simple and functional:** Easy to use, hinged design includes supporting inner doors for hands-free use and better visibility of the HMI screen in the sun.
- 2. Superior Protection:** SolarShield HMI covers protect HMI screens and electrical equipment from corrosion and damage due to UV, water, oils, dirt, and sand and greatly reduce equipment replacement cost.
- 3. Strength:** Impact resistant polycarbonate construction provides long dependable life in harsh conditions.

INNOVATIVE FEATURES:

- Patent pending with non-metallic, hinged inner doors to shield screen from the sun and allow for hands-free use
- Maintains NEMA Type 4/4X enclosure rating when paired with a NEMA Type 4/4X HMI Device.
- Universal covers can be used with either non-metallic or metallic enclosures
- Fits standard 10" x 8" and smaller HMI screens
- Lightweight, high-impact rated, UV resistant polycarbonate material construction
- Stainless steel hardware kit Included
- Padlock-able for increased security
- Simple and easy installation with the use of common tools
- Installation instructions and drill template provided
- Color: Pantone 428C

STAHLIN

A ROBROY ENCLOSURES® BRAND

500 Maple Street, Belding, MI 48809

E: CSR@robroyenclosures.com P: 616.794.0700

Email quotes@robroyenclosures.com to order • stahlin.com

CAT#: HMICVR1008

MATERIALS:

- Opaque Cover and Base: Polycarbonate with UV inhibitors
- Gasket: Robotically applied Foam-In-Place seamless polyurethane
- Hardware: Stainless Steel
- Twist Latch: Polyamide

RATINGS & LISTINGS:

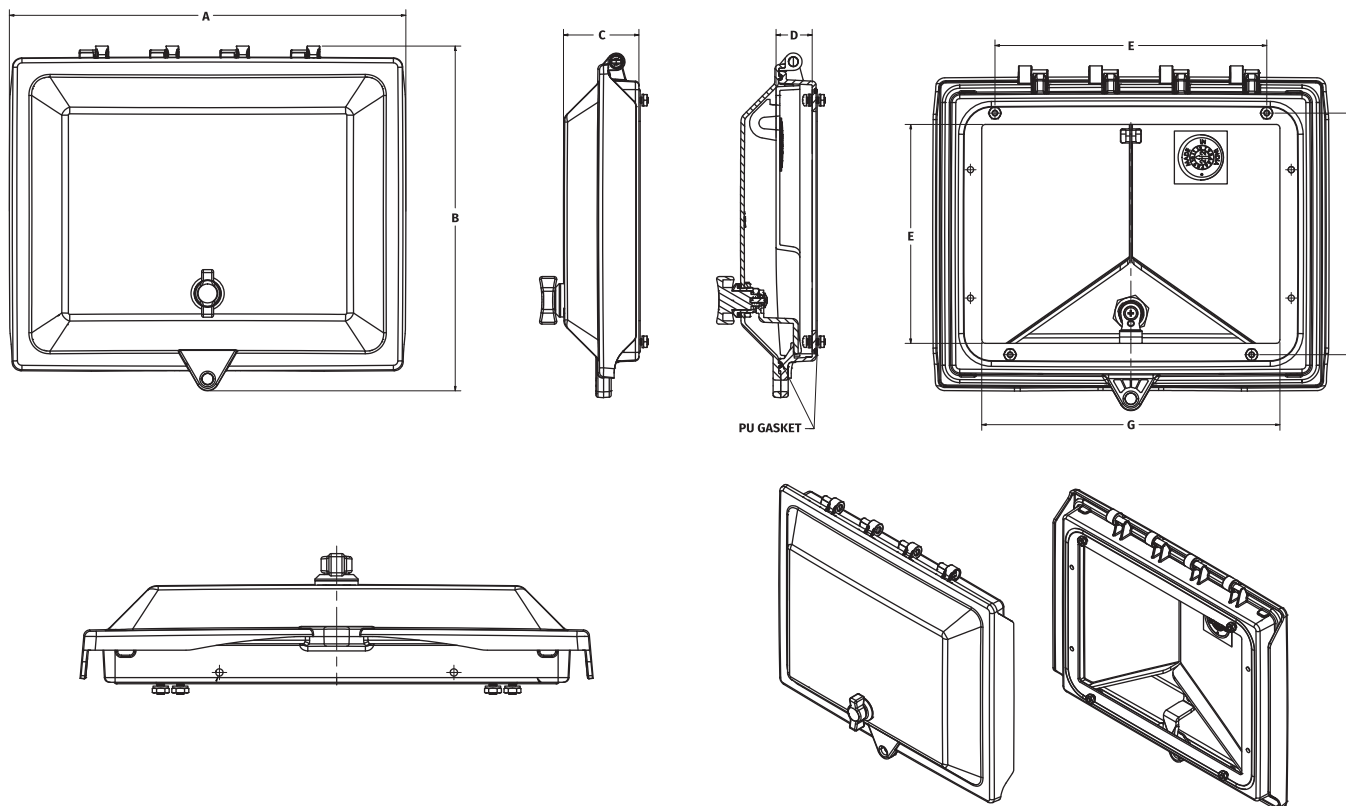
- cUL^{us} Listed
- UL Listed - File #E64358
- UL508A
- Maintains NEMA Type 4/4X enclosure rating
- Operating Temperature Rating: -40°F to +248°F (-40°C to +120°C)
- Outdoor UV Exposure (UL 746C) (f1) Rated
- UL's best rating, an "f1" per UL 746C (resin has passed tests for UV exposure and water immersion)



CATALOG NUMBERS AND DIMENSIONS:

CATALOG NUMBER	DESCRIPTION	OVERALL HxWxD	INSIDE HxWxD <i>*screen clearance</i>	SHIP WEIGHT (LBS)
HMICVR1008	HMI Cover for 10" x 8" HMI Device, Type 4 and 4X, Non-Metallic	13.13" x 11.41" x 2.50"	9.88" x 7.25" x 0.40"*	2.6

A WIDTH (INCHES)	B HEIGHT (INCHES)	C DEPTH (INCHES)	D USABLE DEPTH (INCHES)	E MOUNTING (INCHES)	F MOUNTING (INCHES)	G MAX SCREEN (INCHES)	H MAX SCREEN (INCHES)
13.13	11.41	2.50	1.00	9.00	8.00	9.88	7.25



STAHLIN
A ROBROY ENCLOSURES® BRAND

500 Maple Street, Belding, MI 48809
E: CSR@robroyenclosures.com P: 616.794.0700

Email quotes@robroyenclosures.com to order • stahlin.com