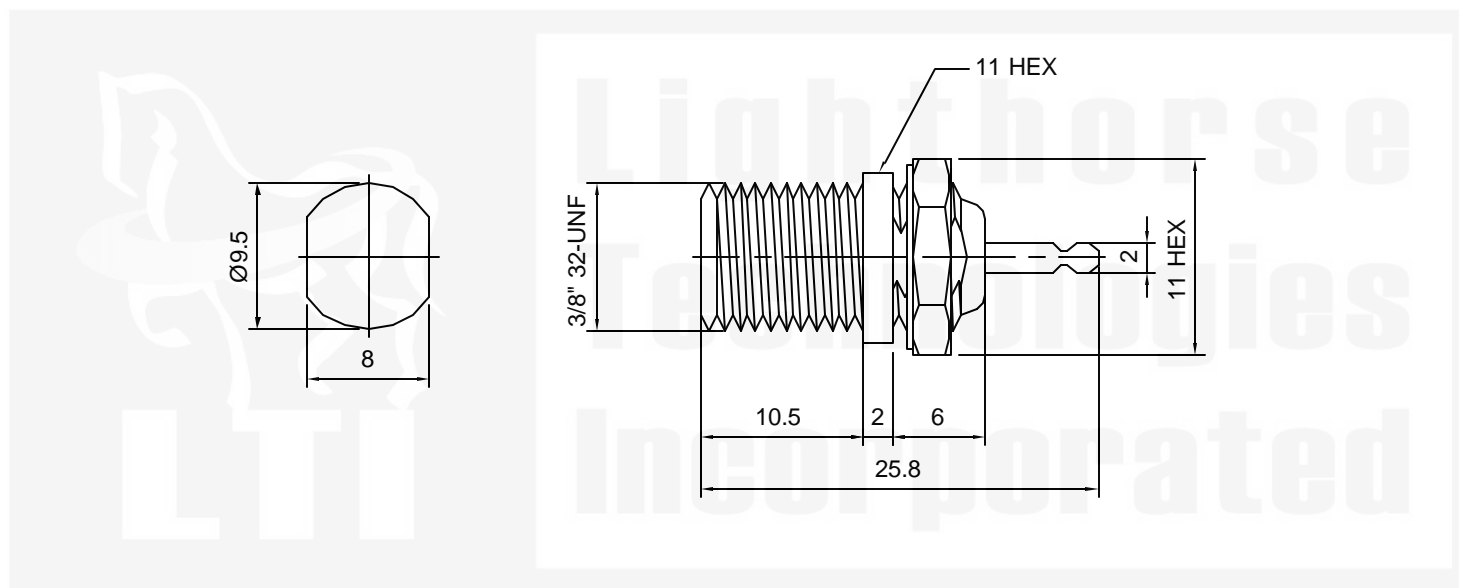


**Tolerances**  
 1-20= +/-0.2  
 20-30= +/-0.3  
 30-40= +/-0.4  
 40-50= +/-0.5  
 50-100= +/-0.75  
 100-300= +/-1.5  
 Angles= +/-1  
**Dimensions are in Millimeters**

Revisions Description/Approved/Date	Approved M.H.	Date 01/25/99
	Checked M.H.	Date 01/25/99
	Drawn K.R.E.	Date 01/21/99

NOTES (plating thickness in micro-inches):  
 1. Per QQ-B-626  
 2. Per QQ-S-764  
 3. Per QQ-C-530  
 4. Per QQ-B-750  
 5. Per MIL-P-19468  
 6. Per ZZ-R-765  
 7. Per WW-T-799  
 8. Gold pl. 5 min. over nickel pl. 50 min. over copper strike  
 9. Nickel pl. 100 min. over copper strike  
 10. Per QQ-P-35  
 11. Gold pl. 30 min. over nickel pl. 50 min. over copper strike



ITEM	MATERIAL	FINISH
Connector Body	Brass, Note 1	Nickel, Note 9
Center Contact: Female	Beryllium Copper, Note 3	Tin
Insulation	Polypropylene	None
Ferrule	--	--
Gasket	--	--
Hex Nut	Brass, Note 1	Same as body
Lock Washer	Brass, Note 1	Same as body



**Lighthouse Technologies, Inc.**  
 4907 Morena Boulevard, #1411  
 San Diego, California 92117

Part Number:  
**LTI-FSF73NP**

Description  
 F front mount bulkhead jack with solder tab termination.

Nickel plated brass body, polypropylene dielectric

Scale 2:1	Drawing No. F/FSF73	File Name FSF73
--------------	------------------------	--------------------