

LAYOUT SHOWN AS EXAMPLE

Keying Shown as example

CHARACTERISTICS

- Standard : Based on MIL-DTL-38999 Series III
- Shell Material : Aluminium
- Shell Plating : Olive drab Cadmium
- Insulator : Thermoplastic
- Contacts : Copper Alloy
- Seals & Grommet : Silicon Elastomer
- Contact Plating : Gold over copper Alloy 0.8µm minimum
- Durability : 500 Mating cycles
- Delivered without Souriau contacts
- Temperature Range : -65°C to +175°C
- Salt Spray : 500 hours
- Mass : 23.15 g ± 10%

| Connector dimension | |
|---------------------|-----------------|
| Dim | Nominal |
| A | 38.1±0.3 |
| B | 23.82+0.1/-0.15 |
| R | 32.5Max |
| S | 34.9±0.4 |
| W | 2.2+0.9/-0.1 |
| VV THREAD | M18x1-6g |

SOURIAU shall not be liable for any non-conformity or damage due to a use of the Products which does not comply with the Specifications issued by either of the Parties or by a third party (professional recommendation, technical notice.)

| | |
|---------|-----------------------------|
| Country | Jurisdiction & Control List |
| FR | Not Listed |

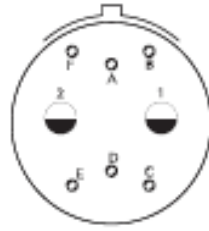
PN: 8D713W26PEL

| | | | |
|--------------|---|--------------------------------|---|
| A | 29-09-2016 | First Release | |
| ISS | DATE | Latest modification - by | MOD N° |
| Designed By: | | Date: | CUSTOMER DRAWING |
| TITLE | Aluminium Receptacle 8D series | | |
| SCALE | | General linear Tolerances: ±-- | NPRDS / PROJECT 859 |
| NA | SOURIAU WWW.SOURIAU.COM | | This document is the property of SOURIAU it must not be reproduced or communicated without permission |
| FORMAT | A3 | | SOURIAU DRG N° 8D713W26PEL-C |
| | | | SHEET 1/2 |

| | | | | | | | | | | |
|---------------|--------------------------|---|---|----|---|----|---|---|---|---------------------------------|
| BASIC SERIES: | 8D | 7 | - | 13 | W | 26 | P | E | L | Delivered W/O Contacts |
| SHELL TYPE | : Jam nut Receptacle | | | | | | | | | ORIENTATION : E |
| CONTACT TYPE | : Standard Crimp Contact | | | | | | | | | CONTACT TYPE : PIN(500 Matings) |
| SHELL SIZE | : 13 | | | | | | | | | CONTACT LAYOUT : 13-26 |
| PLATING | : W = Olive drab Cadmium | | | | | | | | | |

Contact Layout

26

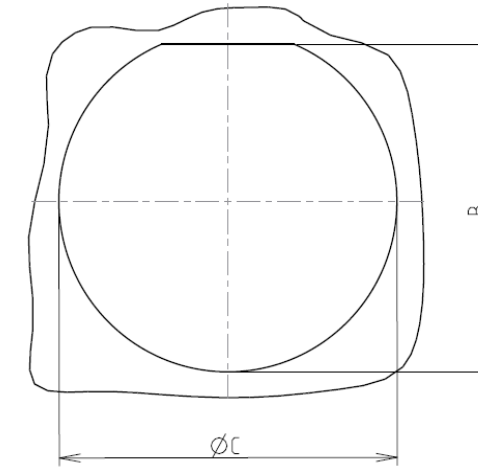


2#12
6#22D

| 13-26 | | |
|-------|-------|-------|
| Ctc | X | Y |
| A | 0 | 3.47 |
| B | 2.47 | 4.34 |
| C | 2.47 | -4.34 |
| D | 0 | -3.47 |
| E | -2.47 | -4.34 |
| F | -2.47 | 4.34 |
| 1 | 3.25 | 0 |
| 2 | -3.25 | 0 |

Panel cutout

JAM NUT RECEPTACLE (TYPE 7)



| Dim | Nominal |
|-----|---------------|
| B | 24.26+0/-0.25 |
| ØC | 25.65+0.25/-0 |

SOURIAU shall not be liable for any non-conformity or damage due to a use of the Products which does not comply with the Specifications issued by either of the Parties or by a third party (professional recommendation, technical notice.)

| Country | Jurisdiction & Control List |
|---------|-----------------------------|
| FR | Not Listed |

PN: 8D713W26PEL

| | | | |
|---------------------|---------------------------------------|--------------------------------|---|
| A | 29-09-2016 | First Release | |
| ISS | DATE | Latest modification - by | MOD N° |
| Designed By: | | Date: | CUSTOMER DRAWING |
| TITLE | Aluminium Receptacle 8D series | | |
| SCALE | | General linear Tolerances: ±-- | NPRDS / PROJECT 859 |
| SOURIAU | WWW.SOURIAU.COM | | This document is the property of SOURIAU it must not be reproduced or communicated without permission |
| FORMAT A3 | SOURIAU DRG N° 8D713W26PEL-C | | SHEET 2/2 |