

NOTE:

MATERIAL

HOUSING:	PBT UL94V-0, BLACK
CONTACT:	GOLD PLATED BRASS
SHELL:	SEE P/N KEY
WASHER:	SEE P/N KEY
NUT:	SEE P/N KEY
O-RING:	EPDM, BLACK

ELECTRICAL

RATED CURRENT:	3A
RATED VOLTAGE:	60V
INSULATION RESISTANCE:	100 MΩhms MIN.
CONTACT RESISTANCE:	10 mΩhms MAX.
WATER PROOF:	IP67

ENVIRONMENT

OPERATION TEMPERATURE:	-40°C TO +85°C
------------------------	----------------

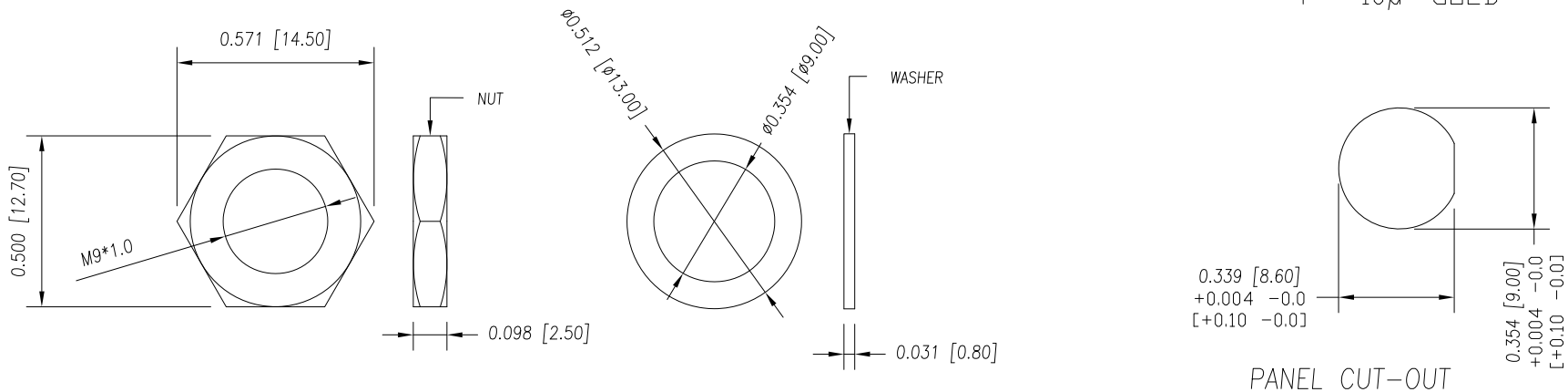
MAX WIRE AWG:

24

855-003-10YR00Y

3 = BRASS/NICKEL SHELL & NUT & WASHER
 S = 316 STAINLESS STEEL SHELL & NUT & WASHER

1 = GOLD FLASH
 4 = 10μ" GOLD



RoHS COMPLIANT

UNITS = inch [mm]

DO NOT SCALE FROM DRAWING



THESE DRAWINGS AND SPECIFICATIONS ARE THE PROPERTY OF NorComp AND SHALL NOT BE REPRODUCED, COPIED OR USED AS THE BASIS FOR THE MANUFACTURE OR SALE OF APPARATUS WITHOUT WRITTEN PERMISSION.

DRAWN:
M. SIGMON

DATE:
 03/04/2016

NorComp

SCALE:
 NTS

SHEET OF
 1 1

REV
 4

DWG NO.

855-003-103R00Y