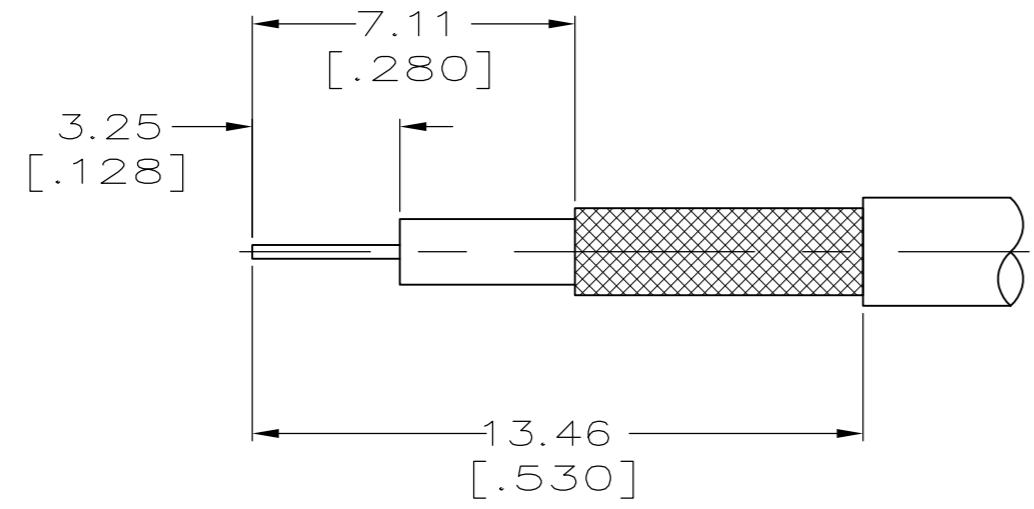
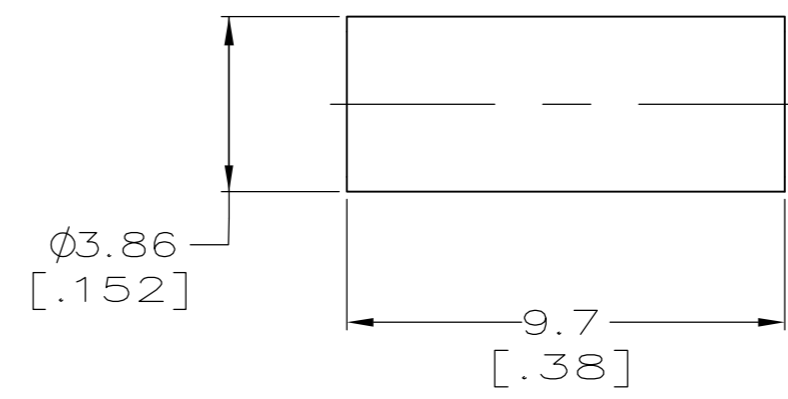
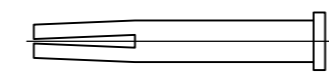
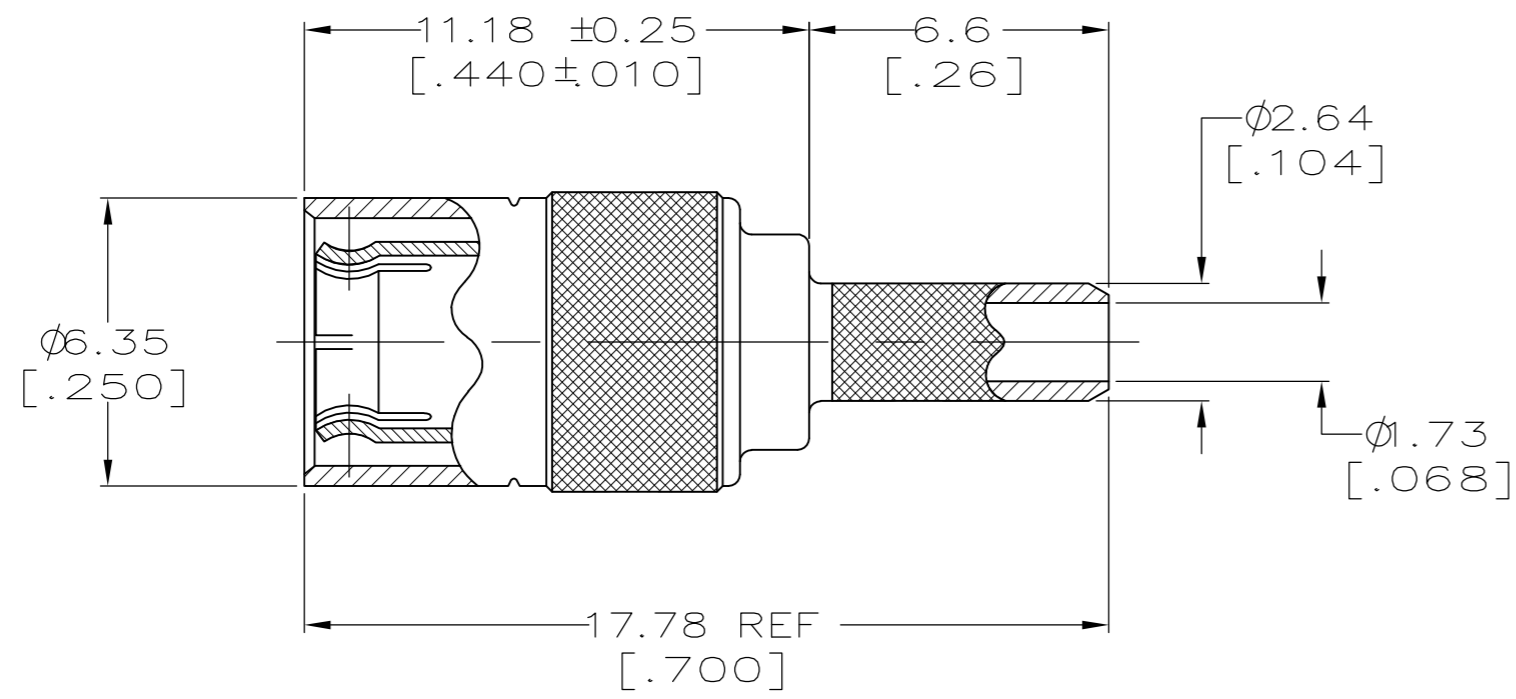


THIS DRAWING IS UNPUBLISHED. RELEASED FOR PUBLICATION
 © COPYRIGHT - By - ALL RIGHTS RESERVED.

REVISIONS				
P	LTR	DESCRIPTION	DATE	APVD
A3		REVISED PER ECR-17-009545	08AUG2017	AS RS



RECOMMENDED STRIP LENGTHS



- 1 MATERIALS:
 BODY: ZINC PER ASTM-B-86.
 OUTER CONTACT: BERYLLIUM COPPER PER ASTM-B-194.
 CENTER CONTACT: BERYLLIUM COPPER PER ASTM-B-196.
 DIELECTRIC: PTFE PER ASTM-D-1710.
- 2 FINISHES:
 BODY: NICKEL PER QQ-N-290.
 OUTER CONTACT: GOLD PER ASTM-B-488.
 CENTER CONTACT: GOLD PER ASTM-B-488.
- 3 FINISHES:
 BODY: NICKEL PER QQ-N-290.
 OUTER CONTACT: NICKEL PER QQ-N-290.
 CENTER CONTACT: GOLD PER ASTM-B-488.
- 4 TOOLING INFORMATION:
 CONTACT CRIMP: HAND TOOL M-22520/2-01 WITH DANIELS POSITIONER #K699, USE WITH SELECTOR #4.
 BRAID CRIMP: HAND TOOL M-22520/5-01 WITH DANIELS DIE SET #HX4-1637 (.128 HEX) OR TE PRO-CRIMPER WITH DIE SET #58483-1, USE POSITION LETTER B.
- 5. SEE INSTRUCTION SHEET 408-2987-12.
- 6 TOOLING INFORMATION:
 CONTACT CRIMP: HAND TOOL M-22520/2-01 WITH DANIELS POSITIONER #K699, USE WITH SELECTOR #4.
 BRAID CRIMP: HAND TOOL M-22520/2-01 WITH DANIELS DIE SET #HX4-1637 (.151 HEX) OR TE PRO-CRIMPER WITH DIE SET #58483-1, USE POSITION LETTER C.
- 7 FOR USE WITH RG 179/U CABLE.
- 8 FOR USE WITH RD 179/U (DOUBLE-BRAIDED) CABLE.

OBSOLETE	8	6	3	5415487-3
	7	4	3	5415487-2
	7	4	2	5415487-1
	CABLE	TOOLING	FINISH	PART NUMBER

THIS DRAWING IS A CONTROLLED DOCUMENT.		DWN J. HAVENER 01APR2005		
DIMENSIONS: mm [INCHES]		CHK J. HAVENER 01APR2005		
TOLERANCES UNLESS OTHERWISE SPECIFIED:		APVD J. HAVENER 01APR2005	NAME CABLE PLUG 75 OHM, MINI-SMB	
0 PLC ± -	1 PLC ± 0.3 [.01]	PRODUCT SPEC	SIZE	CAGE CODE
2 PLC ± 0.13 [.005]	3 PLC ± -	APPLICATION SPEC	A2	00779
4 PLC ± -	ANGLES ± -	FINISH	DRAWING NO	RESTRICTED TO
MATERIAL	FINISH	WEIGHT	0.000000	5415487
1	2 3	CUSTOMER DRAWING	SCALE	6:1
			SHEET	1 of 1
			REV	A3