

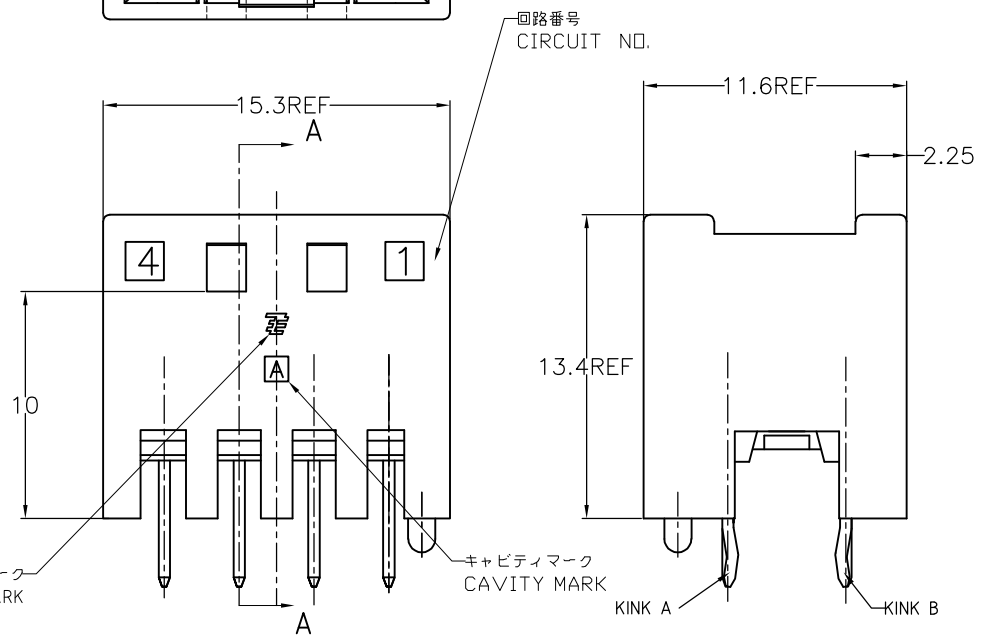
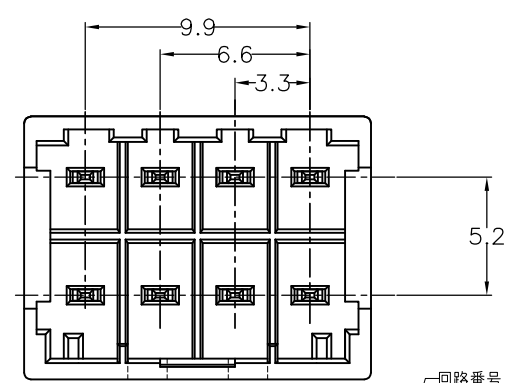
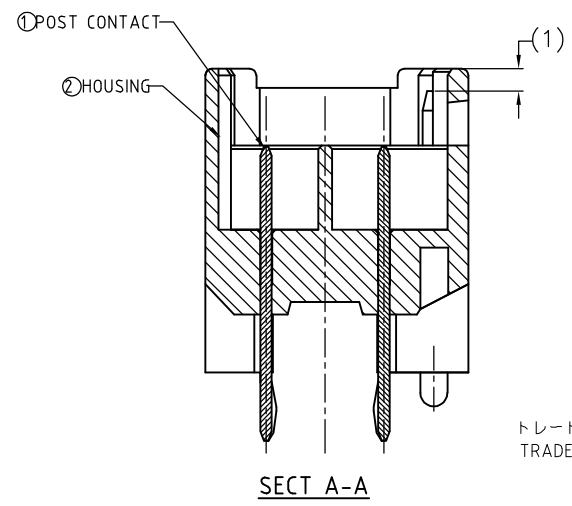
THIS DRAWING IS UNPUBLISHED. RELEASED FOR PUBLICATION
 © COPYRIGHT BY TYCO ELECTRONICS CORPORATION. ALL RIGHTS RESERVED.

LOC	DIST	REVISIONS 変更			
P	LTR	DESCRIPTION	DATE	DWN	APVD
J	—	E1	REVISED PER ECR-10-019980	04OCT10	HMR TM

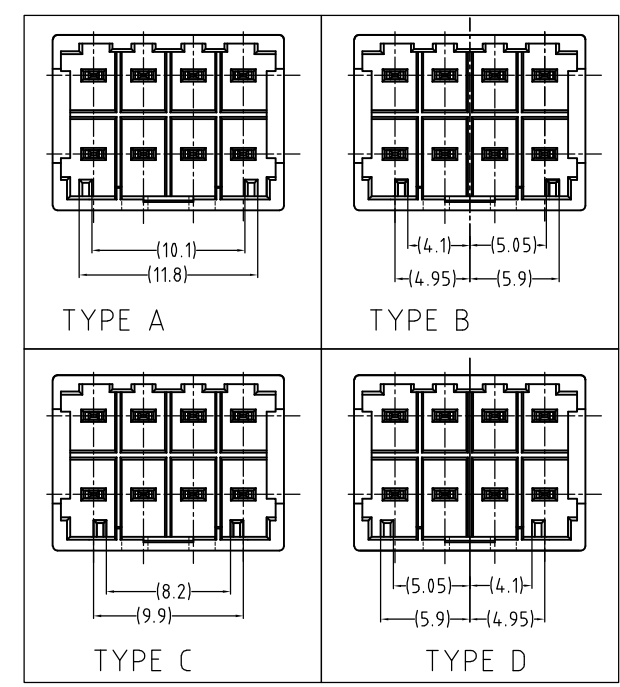
TABLE

②	ヘッダーハウジング (HEADER HOUSING)	6/6ナイロンガラス強化 (6/6 NYLON GRASS FILLED)
①	ポストコンタクト (POST CONTACT)	錫めっき仕上げ 銅合金 (COPPER ALLOY TIN PLATED)
NO.	名称 (NAME)	材料 (MATERIAL)

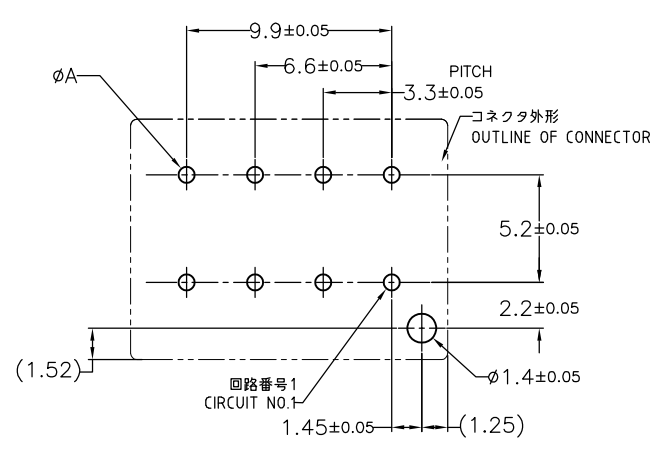
- 注)
 1. 取付穴寸法
 2. 適応基板厚: 1.6t
 3. かん合相手製品型番:
 プラグハウジング: SEE TABLE
- NOTES)
 1. RECOMMENDED P.C.B LAY OUT
 2. APPLICABLE P.C.B. THICKNESS:1.6
 3. MATING CONN. P/N
 PLUG HOUSING :SEE TABLE



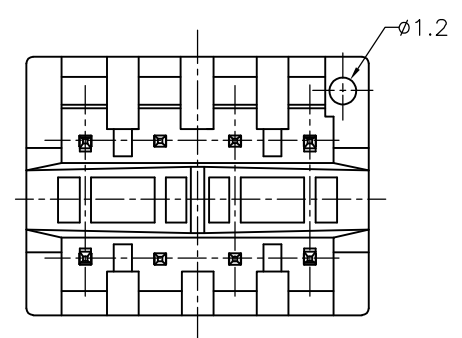
TYPE OF KEYING



PCB. LAYOUT ON RECOMMENDATION



パンチ加工 (PUNCHED HOLE)	0.7 ^{+0.1} ₋₀
ドリル加工 (DRILLED HOLE)	0.8 ±0.05
	A 寸法 DIM. A



*-1827387-3	WITHOUT	TYPE C	BLUE	7-1827393-3	
*-1827387-1	WITHOUT	TYPE A	NATURAL	5-1827393-1	
*-1827387-3	WITH	TYPE C	BLUE	2-1827393-3	
*-1827387-1	WITH	TYPE A	NATURAL	1827393-1	
MATING CONN. P/N	3	KINK	TYPE OF KEYING	COLOR	PART NUMBER

KINK FORM

× CHARACTER S IS STRAIGHT PIN.

8 POS	KINK FORM	B	S	S	B
	CIRCUIT NO.	5	6	7	8
	KINK FORM	A	S	S	A
	CIRCUIT NO.	1	2	3	4

THIS DRAWING IS A CONTROLLED DOCUMENT.

DWN	T.HATANO	19APR2005	 Tyco Electronics AMP K.K. Kawasaki, Japan
CHK	N.YAMASAKI	19APR2005	
APVD	N.YAMASAKI	19APR2005	
NAME	GRACE INERTIA CONNECTOR 3.3 HEADER ASSEMBLY 8POS		
PRODUCT SPEC	製品規格 108-78231		RESTRICTED TO
APPLICATION SPEC	取付適用規格		SIZE
WEIGHT	-		CAGE CODE
MATERIAL 材料 SEE TABLE			DRAWING NO 番号 A3 00779 C-1827393
FINISH 仕上			SCALE
-			3:1
CUSTOMER DRAWING			SHEET
-			1 OF 1
-			REV
-			E1