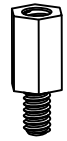
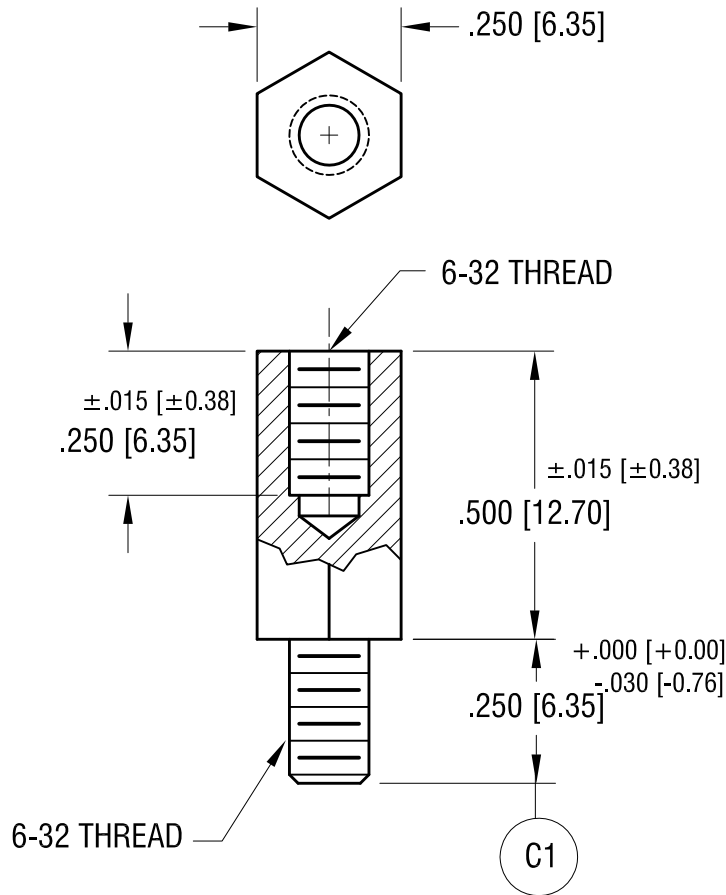


THIS DOCUMENT IS THE PROPERTY OF
KEYSTONE ELECTRONICS CORP. AND
SHALL NOT BE REPRODUCED, DISTRIBUTED
OR USED AS A BASIS FOR MANUFACTURE
WITHOUT PRIOR WRITTEN PERMISSION
FROM KEYSTONE ELECTRONICS CORP.

ACTUAL SIZE



- NOTE:
1. MAT'L- HIGH TEMPERATURE ,
HIGH PERFORMANCE NYLON (COLOR- BLACK)
 2. TEMPERATURE RANGE: -20°F [-29°C] to +365°F [+185°C]

				KEYSTONE ELECTRONICS CORP.			
				www.keyelco.com • NEW HYDE PARK, NY 11040 • Tel (516) 328-7500			
4.17.23	ⓈC1 WAS .250±.015 CHANGE AS PER ECN23-056	C	PART NAME HIGH TEMPERATURE NYLON STANDOFF				
1.13.22	TEMP. WAS -20°F to +400°F CHANGE AS PER ECN 22-021	B	MATERIAL AS NOTED				
6.15.20	GENERAL TOLERANCE WAS ±.005 CHANGE AS PER ECN 20-054	A	FINISH NONE		DRN BY NT	DATE 11.30.17	
DATE	DESCRIPTION	REV.	TOLERANCES INCH [MM] DECIMAL ±.010 [±0.25] ANGULAR ± 1° UNLESS OTHERWISE SPECIFIED		APP'D RH	SCALE 3X	
			CODE C		DWG NO. 4972		