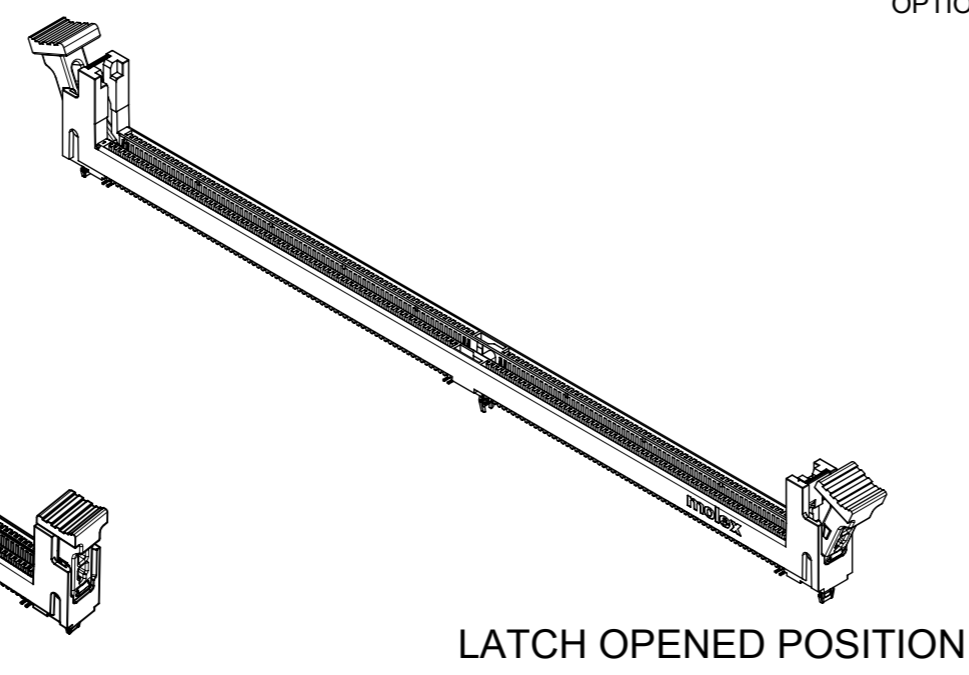
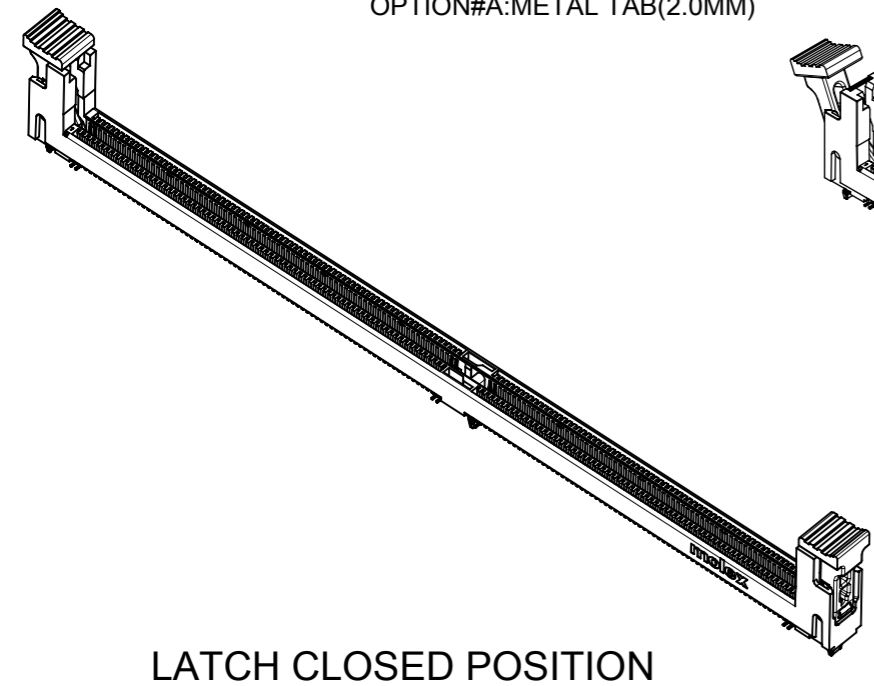
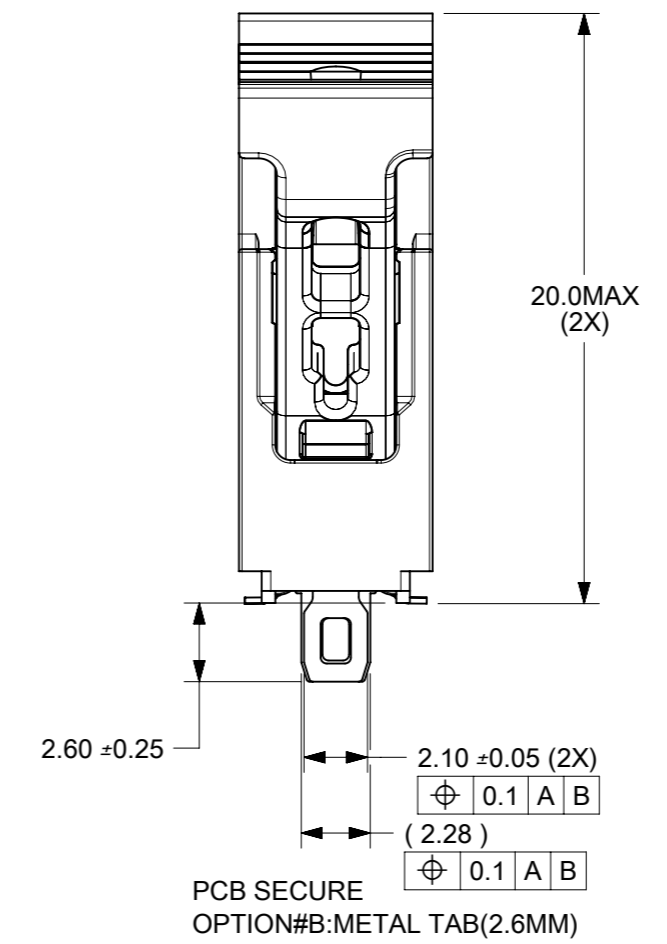
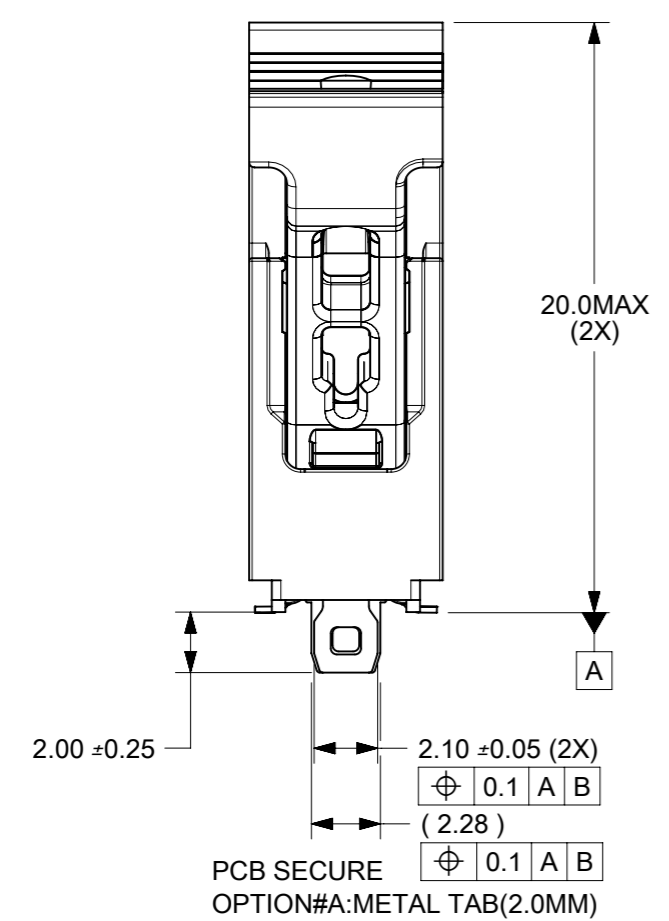
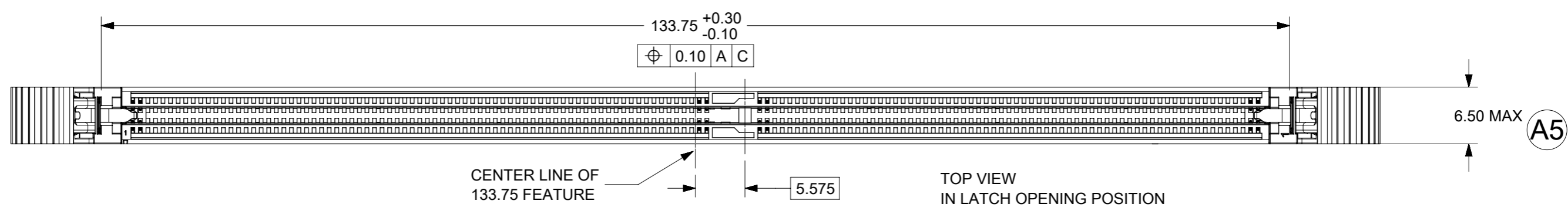


NOTES:

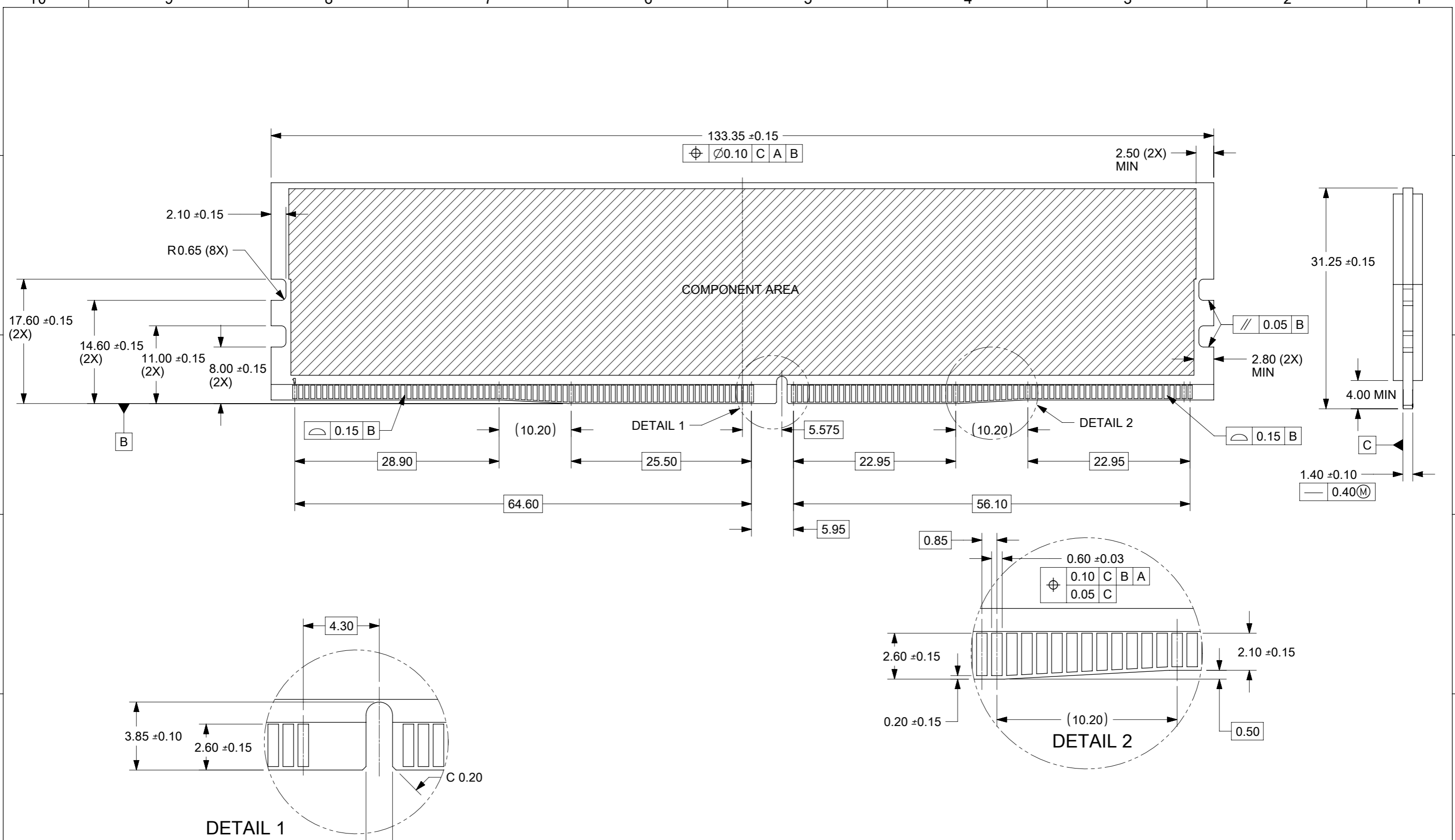
1. MATERIAL : HOUSING - POLYAMIDE (PA), GLASS FILLED, UL 94 V-0.  
COLOUR : SEE TABLE ON SHEET 6/7.  
LATCH - POLYAMIDE (PA), GLASS FILLED, UL 94 V-0.  
COLOUR : SEE TABLE ON SHEET 6/7.  
TERMINAL: COPPER ALLOY.
2. FINISHES - SEE TABLE ON SHEET 5.
3. PRODUCT SPECIFICATION : SEE TABLE ON SHEET 5.
4. PACKAGING SPECIFICATION: PRODUCT SHALL BE PACKED IN TRAY, SEE SHEET 5.
5. CARD SLOT ACCEPTS 1.40±0.10MM MODULE THICKNESS (MEASURED OVER P.C. PADS).
6. MOLEX LOGO, DATE & PART NO. INDICATED ON HOUSING.
7. MODULE SEATING PLANE.
8. KEEP OUT ZONE RESERVED FOR LATCH.
9. KEEP OUT AREA IS THE AREA WHERE THE CONNECTOR (INCLUDES LATCHES IN OPENING POSITION) IS MOUNTED ON THE PCB.
10. KAPTON TAPE TO BE ADHERED AT THIS LOCATION

THIS DESIGN IS BASED ON DESIGN OBJECTIVES AND IS STRICTLY TENTATIVE. IT MAY CHANGE BASED ON RESULTS OF ADDITIONAL DESIGN REVIEWS AND VERIFICATIONS.

SYMBOLS	THIS DRAWING CONTAINS INFORMATION THAT IS PROPRIETARY TO MOLEX ELECTRONIC TECHNOLOGIES, LLC AND SHOULD NOT BE USED WITHOUT WRITTEN PERMISSION		CURRENT REV DESC:		<b>molex</b>
	DIMENSION UNITS	SCALE			
▽ = 0	mm	NTS			DDR4 DIMM, 0.85MM PITCH, VERTICAL, SMT, 288CKT
▽ = 0	GENERAL TOLERANCES (UNLESS SPECIFIED)				
▽ = 0	ANGULAR TOL ± 2.0°				PRODUCT CUSTOMER DRAWING
▽ = 0	4 PLACES ±		EC NO: 645706		
▽ = 0	3 PLACES ±		DRWN: CCHEN103 2020/08/11		
▽ = 0	2 PLACES ± 0.2		CHK'D: SHLENI 2020/11/04		
▽ = 0	1 PLACE ±		APPR: SHLENI 2020/11/04		
▽ = 0	0 PLACES ±		INITIAL REVISION:		
□ = 0	DRAFT WHERE APPLICABLE MUST REMAIN WITHIN DIMENSIONS		DRWN: JAKEEMEW 2017/03/22		DOCUMENT NUMBER
▽ = 0	THIRD ANGLE PROJECTION		APPR: SHLENI 2017/04/12		DOC TYPE
	DRAWING		SERIES		DOC PART
	A3-SIZE		204245		REVISION
	MATERIAL NUMBER		CUSTOMER		
	SEE TABLE		GENERAL MARKET		
	SHEET NUMBER		1 OF 6		



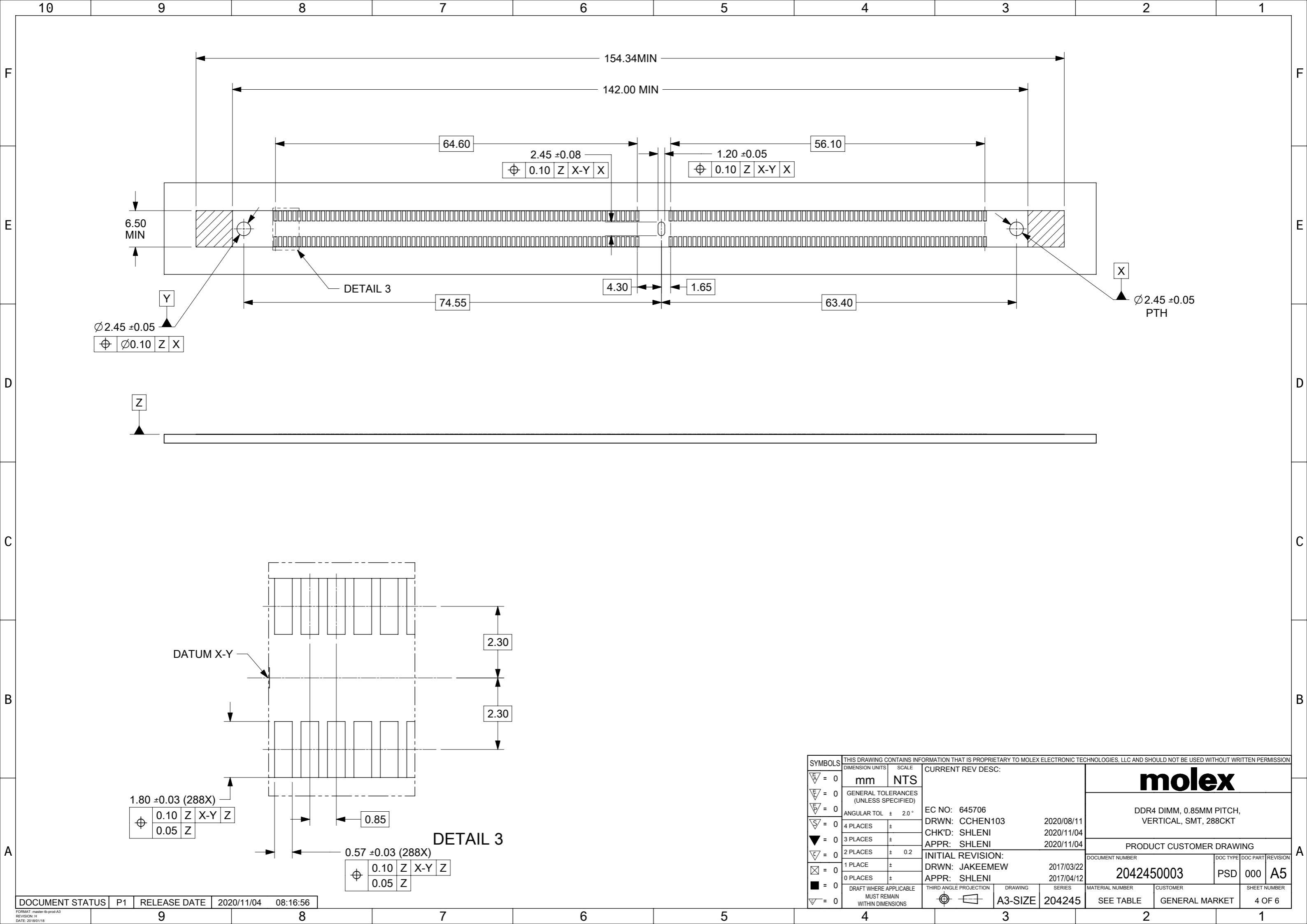
<b>SYMBOLS</b> 	THIS DRAWING CONTAINS INFORMATION THAT IS PROPRIETARY TO MOLEX ELECTRONIC TECHNOLOGIES, LLC AND SHOULD NOT BE USED WITHOUT WRITTEN PERMISSION		<b>molex</b>  DDR4 DIMM, 0.85MM PITCH, VERTICAL, SMT, 288CKT			
	DIMENSION UNITS: mm SCALE: NTS	CURRENT REV DESC: EC NO: 645706 DRWN: CCHEN103 2020/08/11 CHK'D: SHLENI 2020/11/04 APPR: SHLENI 2020/11/04				
	GENERAL TOLERANCES (UNLESS SPECIFIED) ANGULAR TOL: ± 2.0° 4 PLACES: ± 3 PLACES: ± 2 PLACES: ± 0.2 1 PLACE: ± 0 PLACES: ±	INITIAL REVISION: DRWN: JAKEEMEW 2017/03/22 APPR: SHLENI 2017/04/12	MATERIAL NUMBER: SEE TABLE CUSTOMER: GENERAL MARKET SHEET NUMBER: 2 OF 6			
	DRAFT WHERE APPLICABLE MUST REMAIN WITHIN DIMENSIONS THIRD ANGLE PROJECTION DRAWING: A3-SIZE SERIES: 204245	DRW: JAKEEMEW APPR: SHLENI	SEE TABLE			



DETAIL 1

DETAIL 2

SYMBOLS	THIS DRAWING CONTAINS INFORMATION THAT IS PROPRIETARY TO MOLEX ELECTRONIC TECHNOLOGIES, LLC AND SHOULD NOT BE USED WITHOUT WRITTEN PERMISSION		CURRENT REV DESC:			<b>molex</b>			
	▽ = 0	mm							NTS
▽ = 0	GENERAL TOLERANCES (UNLESS SPECIFIED)		DRWN: SHLENI			2020/11/04	PRODUCT CUSTOMER DRAWING		
▽ = 0	ANGULAR TOL ± 2.0°		APPR: SHLENI			2020/11/04	DOCUMENT NUMBER		
▽ = 0	4 PLACES	±	INITIAL REVISION:			2042450003			
▽ = 0	3 PLACES	±	DRWN: JAKEEMEW			2017/03/22	PSD	000	A5
▽ = 0	2 PLACES	± 0.2	APPR: SHLENI			2017/04/12	DOC TYPE DOC PART REVISION		
▽ = 0	1 PLACE	±	MATERIAL NUMBER			CUSTOMER			
▽ = 0	0 PLACES	±	204245			SEE TABLE GENERAL MARKET			
■ = 0	DRAFT WHERE APPLICABLE MUST REMAIN WITHIN DIMENSIONS		THIRD ANGLE PROJECTION	DRAWING	SERIES	SHEET NUMBER		3 OF 6	
▽ = 0			⊕	A3-SIZE	204245				



SYMBOLS	THIS DRAWING CONTAINS INFORMATION THAT IS PROPRIETARY TO MOLEX ELECTRONIC TECHNOLOGIES, LLC AND SHOULD NOT BE USED WITHOUT WRITTEN PERMISSION		CURRENT REV DESC:			<b>molex</b>		
	DIMENSION UNITS	SCALE						
▽ = 0	mm	NTS	EC NO: 645706			DDR4 DIMM, 0.85MM PITCH, VERTICAL, SMT, 288CKT		
▽ = 0	GENERAL TOLERANCES (UNLESS SPECIFIED)		DRWN: CCHEN103 2020/08/11			PRODUCT CUSTOMER DRAWING		
▽ = 0	ANGULAR TOL ± 2.0°		CHK'D: SHLENI 2020/11/04			2042450003 PSD 000 A5		
▽ = 0	4 PLACES ±		APPR: SHLENI 2020/11/04			INITIAL REVISION:		
▽ = 0	3 PLACES ±		DRWN: JAKEEMEW 2017/03/22			MATERIAL NUMBER		
▽ = 0	2 PLACES ± 0.2		APPR: SHLENI 2017/04/12			CUSTOMER		
▽ = 0	1 PLACE ±		SERIES			SHEET NUMBER		
▽ = 0	0 PLACES ±		A3-SIZE 204245			4 OF 6		
■ = 0	DRAFT WHERE APPLICABLE MUST REMAIN WITHIN DIMENSIONS		THIRD ANGLE PROJECTION			SEE TABLE		
▽ = 0			DRAWING			GENERAL MARKET		

DOCUMENT STATUS	P1	RELEASE DATE	2020/11/04	08:16:56
-----------------	----	--------------	------------	----------

FORMAT: master-ib-prod-A3  
 REVISION: 11  
 DATE: 2018/01/18


ASSEMBLY PART NUMBER	HOUSING COLOUR	LATCH COLOUR	CIRCUIT SIZE	KAPTON TAPE	PCB SECURE FEATURES			PLATING OPTION	PRODUCT SPECIFICATION	PACKAGING SPECIFICATION
					LEFT	CENTER	RIGHT			
204245-1003	BLACK	BLACK	288	YES	OPTION#A: METAL TAB (2.00MM)	OPTION#A: METAL TAB (2.00MM)	OPTION#A: METAL TAB (2.00MM)	0.38 MICROMETER (15 MICROINCH) MINIMUM GOLD ON CONTACT 2.54 MICROMETER (100 MICROINCH) MINIMUM TIN ON SOLDER TAILS 1.27 MICROMETER (50 MICROINCH) MINIMUM NICKEL UNDERPLATE	2042450003	PK-78839-001
204245-1004	BLUE									
204245-1005	BLUE									
204245-1006	NATURAL (OFF-WHITE)									
204245-1013	BLACK	BLACK		NO						
204245-1030		NATURAL (OFF-WHITE)								
204245-1403		BLACK								
204245-1405	BLUE	BLUE		YES	OPTION#B: METAL TAB (2.60MM)	OPTION#B: METAL TAB (2.60MM)	OPTION#B: METAL TAB (2.60MM)			
204245-1813	BLACK	BLACK		NO	OPTION#A: METAL TAB (2.00MM)	OPTION#A: METAL TAB (2.00MM)	OPTION#A: METAL TAB (2.00MM)			
204245-1830		NATURAL (OFF-WHITE)								

A5

<b>SYMBOLS</b> = 0 = 0 = 0 = 0 = 0 = 0 = 0 = 0 = 0	THIS DRAWING CONTAINS INFORMATION THAT IS PROPRIETARY TO MOLEX ELECTRONIC TECHNOLOGIES, LLC AND SHOULD NOT BE USED WITHOUT WRITTEN PERMISSION DIMENSION UNITS: <b>mm</b> SCALE: <b>NTS</b>	CURRENT REV DESC:  EC NO: 645706 DRWN: CCHEN103 2020/08/11 CHK'D: SHLENI 2020/11/04 APPR: SHLENI 2020/11/04  INITIAL REVISION: DRWN: JAKEEMEW 2017/03/22 APPR: SHLENI 2017/04/12	<b>molex</b>			
	GENERAL TOLERANCES (UNLESS SPECIFIED) ANGULAR TOL ± 2.0°		DDR4 DIMM, 0.85MM PITCH, VERTICAL, SMT, 288CKT			
	4 PLACES ± 3 PLACES ± 2 PLACES ± 0.2 1 PLACE ± 0 PLACES ±		PRODUCT CUSTOMER DRAWING			
	DRAFT WHERE APPLICABLE MUST REMAIN WITHIN DIMENSIONS THIRD ANGLE PROJECTION 		DOCUMENT NUMBER <b>2042450003</b>	DOC TYPE <b>PSD</b>	DOC PART <b>000</b>	REVISION <b>A5</b>
	DRAWING <b>A3-SIZE</b>		SERIES <b>204245</b>	MATERIAL NUMBER SEE TABLE	CUSTOMER GENERAL MARKET	SHEET NUMBER 5 OF 6

ASSEMBLY PART NUMBER	HOUSING COLOUR	LATCH COLOUR	CIRCUIT SIZE	KAPTON TAPE	PCB SECURE FEATURES			PLATING OPTION	PRODUCT SPECIFICATION	PACKAGING SPECIFICATION
					LEFT	CENTER	RIGHT			
204245-0212	BLACK	BLACK	288	NO	OPTION#A: METAL TAB (2.00MM)	OPTION#A: METAL TAB (2.00MM)	OPTION#A: METAL TAB (2.00MM)	0.76 MICROMETER (30 MICROINCH) MINIMUM GOLD ON CONTACT 2.54 MICROMETER (100 MICROINCH) MINIMUM TIN ON SOLDER TAILS 1.27 MICROMETER (50 MICROINCH) MINIMUM NICKEL UNDERPLATE	2042450103	PK-78839-001
204245-0213		NATURAL (OFF-WHITE)								
204245-0214	BLUE									
204245-0312	BLACK									
204245-0313	BLACK	NATURAL (OFF-WHITE)		YES	OPTION#B: METAL TAB (2.60MM)	OPTION#B: METAL TAB (2.60MM)	OPTION#B: METAL TAB (2.60MM)			
204245-0311	NATURAL (OFF-WHITE)									
204245-0314	BLUE									
204245-0315	BLUE									
204245-0412	BLACK	BLACK								
204245-0415	BLUE	BLUE								

A5

<b>SYMBOLS</b> ▽ = 0 ▽ = 0 ▽ = 0 ▽ = 0 ▽ = 0 ▽ = 0 ▽ = 0 ▽ = 0 ▽ = 0 ▽ = 0	THIS DRAWING CONTAINS INFORMATION THAT IS PROPRIETARY TO MOLEX ELECTRONIC TECHNOLOGIES, LLC AND SHOULD NOT BE USED WITHOUT WRITTEN PERMISSION		CURRENT REV DESC:				
	DIMENSION UNITS	SCALE	EC NO: 645706				
	mm	NTS	DRWN: CCHEN103 2020/08/11		2042450003		
	GENERAL TOLERANCES (UNLESS SPECIFIED)		CHK'D: SHLENI 2020/11/04		DOC TYPE		
	ANGULAR TOL ± 2.0°		APPR: SHLENI 2020/11/04		PSD		
	4 PLACES ±		INITIAL REVISION:		DOC PART		
	3 PLACES ±		DRWN: JAKEEMEW 2017/03/22		000		
	2 PLACES ± 0.2		APPR: SHLENI 2017/04/12		A5		
	1 PLACE ±		DRAFT WHERE APPLICABLE MUST REMAIN WITHIN DIMENSIONS		REVISION		
	0 PLACES ±		THIRD ANGLE PROJECTION		SHEET NUMBER		
DRAFT WHERE APPLICABLE MUST REMAIN WITHIN DIMENSIONS		DRAWING		6 OF 6			
		SERIES					
		A3-SIZE					
		204245					
		MATERIAL NUMBER					
		SEE TABLE					
		CUSTOMER					
		GENERAL MARKET					