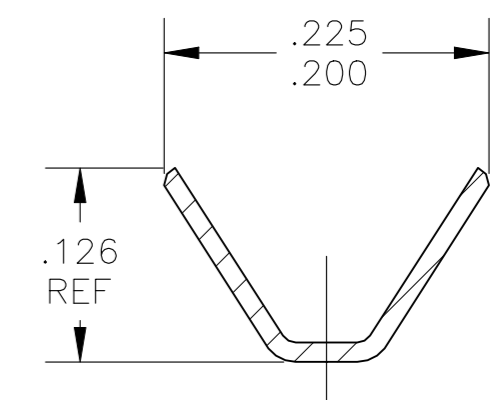
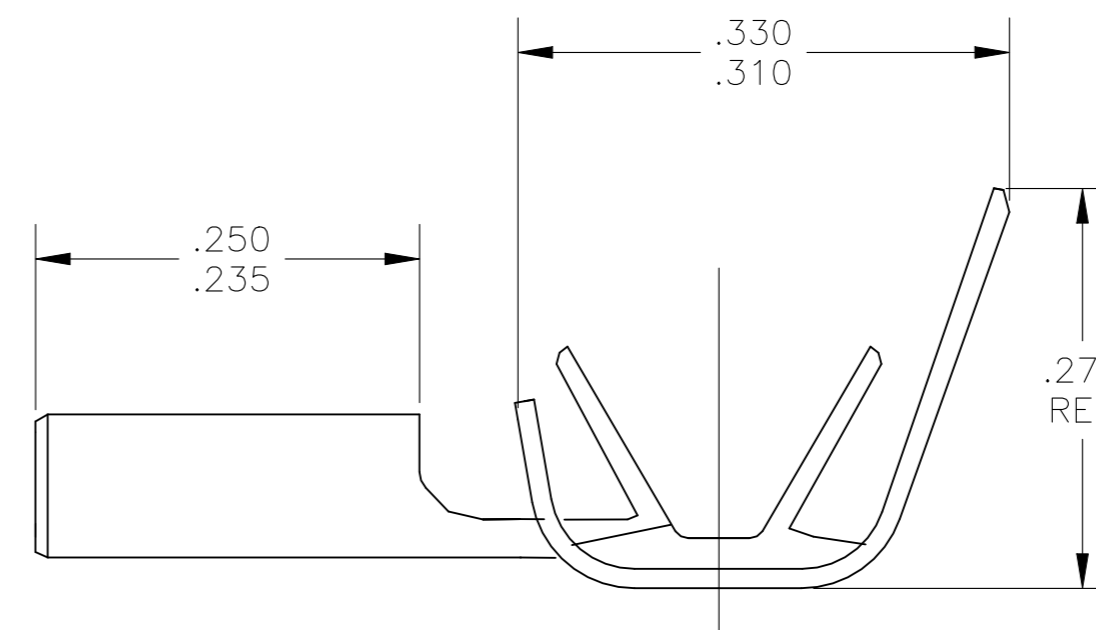
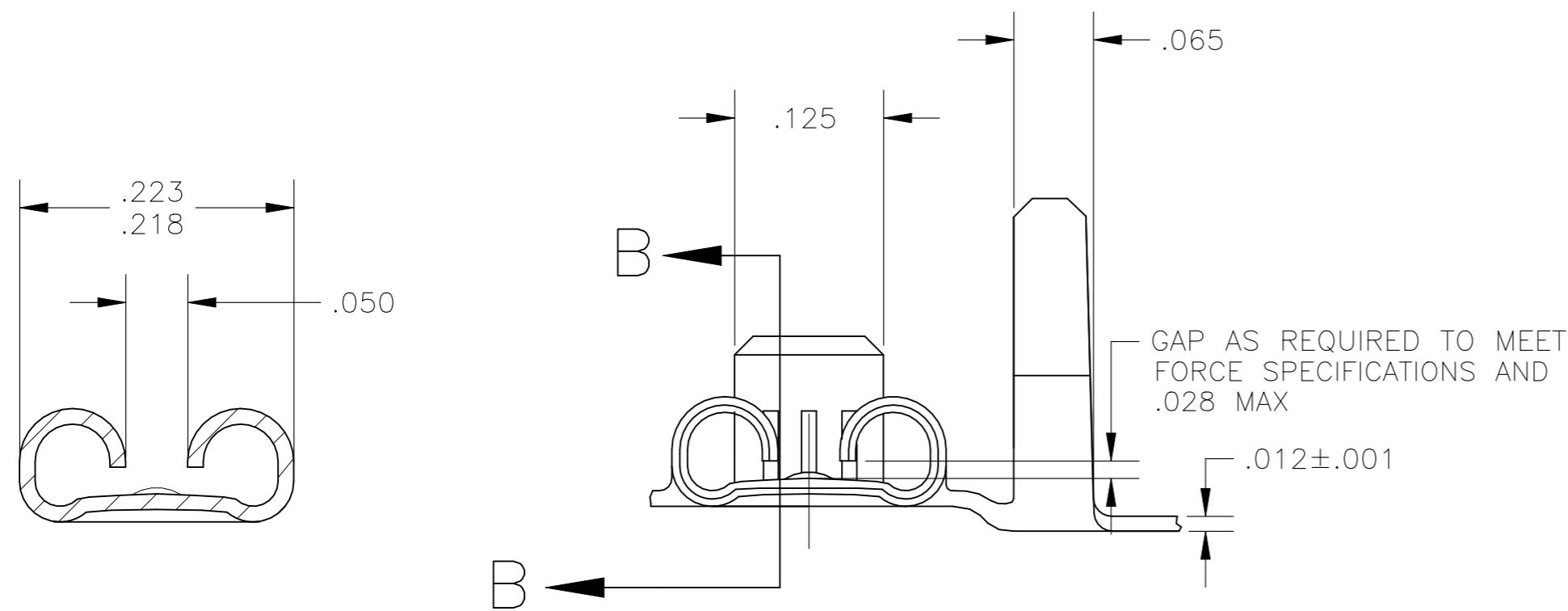
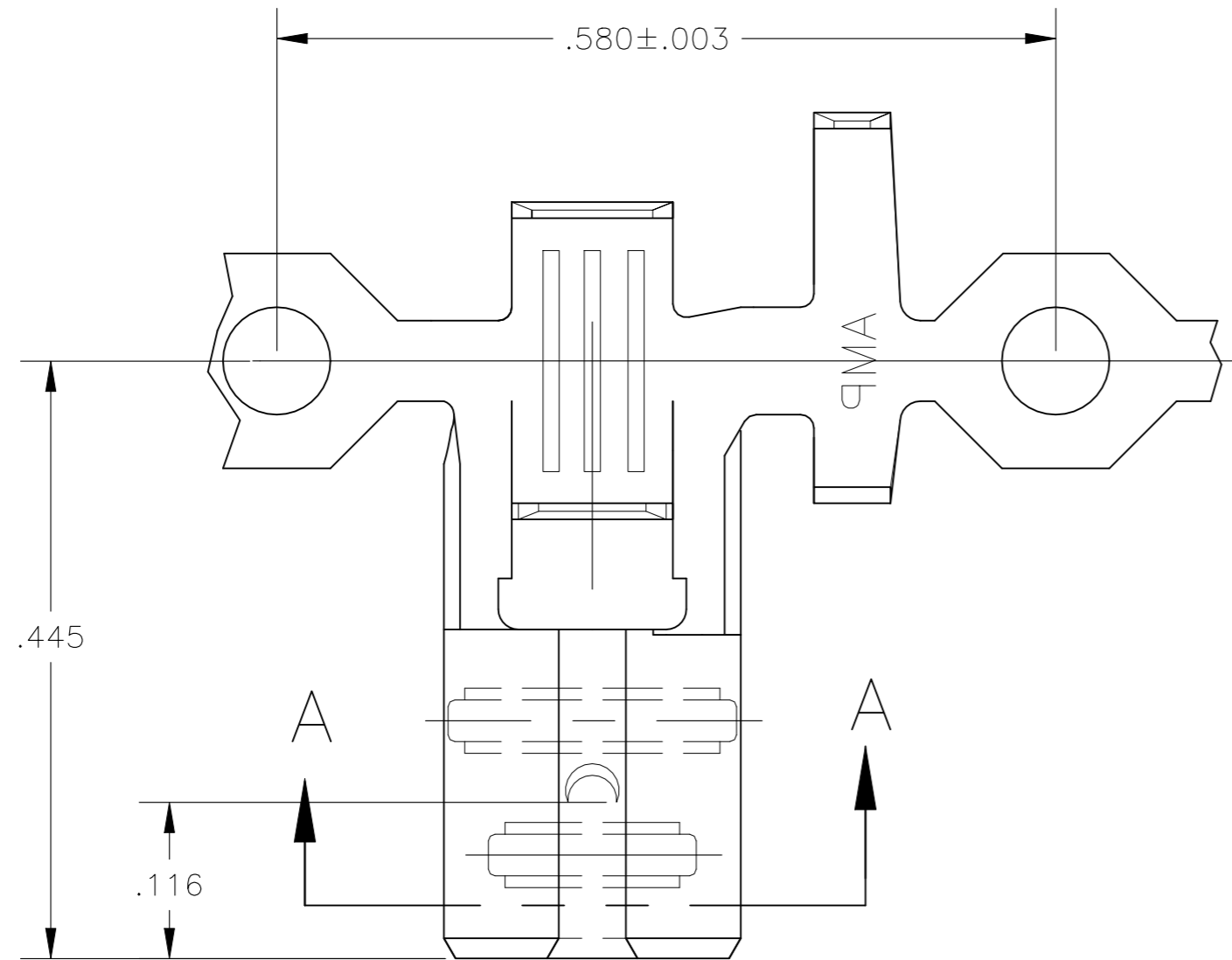


REVISIONS					
P	LTR	DESCRIPTION	DATE	DWN	APVD
H2		REVISED PER ECR-22-137168	13MAY2022	SS	ES

- 1 CONTINUOUS STRIP ON REELS
- 2 MATING TAB THK IS .033-.030
- 3 WIRE SIZE IS FOR ONE OR TWO #18'S AWG
- 4 INSULATION RANGE IS .110-.150 OR TWO AT .110 MAX.



SECTION A-A

SECTION B-B

1742049-1
PART NO

THIS DRAWING IS A CONTROLLED DOCUMENT.		DWN JR RUTH 14JAN2004	TE Connectivity																			
DIMENSIONS: INCHES		CHK P DESANTIS 14JAN04																				
TOLERANCES UNLESS OTHERWISE SPECIFIED:		APVD P DESANTIS 14JAN04	NAME RECEPTACLE, FASTON, FLAG, .187 SERIES																			
<table border="0"> <tr><td>0 PLC</td><td>±</td><td>-</td></tr> <tr><td>1 PLC</td><td>±</td><td>-</td></tr> <tr><td>2 PLC</td><td>±</td><td>-</td></tr> <tr><td>3 PLC</td><td>±</td><td>.010</td></tr> <tr><td>4 PLC</td><td>±</td><td>-</td></tr> <tr><td>ANGLES</td><td>±</td><td>-</td></tr> </table>		0 PLC	±	-	1 PLC	±	-	2 PLC	±	-	3 PLC	±	.010	4 PLC	±	-	ANGLES	±	-	PRODUCT SPEC APPLICATION SPEC	SIZE A2	CAGE CODE 00779
0 PLC	±	-																				
1 PLC	±	-																				
2 PLC	±	-																				
3 PLC	±	.010																				
4 PLC	±	-																				
ANGLES	±	-																				
MATERIAL 082 CR STEEL	FINISH .000150 MIN NICKEL	WEIGHT 0.000000	DRAWING NO C=1742049	RESTRICTED TO -																		
CUSTOMER DRAWING			SCALE 8:1	SHEET 1 of 1																		
			REV H2																			

1742049