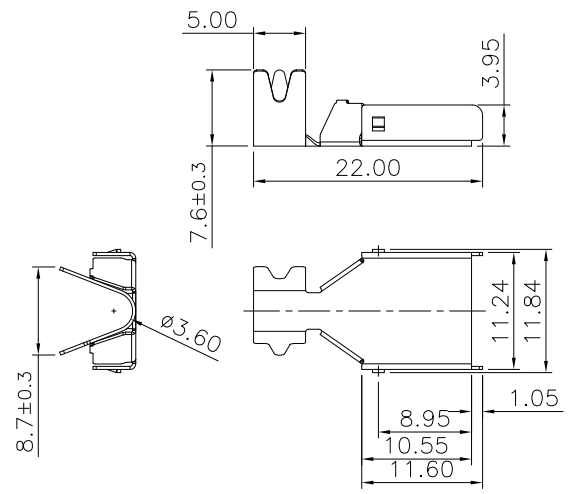


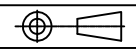
Specifications:  
 Current Rating: 1.5A AC,DC  
 Voltage Rating: 30V AC,DC  
 Contact Resistance: 30m ohm.Max  
 Insulation Resistance: 1000M ohm.Min  
 Withstanding Voltage: 500V AC/Minute  
 Operating Temperature Range:-25°C ~ +85°C

Material:  
 Insulator: PBT(UL94V-0)  
 Insulator Color: White  
 Contact: Brass  
 Plated: 30u" Gold Plated on Contact Area,  
 Tin Plated on Solder Tail.  
 Shell:SPCC With Nickel Plated



RoHS Compliant

				DRAWN:	GENERAL TOLERANCE: .X=±0.30 .XX=±0.20	<h1 style="color: red; text-align: center;">CnC Tech</h1> <p style="text-align: center;">Industrial Cable and Connector Technology</p>	
				CHECKED:	UNIT: MM		
					SCALE:	USB A Solder Type, 30u"	SIZE
A	17-MAY-2021			APPROVAL:	SHEET: 1 / 1	PART NO:	A4
REV	DATE	FILE	BY		PROJECTION:	1002-024-01300	



A  
B  
C  
D