



# MS86M Series

Ø86mm 3 color in 1 High Intensity LED Signal Lights

- 3 color in 1 LED Modular Component
- High brightness LED light
- Adjustable Sound level 10 ~ 100dB
- Flashing cycles : 2 patterns (selectable by a switch)



## Ordering Information

MS86M F 00 - RYG  
 ① ② ③

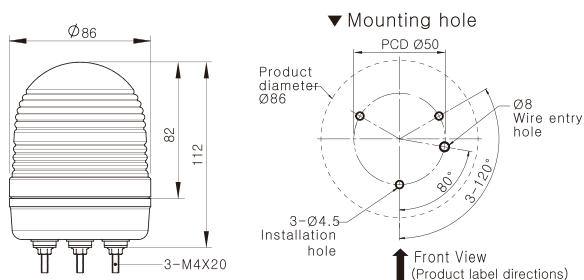
|                   |            |                                   |
|-------------------|------------|-----------------------------------|
| ①<br>Light Style  | <b>F</b>   | Steady & Flashing                 |
|                   | <b>B</b>   | Steady & Flashing w/Audible Alarm |
| ②<br>Power Supply | <b>00</b>  | 12-24V AC/DC                      |
|                   | <b>FF</b>  | 90 ~240V AC                       |
| ③<br>Colors       | <b>RYG</b> | Red, Yellow and Green             |
|                   | <b>RGB</b> | Red, Green and Blue               |

## Specifications

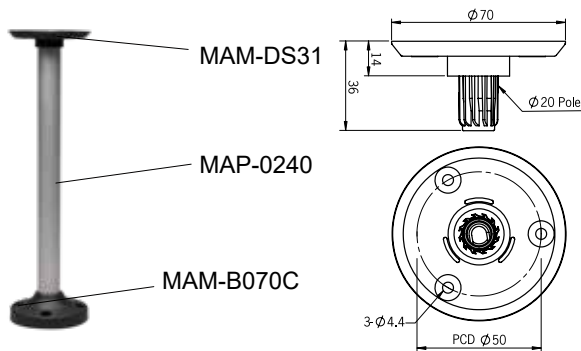
|                       |   |           |
|-----------------------|---|-----------|
| Lighting type         | Steady+Flashing w/Audible Alarm                         |           |
| Power Supply          | 12~24VAC/DC   | 90~240VAC |
| Current Consumption   | LED   | 0.6A      |
|                       | w/Alarm   | 0.23A     |
| Flash Rate            | F1: 80 ±10 flashes/minute<br>F3: 240 ±10 flashes/minute |           |
| Alarm Sound Level     | 10-100 ±5dB at 1m: Volume adjustable                    |           |
| Vibration             | 0.75mm at 10~55Hz                                       |           |
| Insulation Resistance | 100 MΩ minimum (500VDC mega)                            |           |
| Ambient Temperature   | -20~40°C  |           |
| Storage Temperature   | -40~70°C  |           |
| Ambient Humidity      | 45~85% RH   |           |
| Degree of Protection  | IP65  |           |
| Recommended Wire Size | UL1007/22AWG  |           |
| Weight                | 270g  |           |

## Dimensions

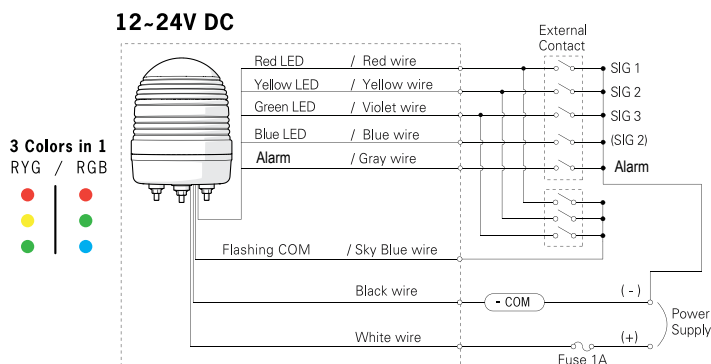
unit: mm



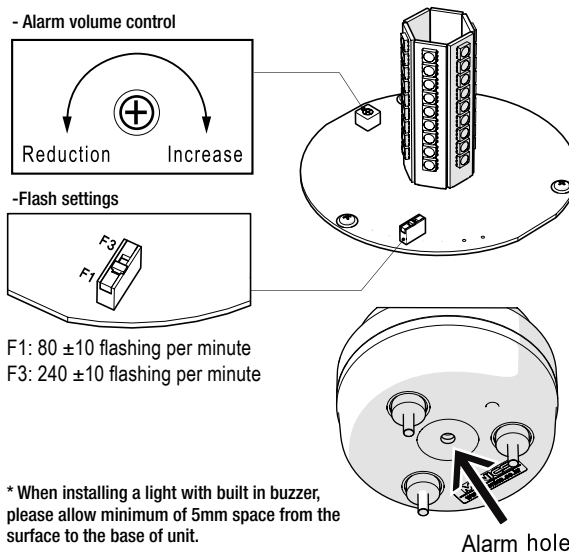
## MS86 Pole Mounting Option MAM-DS31 Dimensions



## Wiring Diagram



## Feature settings



See page 19 - 21  
for mounting options and accessories