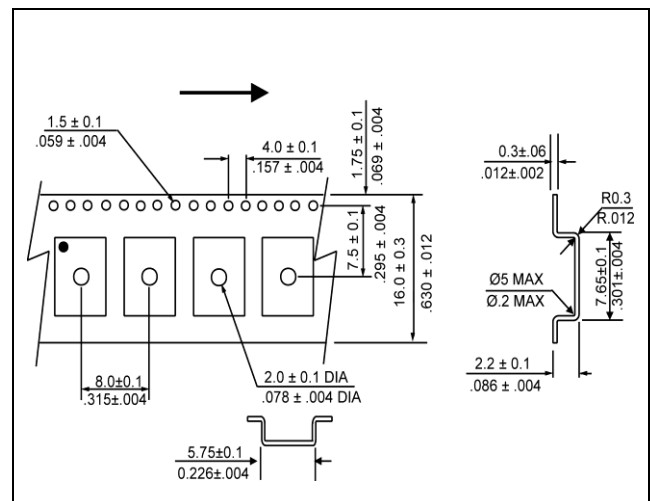
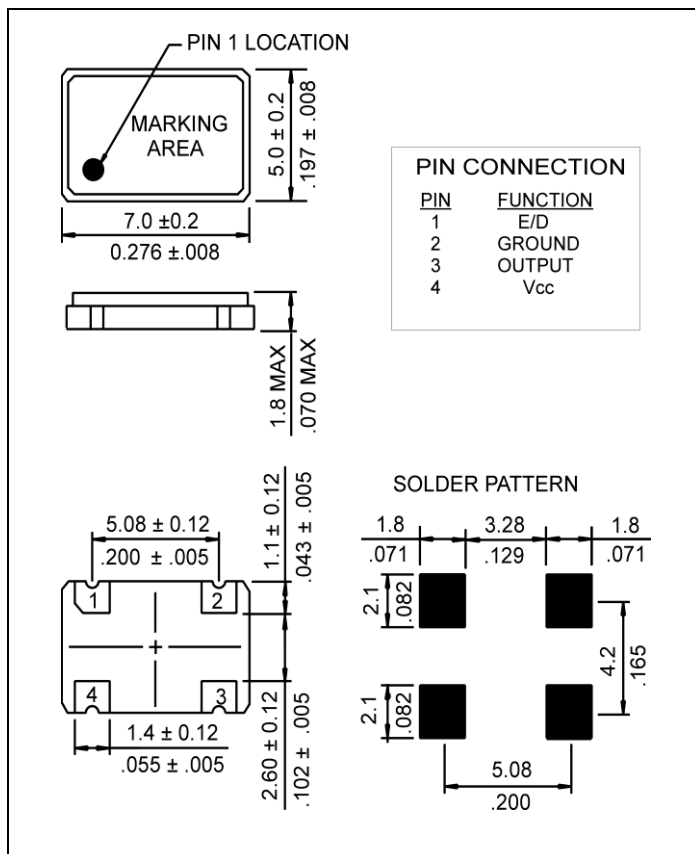


ELECTRICAL SPECIFICATION

| PARAMETER | SYMBOL | CONDITIONS | VALUE | UNIT |
|-------------------------------|------------------------------------|---|--------------------|------------|
| Frequency, nom | fo | - | 125.000 | MHz |
| Supply voltage, nom. | Vcc | Vcc ±10% | 3.3 | V |
| Supply current, max. | Is | Vcc=3.3 VDC; Ta=+25°C; Load=15 pF CMOS or 5 TTL MAX | 45 | mA |
| Output Voltage Levels | V _{OH} V _{OL} | Logic 1 Logic 0 | 2.8 MIN 0.5 MAX | VDC VDC |
| Duty cycle | DC | @ 50% of signal | 45...55 | % |
| Rise time / Fall time, max. | tr / tf | 20%~80% Vout, 80%~20% Vout, | 2 | ns |
| Jitter, RMS, max. | J | 1σ, 12KHz < F _J < 20MHz | 1.0 | ps |
| Overall freq. stability, max. | Δf/fc | Inclusive of 25° Tolerance, Operating Temperature Range, Voltage & Load Variations, Aging, Shock and Vibration. | ±50 | ppm |
| Output Enabled / Disabled | En Dis | Pin 1: High Voltage or No Connect, Pin 3 Enabled Pin 1: Ground, Pin 3 Disabled | 2.2 MIN 0.8 MAX | VDC VDC |
| Operating temperature range | Ta | - | -40...+85 | °C |
| Storage temperature range | T(stg) | - | -55...+125 | °C |

MECHANICAL SPECIFICATION



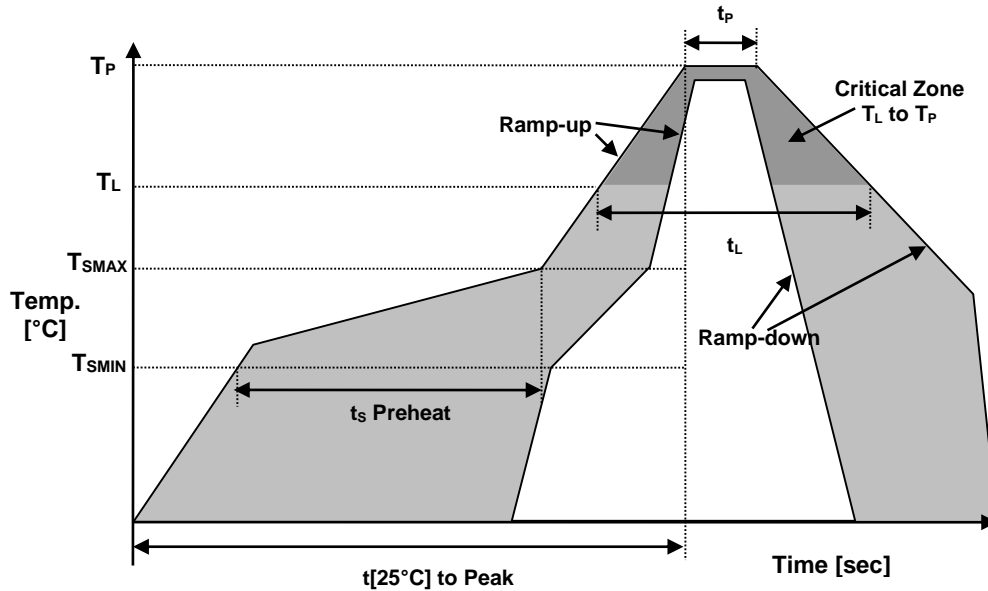
PACKAGING

254 mm REEL DIAMETER
16 mm TAPE WIDTH, 8 mm PITCH
QUANTITY: 1000 PIECES PER REEL

IN ACCORDANCE WITH EIA-481

OUTLINE TOLERANCE: ±0.015" / 0.4mm (Unless otherwise specified)

● REFLOW PROFILE



| Reflow profile | | |
|--|-------------------|--------------|
| Temperature Min Preheat | T _{SMIN} | 150°C |
| Temperature Max Preheat | T _{SMAX} | 200°C |
| Time (T _{SMIN} to T _{SMAX}) | t _s | 60-180 sec. |
| Temperature | T _L | 217°C |
| Peak Temperature | T _P | 260°C |
| Ramp-up rate | R _{UP} | 3°C/sec max. |
| Ramp-down rate | R _{DOWN} | 6°C/sec max. |
| Time within 5°C of Peak Temperature | t _p | 10 sec. |
| Time t[25°C] to Peak Temperature | t[25°C] to Peak | 480 sec. |
| Time | t _L | 60-150 sec. |

● ENVIRONMENTAL

| PARAMETER | VALUE |
|----------------------------|---------------|
| MOISTURE SENSITIVITY LEVEL | 1 |
| RoHS-2 | 6/6 LEAD FREE |
| REACH-SVHC | COMPLIANT |
| HALOGEN-FREE | COMPLIANT |
| TERMINATION FINISH | Au |
| UNIT WEIGHT (grams) | 0.155 |



MARKING

Rxx125T
•6BEyww

x – Internal Production ID code
y – Year code
w – Week code

| YEAR CODE | |
|-----------|------|
| Year | Code |
| 2011 | 1 |
| 2012 | 2 |
| 2013 | 3 |
| 2014 | 4 |
| 2015 | 5 |
| 2016 | 6 |
| 2017 | 7 |
| 2018 | 8 |
| 2019 | 9 |

| ALPHA WEEK CODE TABLE | | | | | |
|-----------------------|------|------|------|------|------|
| Week | Code | Week | Code | Week | Code |
| 1 | a | 19 | s | 37 | K |
| 2 | b | 20 | t | 38 | L |
| 3 | c | 21 | u | 39 | M |
| 4 | d | 22 | v | 40 | N |
| 5 | e | 23 | w | 41 | O |
| 6 | f | 24 | x | 42 | P |
| 7 | g | 25 | y | 43 | Q |
| 8 | h | 26 | z | 44 | R |
| 9 | i | 27 | A | 45 | S |
| 10 | j | 28 | B | 46 | T |
| 11 | k | 29 | C | 47 | U |
| 12 | l | 30 | D | 48 | V |
| 13 | m | 31 | E | 49 | W |
| 14 | n | 32 | F | 50 | X |
| 15 | o | 33 | G | 51 | Y |
| 16 | p | 34 | H | 52 | Z |
| 17 | q | 35 | I | | |
| 18 | r | 36 | J | | |

APPROVAL

| | |
|--------------|------------------------|
| DRAWN BY: | KJackson, July 1, 2014 |
| APPROVED BY: | KJackson, July 1, 2014 |
| REVISION: | A, Initial Release |