

# Product Document



## User Guide

UG000452

# AS62xx

## Eval Kit

AS621x-EK, AS622x-EK

v2-00 • 2020-Nov-19

---

---

# Content Guide

---

<b>1</b>	<b>Introduction .....</b>	<b>3</b>	4.2	Temperature Register.....	9
1.1	Kit Content.....	3	<b>5</b>	<b>Schematics, Layers and BOM.....</b>	<b>11</b>
1.2	Ordering Information .....	3	5.1	Schematics .....	11
<b>2</b>	<b>Getting Started .....</b>	<b>4</b>	5.2	Layout and Board Dimensions .....	11
<b>3</b>	<b>Hardware Description .....</b>	<b>5</b>	5.3	Bill of Materials .....	13
3.1	Hardware Architecture.....	5	<b>6</b>	<b>Revision Information .....</b>	<b>14</b>
3.2	AS62xx Configuration.....	6	<b>7</b>	<b>Legal Information.....</b>	<b>15</b>
3.3	Power Supply and Connections .....	7			
<b>4</b>	<b>Software Description .....</b>	<b>8</b>			
4.1	Index Register .....	9			

# 1 Introduction

The AS62xx Eval Kit is a small PCB allowing a simple and quick evaluation of the AS62xx digital temperature sensors without the need to design a custom PCB. This small form factor board is fully assembled with the AS62xx temperature sensor and its necessary external components

## 1.1 Kit Content

This kit contains following material listed in

**Figure 1:**  
**Kit Content**

Pos.	Item	Comment
1	AS62xx-EK	Eval Kit

## 1.2 Ordering Information

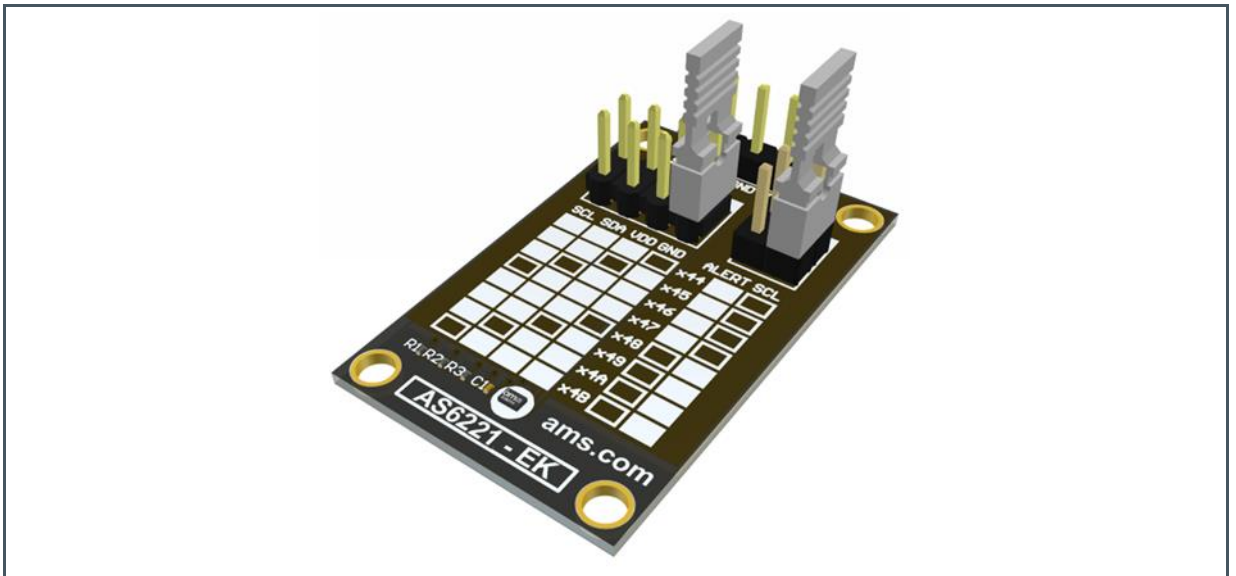
**Figure 2:**  
**Ordering Information**

Ordering Code	Description
AS6221-EK	AS6221 Eval Kit up to 0.09 °C accuracy
AS6212-EK	AS6212 Eval Kit up to 0.2 °C accuracy
AS6214-EK	AS6214 Eval Kit up to 0.4 °C accuracy
AS6218-EK	AS6218 Eval Kit up to 0.8 °C accuracy

## 2 Getting Started

The AS62xx Eval Kit is ideal for rapid setup of a digital temperature sensor. To get started connect the board to your microcontroller as described in Figure 4. Add a command in your source code to request two bytes from the selected I<sup>2</sup>C address. Finally convert the returned data as described in chapter 4.2 to get the actual temperature value.

Figure 3:  
Eval Kit



### 3 Hardware Description

The P1 connector does provide all relevant signals, which can be easily wired to a microcontroller and to the power supply.

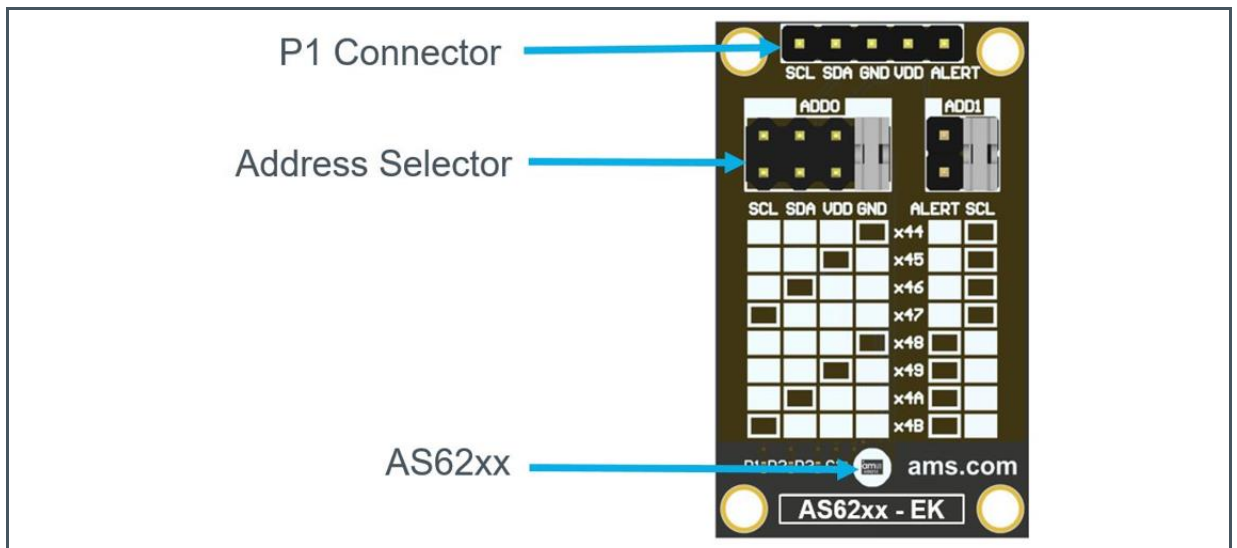
**Figure 4:**  
Eval Kit Pinout Caption

Pin	Symbol	Description	Info
1	SCL	I <sup>2</sup> C clock	Use R1 if pull-up is required
2	SDA	I <sup>2</sup> C data	Use R2 if pull-up is required
3	GND	Ground	
4	VDD	Power supply	According datasheet
5 <sup>(1)</sup>	ALERT	Digital output pin	Alert interrupt output

(1) Do not connect pin 5 to VSS. This pin should only be used for the ALERT functionality

#### 3.1 Hardware Architecture

**Figure 5:**  
AS62xx Eval Kit



R1, R2 and R3 are pull-up resistors for the I<sup>2</sup>C interface and the ALERT pin. Depending on the application, it is recommended to either populate the decoupling capacitor C1.

### 3.2 AS62xx Configuration

With the address selector, it is possible to choose the I<sup>2</sup>C address of the device. The included jumpers are an easy way of setting the I<sup>2</sup>C address of the sensor. Both address selectors must not be left open.

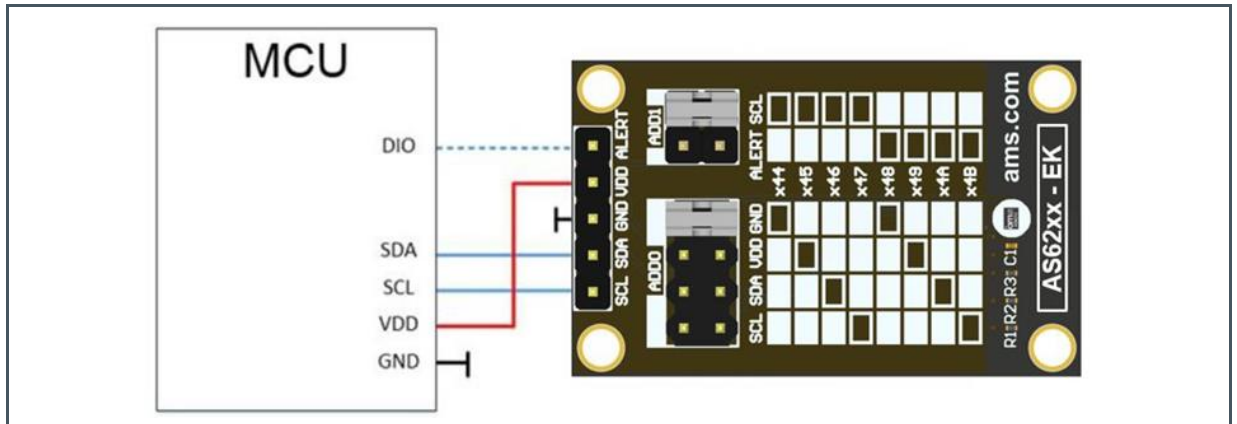
Figure 6:  
I<sup>2</sup>C Address

Jumper Settings	Address Selector ADD0	Address Selector ADD1	Device Address Binary	HEX
	GND	SCL	100 0100	0x44
	VDD	SCL	100 0101	0x45
	SDA	SCL	100 0110	0x46
	SCL	SCL	100 0111	0x47
	GND	ALERT functionality	100 1000	0x48
	VDD	ALERT functionality	100 1001	0x49
	SDA	ALERT functionality	100 1010	0x4A
	SCL	ALERT functionality	100 1011	0x4B

### 3.3 Power Supply and Connections

The PCB has to be connected to an external microcontroller. P1 is populated with a 1x5 pin header and is required for power supply as well as I<sup>2</sup>C communication. In addition to that, it can be used to monitor the interrupt status via pin 5 (IRQ).

Figure 7:  
MCU and AS62xx Connections

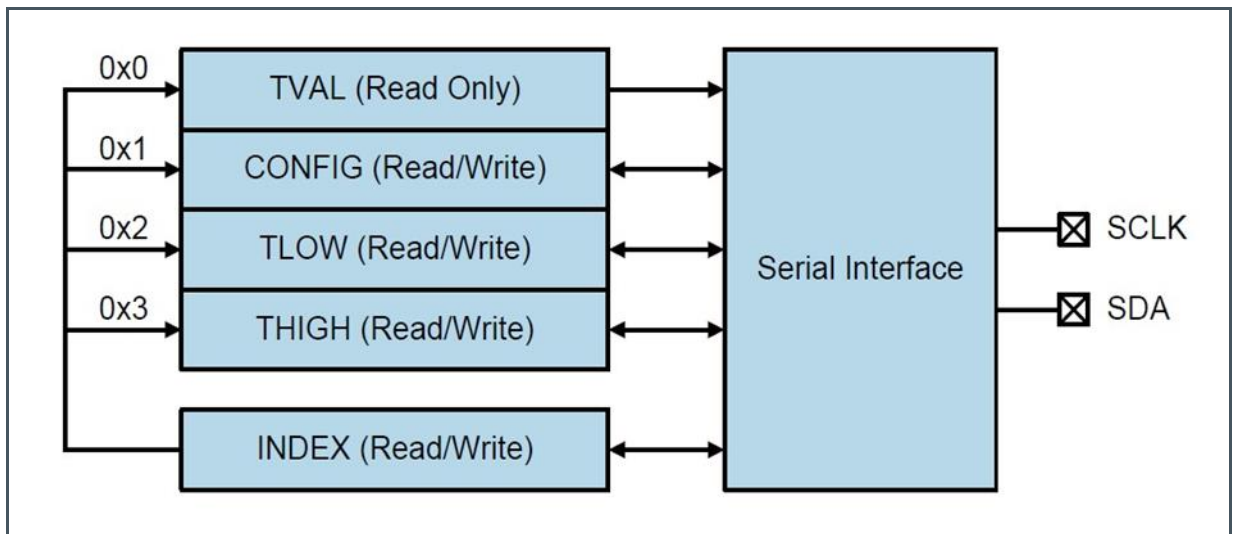




## 4 Software Description

The AS62xx has 4 data registers. With the use of the index register, it is possible to address the specific data register. When powered up the address register is set to 0x0.

**Figure 8:**  
Data Registers



For additional configuration settings, the Config register (0x1) has to be addressed. Please refer to the datasheet for details.

**Figure 9:**  
Configuration Register

Address	Symbol	Register	Description
0x0	TVAL		Contains the temperature value
0x1	CONFIG	Configuration Register	Configuration settings of the temperature sensor
0x2	TLOW	TLOW Register	Low temperature threshold value
0x3	THIGH	THIGH Register	High temperature threshold value

## 4.1 Index Register

The index register contains 8-bit, but only D0 and D1 are used.

**Figure 10:**  
Index Register

Bit	D7	D6	D5	D4	D3	D2	D1	D0
Value	0	0	0	0	0	0	Address	Bits

## 4.2 Temperature Register

**Figure 11:**  
Temperature Register

D15	D14	D13	D12	D11	D10	D9	D8	D7	D6	D5	D4	D3	D2	D1	D0
T15	T14	T13	T12	T11	T10	T9	T8	T7	T6	T5	T4	T3	T2	T1	T0
MSB Byte								LSB Byte							

The temperature register contains the digitally converted temperature value. It consists of 2 bytes and can be converted according to the following formula:

Positive values= |Value| / LSB

Negative values= Complement( |Value| / LSB ) + 1

### Example +75°C

75°C / 0.0078125 °C = 9600 = Binary 0010 0101 1000 0000 = Hex 2800

### Example -40°C

$| -40^{\circ}\text{C} / 0.0078125^{\circ}\text{C} + 1 = 5120 + 1 = \text{Binary } 0001\ 0100\ 0000\ 0000 + 1 = 1110\ 1100\ 0000\ 0000 =$

*Hex EC00*

**Figure 12:**  
**Temperature Conversion Examples**

Temperature (°C)	Digital Output (Binary)	Digital Output (Hex)
100.0	0011 0010 0000 0000	3200
75.0	0010 0101 1000 0000	2580
50.0	0001 1001 0000 0000	1900
25.0	0000 1100 1000 0000	0C80
0.125	0000 0000 0001 0000	0010
0.0078125	0000 0000 0000 0001	0001
0.0	0000 0000 0000 0000	0000
-0.0078125	1111 1111 1111 1111	FFFF
-0.125	1111 1111 1111 0000	FFF0
-25.0	1111 0011 1000 0000	F380
-40.0	1110 1100 0000 0000	EC00

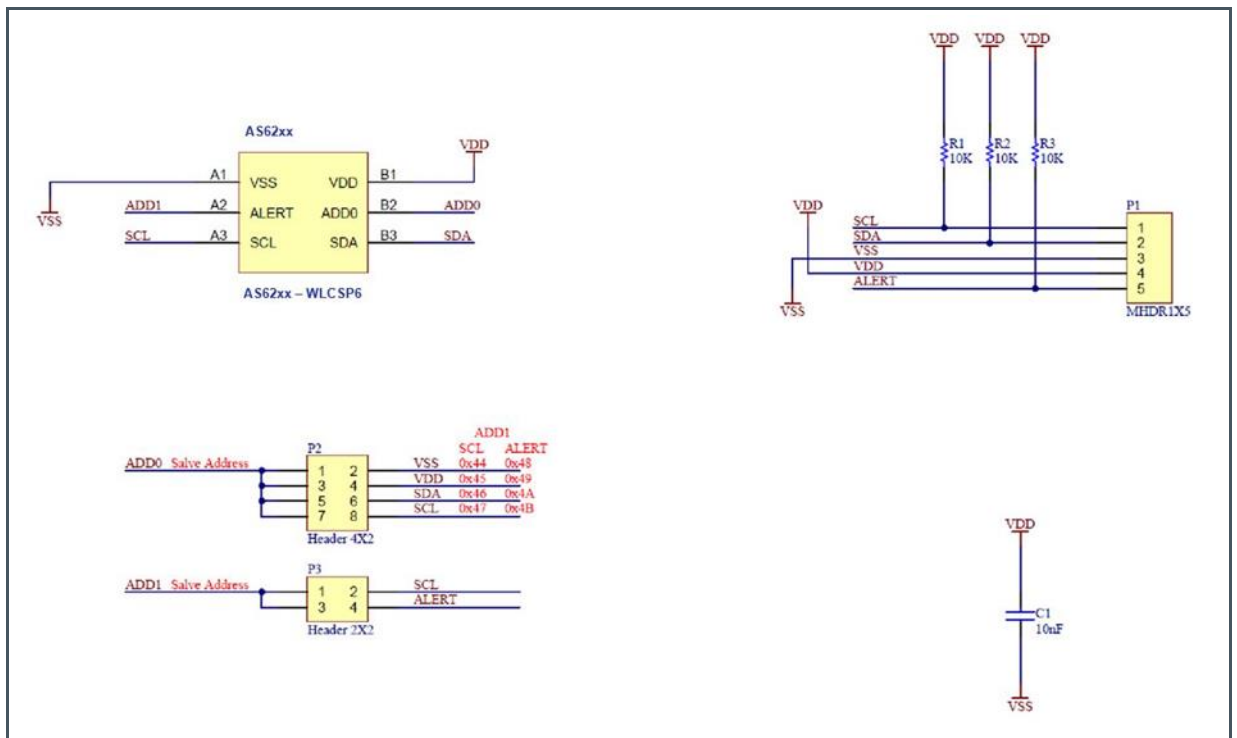
# 5 Schematics, Layers and BOM

The schematics, layout and BOM of the adapter board are shown below for reference.

## 5.1 Schematics

The schematics of the board is shown below in Figure 13

**Figure 13:**  
Schematics



## 5.2 Layout and Board Dimensions

The PCB layout is shown below in Figure 14 and Figure 15

Figure 14:  
Top Layer

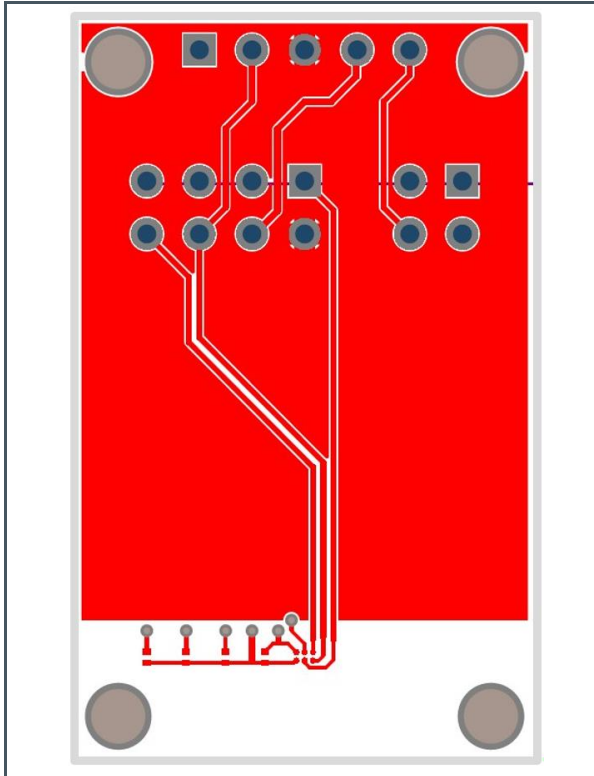
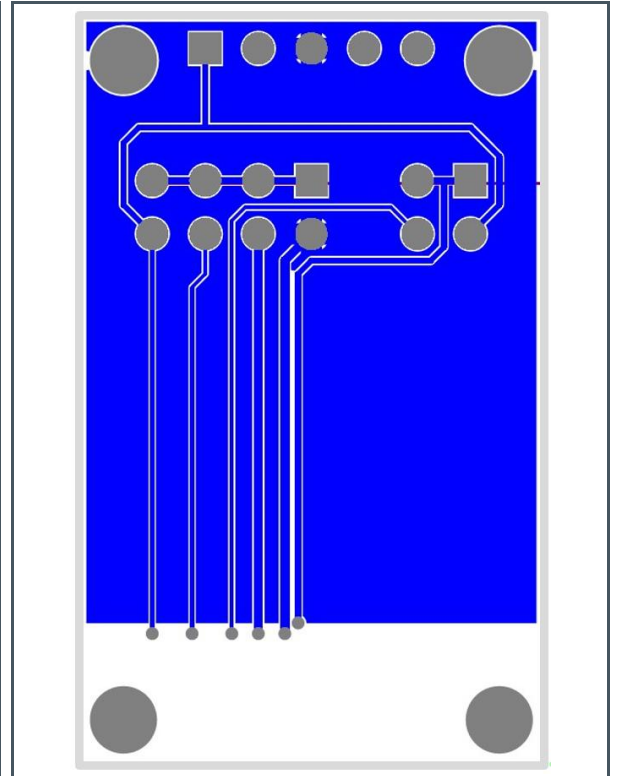
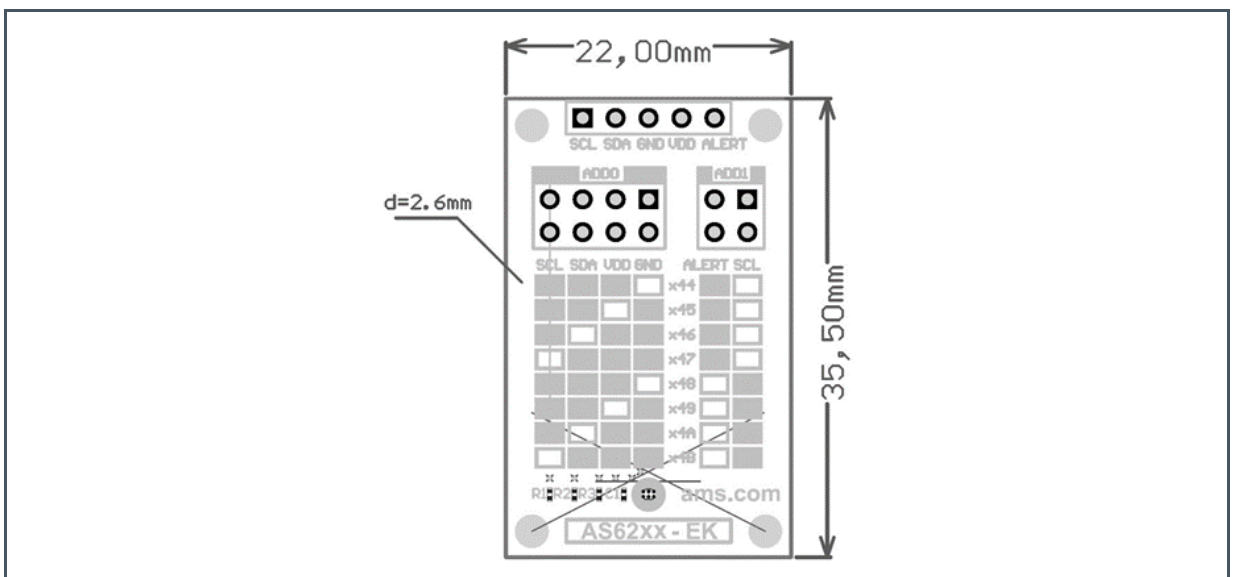


Figure 15:  
Bottom Layer



The board dimensions are shown below in Figure 16

Figure 16:  
Dimensions



## 5.3 Bill of Materials

The BOM of the board is shown below in Figure 17

**Figure 17:**  
**BOM**

Position	Name	Value
1	R3	10 K
2	R2	10 K
3	R1	10 K
4	P3	Header 2X2
5	P2	Header 4X2
6	P1	Header 1X5
7	C1	10 nF
8	AS62xx	AS62xx-WLCSP6

---

## 6 Revision Information

---

Changes from previous version to current revision v2-00	Page
---	------

Added ordering code for AS6221 Eval Kit	
---	--

---

- Page and figure numbers for the previous version may differ from page and figure numbers in the current revision.
- Correction of typographical errors is not explicitly mentioned.

# 7 Legal Information

## Copyrights & Disclaimer

Copyright ams AG, Tobelbader Strasse 30, 8141 Premstaetten, Austria-Europe. Trademarks Registered. All rights reserved. The material herein may not be reproduced, adapted, merged, translated, stored, or used without the prior written consent of the copyright owner.

Demo Kits, Evaluation Kits and Reference Designs are provided to recipient on an "as is" basis for demonstration and evaluation purposes only and are not considered to be finished end-products intended and fit for general consumer use, commercial applications and applications with special requirements such as but not limited to medical equipment or automotive applications. Demo Kits, Evaluation Kits and Reference Designs have not been tested for compliance with electromagnetic compatibility (EMC) standards and directives, unless otherwise specified. Demo Kits, Evaluation Kits and Reference Designs shall be used by qualified personnel only.

ams AG reserves the right to change functionality and price of Demo Kits, Evaluation Kits and Reference Designs at any time and without notice.

Any express or implied warranties, including, but not limited to the implied warranties of merchantability and fitness for a particular purpose are disclaimed. Any claims and demands and any direct, indirect, incidental, special, exemplary or consequential damages arising from the inadequacy of the provided Demo Kits, Evaluation Kits and Reference Designs or incurred losses of any kind (e.g. loss of use, data or profits or business interruption however caused) as a consequence of their use are excluded.

ams AG shall not be liable to recipient or any third party for any damages, including but not limited to personal injury, property damage, loss of profits, loss of use, interruption of business or indirect, special, incidental or consequential damages, of any kind, in connection with or arising out of the furnishing, performance or use of the technical data herein. No obligation or liability to recipient or any third party shall arise or flow out of ams AG rendering of technical or other services.

## RoHS Compliant & ams Green Statement

**RoHS Compliant:** The term RoHS compliant means that ams AG products fully comply with current RoHS directives. Our semiconductor products do not contain any chemicals for all 6 substance categories plus additional 4 substance categories (per amendment EU 2015/863), including the requirement that lead not exceed 0.1% by weight in homogeneous materials. Where designed to be soldered at high temperatures, RoHS compliant products are suitable for use in specified lead-free processes.

**ams Green (RoHS compliant and no Sb/Br/Cl):** ams Green defines that in addition to RoHS compliance, our products are free of Bromine (Br) and Antimony (Sb) based flame retardants (Br or Sb do not exceed 0.1% by weight in homogeneous material) and do not contain Chlorine (Cl) not exceed 0.1% by weight in homogeneous material).

**Important Information:** The information provided in this statement represents ams AG knowledge and belief as of the date that it is provided. ams AG bases its knowledge and belief on information provided by third parties, and makes no representation or warranty as to the accuracy of such information. Efforts are underway to better integrate information from third parties. ams AG has taken and continues to take reasonable steps to provide representative and accurate information but may not have conducted destructive testing or chemical analysis on incoming materials and chemicals. ams AG and ams AG suppliers consider certain information to be proprietary, and thus CAS numbers and other limited information may not be available for release.

### Headquarters

ams AG  
Tobelbader Strasse 30  
8141 Premstaetten  
Austria, Europe  
Tel: +43 (0) 3136 500 0

Please visit our website at [www.ams.com](http://www.ams.com)

Buy our products or get free samples online at [www.ams.com/Products](http://www.ams.com/Products)

Technical Support is available at [www.ams.com/Technical-Support](http://www.ams.com/Technical-Support)

Provide feedback about this document at [www.ams.com/Document-Feedback](http://www.ams.com/Document-Feedback)

For sales offices, distributors and representatives go to [www.ams.com/Contact](http://www.ams.com/Contact)

For further information and requests, e-mail us at [ams\\_sales@ams.com](mailto:ams_sales@ams.com)