

REV	DESCRIPTION	DATE	APPROVED

REV	DESCRIPTION	DATE	APPROVED

REV	DESCRIPTION	DATE	APPROVED

REV	DESCRIPTION	DATE	APPROVED

REV	DESCRIPTION	DATE	APPROVED

REV	DESCRIPTION	DATE	APPROVED

REV	DESCRIPTION	DATE	APPROVED

REV	DESCRIPTION	DATE	APPROVED

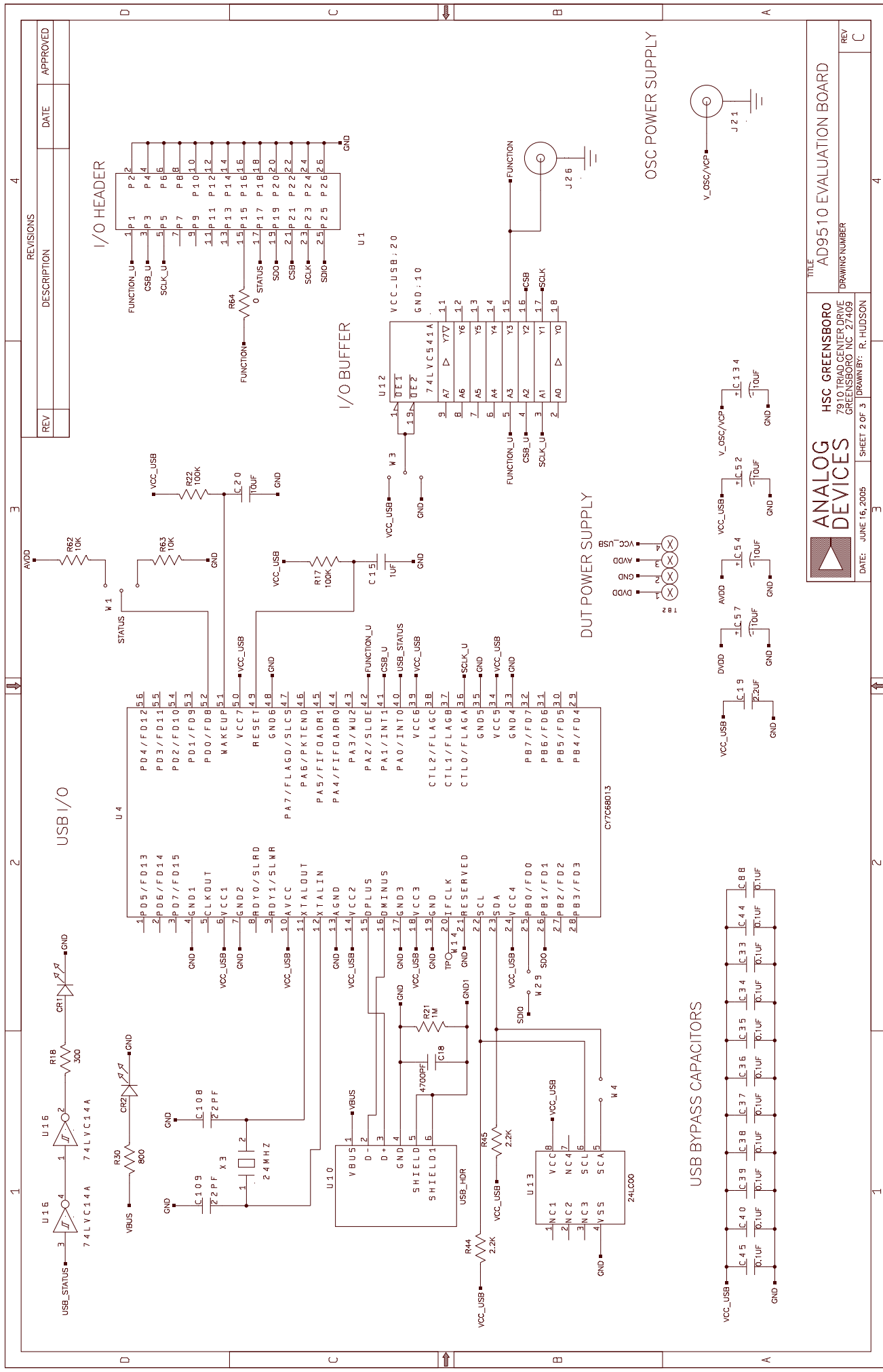
ANALOG DEVICES

DATE: JUNE 16, 2005 SHEET 1 OF 3 DRAWN BY: R. HUDSON

HSC GREENSBORO
7010 TRIM CENTER DRIVE
GREENSBORO, NC 27409

TITLE: AD9510 EVALUATION BOARD

REV C



REV	DESCRIPTION	DATE	APPROVED

REV	DESCRIPTION	DATE	APPROVED

REV	DESCRIPTION	DATE	APPROVED

REV	DESCRIPTION	DATE	APPROVED

REV	DESCRIPTION	DATE	APPROVED

REV	DESCRIPTION	DATE	APPROVED

REV	DESCRIPTION	DATE	APPROVED

REV	DESCRIPTION	DATE	APPROVED

REV	DESCRIPTION	DATE	APPROVED

REV	DESCRIPTION	DATE	APPROVED

REV	DESCRIPTION	DATE	APPROVED

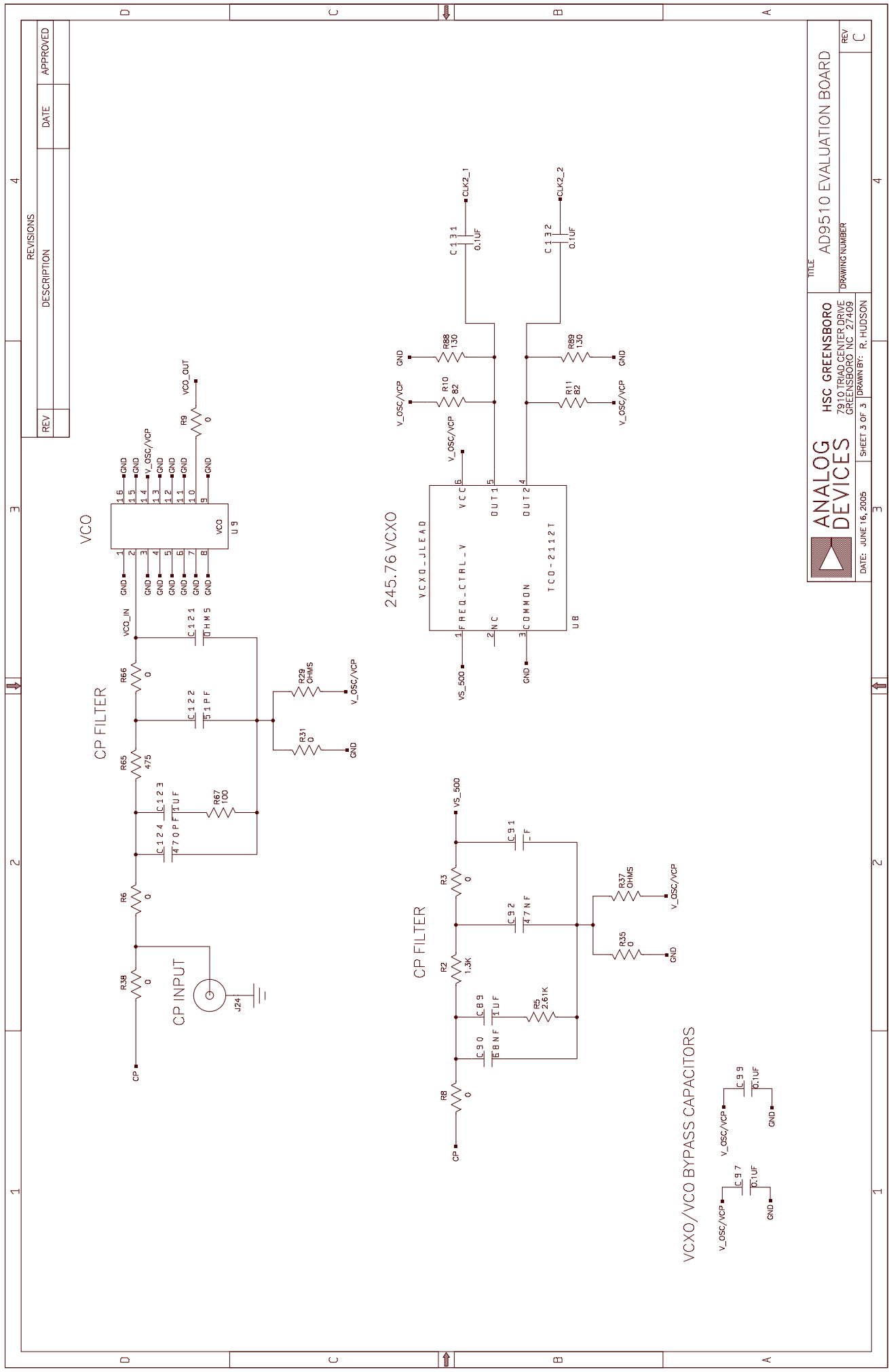
REV	DESCRIPTION	DATE	APPROVED

REV	DESCRIPTION	DATE	APPROVED

REV	DESCRIPTION	DATE	APPROVED

REV	DESCRIPTION	DATE	APPROVED

ANALOG DEVICES
 HSC GREENSBORO
 7010 TRIM CENTER DRIVE
 GREENSBORO, NC 27409
 DRAWN BY: R. HUDSON
 SHEET 2 OF 3
 DATE: JUNE 16, 2005
 TITLE: AD9510 EVALUATION BOARD
 DRAWING NUMBER:



REV	DESCRIPTION	DATE	APPROVED

1	2	3	4
---	---	---	---

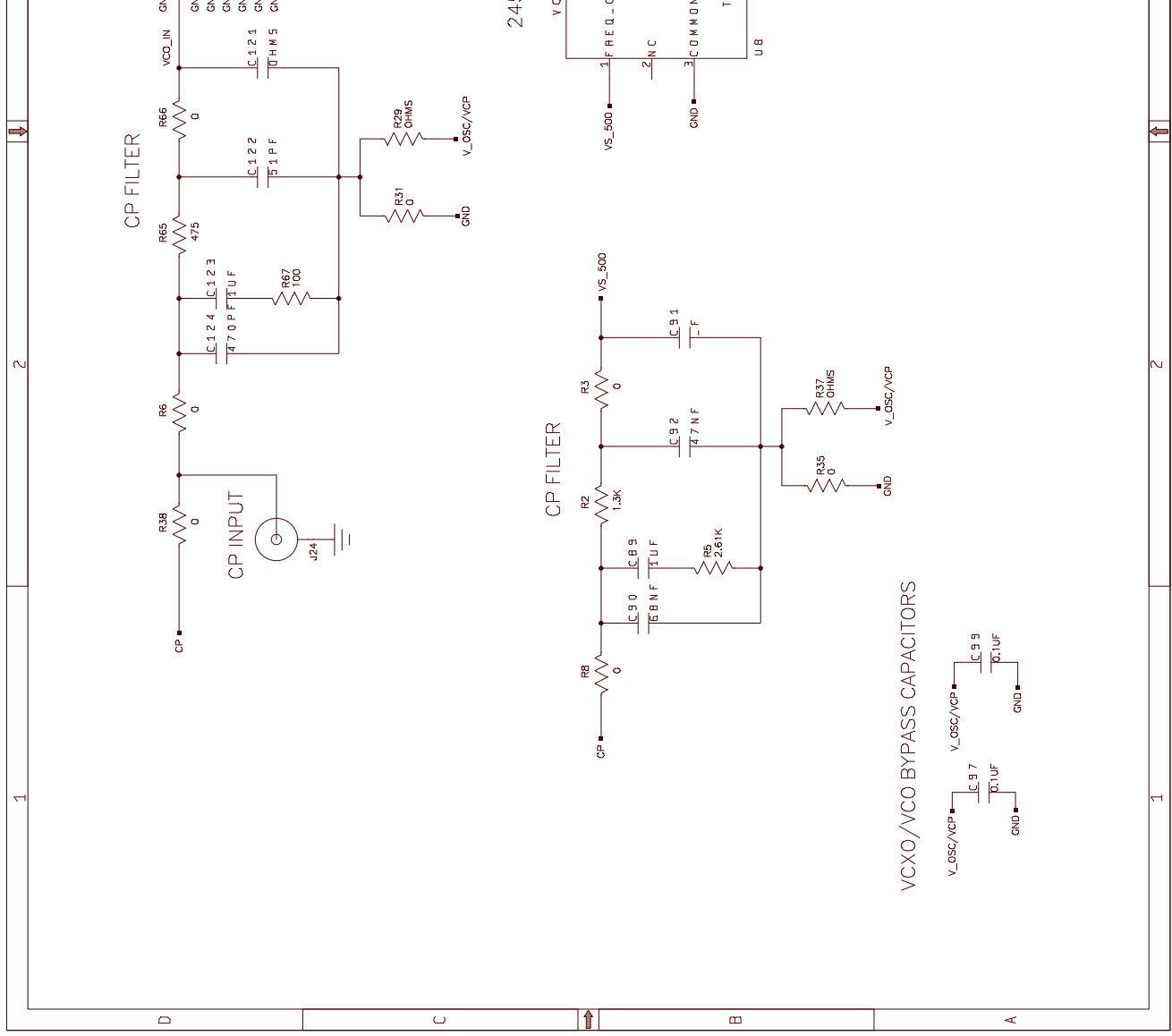
ANALOG DEVICES

DATE: JUNE 16, 2005 SHEET 3 OF 3 DRAWN BY: R. HUDSON

HSC GREENSBORO
7010 TRIM CENTER DRIVE
GREENSBORO, NC 27409

TITLE: AD9510 EVALUATION BOARD
DRAWING NUMBER

REV C



1	2	3	4
---	---	---	---