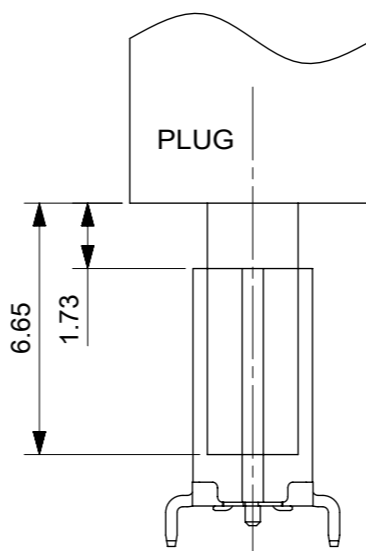
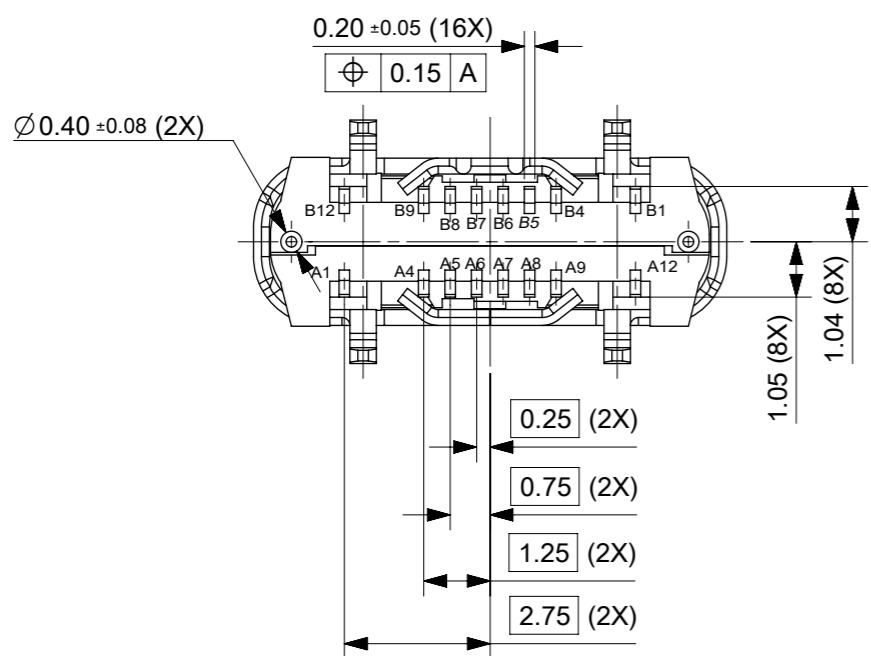


USB TYPE-C PIN ASSIGNMENTS

PIN NUMBER	SIGNAL NAME	PIN NUMBER	SIGNAL NAME
A1	GND	B12	GND
A4	VBUS	B9	VBUS
A5	CC1	B8	SBU2
A6	Dp1	B7	Dn2
A7	Dn1	B6	Dp2
A8	SBU1	B5	CC2
A9	VBUS	B4	VBUS
A12	GND	B1	GND



FEMALE AND MALE MATCHING DRAWING

THIS DRAWING CONTAINS INFORMATION THAT IS PROPRIETARY TO MOLEX ELECTRONIC TECHNOLOGIES, LLC AND SHOULD NOT BE USED WITHOUT WRITTEN PERMISSION

DIMENSION UNITS	SCALE	CURRENT REV DESC: PCB PIN DEFINITION CORRECTION ERROR		<b>molex</b>		
mm	1:1					
GENERAL TOLERANCES (UNLESS SPECIFIED)		EC NO: 740234		TYPE C 16 PIN VERTICAL SMT L=6.4		
ANGULAR TOL ± 3.0°		DRWN: DARIEY		2023/02/20		
4 PLACES ±		CHK'D: RL109		2023/03/17		
3 PLACES ± 0.1		APPR: RL109		2023/03/17		
2 PLACES ± 0.2		INITIAL REVISION:		PRODUCT CUSTOMER DRAWING		
1 PLACE ± 0.3		DRWN: RZHANG		DOCUMENT NUMBER		DOC TYPE
0 PLACES ±		APPR: AYIN		2171820001		DOC PART
DRAFT WHERE APPLICABLE MUST REMAIN WITHIN DIMENSIONS		THIRD ANGLE PROJECTION	DRAWING	SERIES	MATERIAL NUMBER	CUSTOMER
			A3-SIZE	217182	2171820001	REVISION
						1 OF 2

NOTES:

1.MATERIAL SPECIFICATION:

- 1.1.HOUSING:HIGH TEMPERATURE RESISTANT PLASTIC,UL94 V-0.
- 1.2.CONTACTS:COPPER ALLOY
- 1.3.MIDDLE CLIP: STAINLESS STEEL
- 1.4.SHELL: STAINLESS STEEL

2.PLATING:

- 2.1 TERMINAL:OVERALL PLATING Ni BASE 50u' MIN.  
FUNCTIONAL AREA Au PLATING G/F  
SOLDER AREA Au PLATING G/F

- 2.2. SHELL: 50u' NICKEL PLATING ON SOLDERING AREA.

- 2.3. MIDDLE CLIP :CLEANING

- 3. PRODUCT SPEC: 2169900001

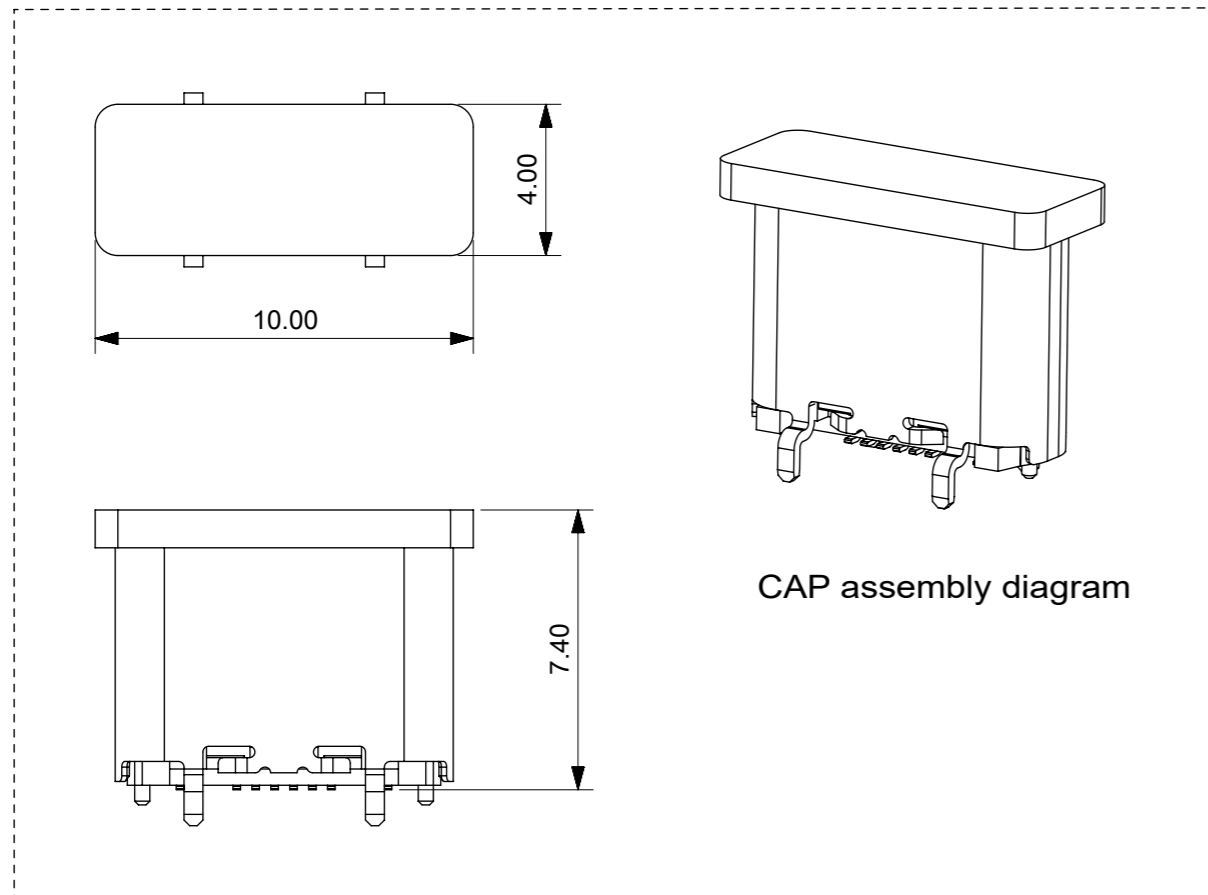
- 4. PACKAGE SPEC:2171820001PDDPK1

- 5. PRODUCT COMPLIANT TO RIHS DIRECTIVE 2011/95/EU

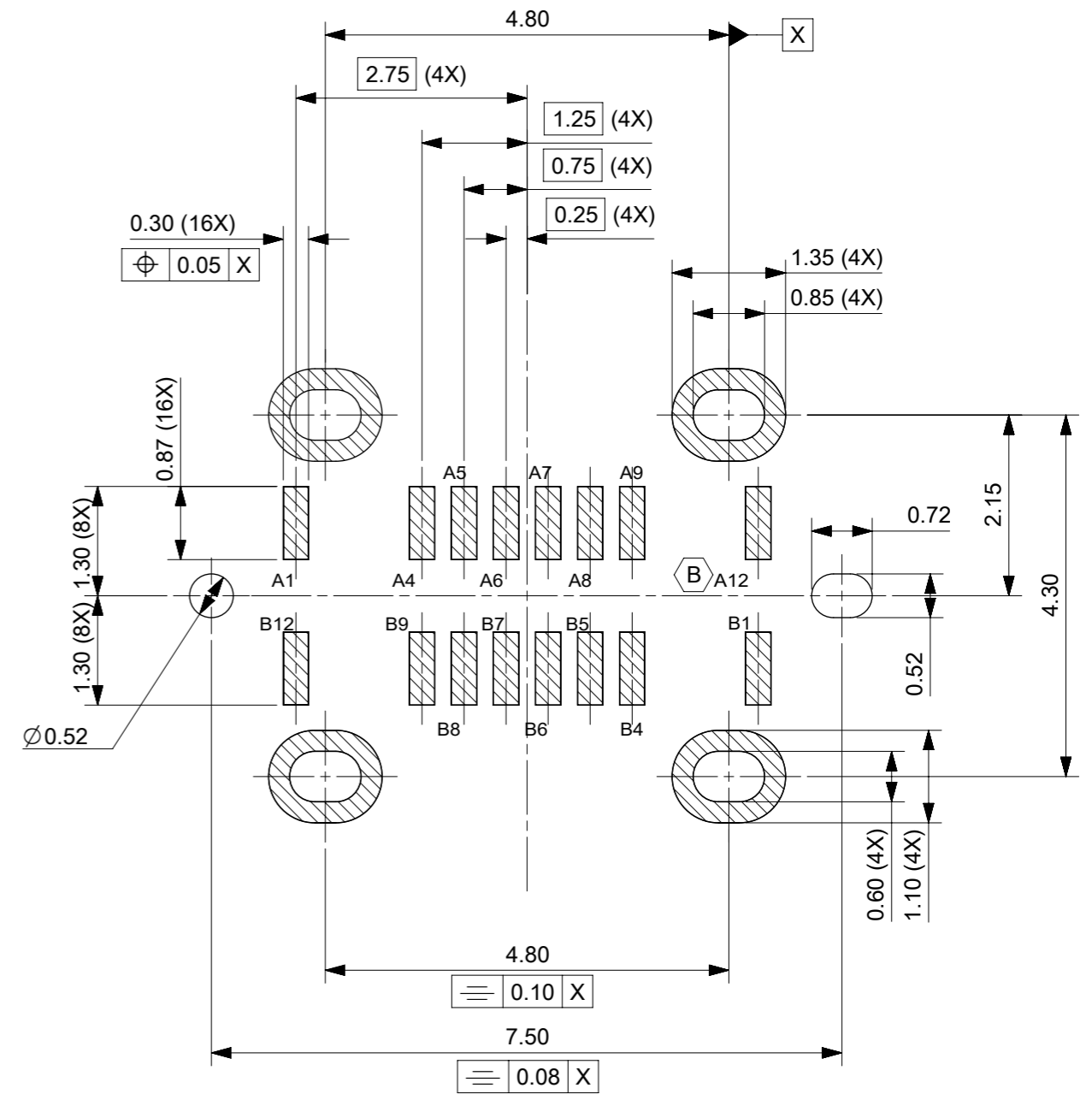
- 6. PLEASE CONTACT YOUR SALES REPRESENTATIVE IF INTENDED FOR AUTOMOTIVE

- 7. DATE CODE: YY WW D

YEAR WEEK DAY



CAP assembly diagram



RECOMMENDED PCB LAYOUT (TOP VIEW)  
THICKNESS IS 0.8MM, DEFULT TOLERANCE IS ±0.05

THIS DRAWING CONTAINS INFORMATION THAT IS PROPRIETARY TO MOLEX ELECTRONIC TECHNOLOGIES, LLC AND SHOULD NOT BE USED WITHOUT WRITTEN PERMISSION									
DIMENSION UNITS	SCALE	CURRENT REV DESC: PCB PIN DEFINITION CORRECTION ERROR							
mm	1:1								
GENERAL TOLERANCES (UNLESS SPECIFIED)									
ANGULAR TOL	± 3.0°	TYPE C 16 PIN VERTICAL SMT L=6.4							
4 PLACES	±	PRODUCT CUSTOMER DRAWING							
3 PLACES	± 0.1	DOCUMENT NUMBER							
2 PLACES	± 0.2	2171820001							
1 PLACE	± 0.3	DOC TYPE							
0 PLACES	±	PSD							
DRAFT WHERE APPLICABLE MUST REMAIN WITHIN DIMENSIONS		THIRD ANGLE PROJECTION	DRAWING	SERIES	MATERIAL NUMBER	CUSTOMER	REVISION		
			A3-SIZE	217182	2171820001		000	B	2 OF 2