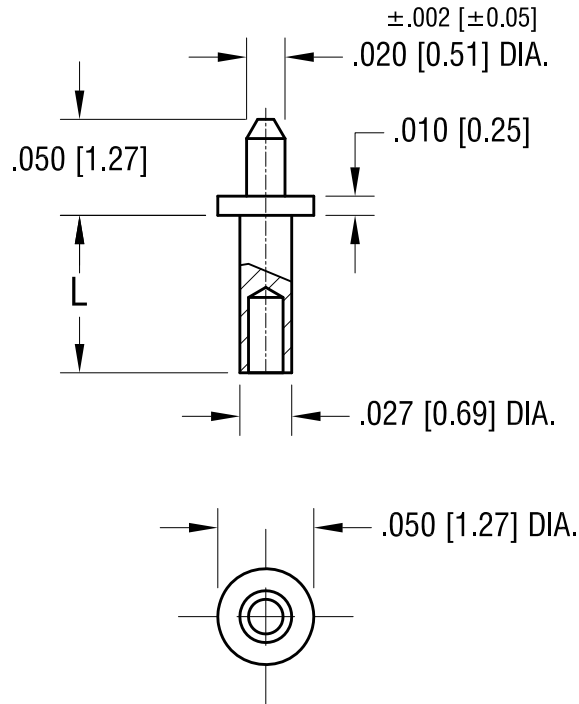


THIS DOCUMENT IS THE PROPERTY OF
KEYSTONE ELECTRONICS CORP. AND
SHALL NOT BE REPRODUCED, DISTRIBUTED
OR USED AS A BASIS FOR MANUFACTURE
WITHOUT PRIOR WRITTEN PERMISSION
FROM KEYSTONE ELECTRONICS CORP.

ACTUAL SIZE



PART NO.	'L' DIM.
1372-1	.051 [1.30]
1372-2	.082 [2.08]

NOTE:
1. MOUNTING HOLE .031 [0.78] DIA.

KEYSTONE ELECTRONICS CORP.			
www.keyelco.com • NEW HYDE PARK, NY 11040 • Tel (516) 328-7500			
PART NAME MICRO PIN, SWAGE MOUNT			
MATERIAL BRASS			
FINISH GOLD PLATE		DRN BY BOONE	DATE 2.22.07
		APP'D RH	SCALE 10X
4.16.08	CHANGE AS PER ECN 08-101	A	
DATE	DESCRIPTION	REV.	
TOLERANCES INCH [MM] DECIMAL ± .005 [± 0.13] ANGULAR ± 1° UNLESS OTHERWISE SPECIFIED		CODE C	DWG NO. 1372-

4.16.08	CHANGE AS PER ECN 08-101	A
DATE	DESCRIPTION	REV.