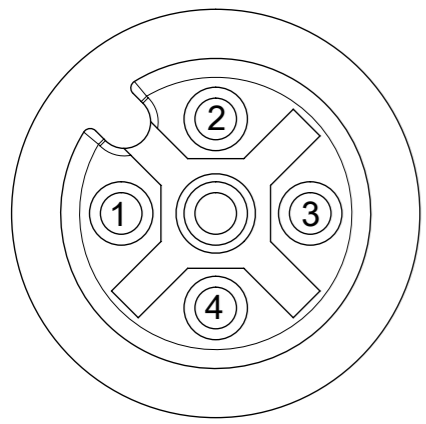


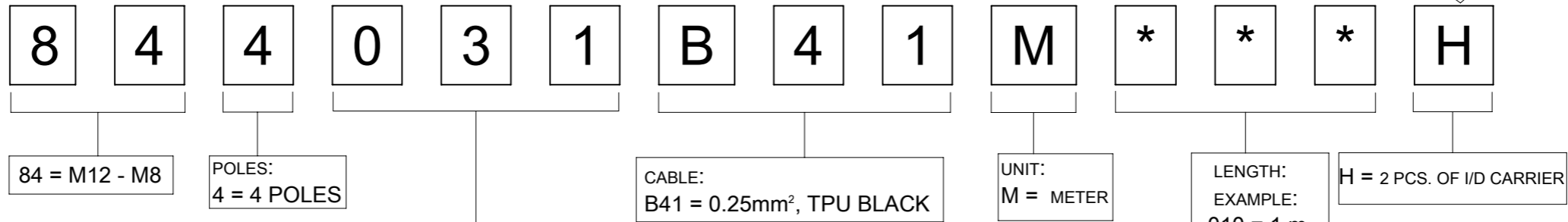
M12 4 POL



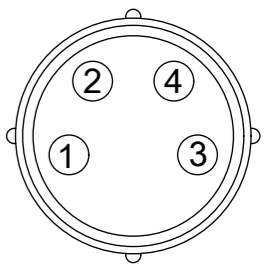
VIEW FROM FRONT SIDE

PIN	WIRE COLOR
1	BN
2	WH
3	BU
4	BK

PART NO MATRIX

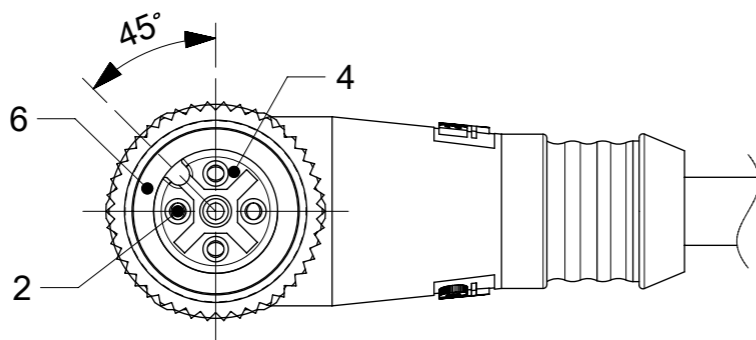
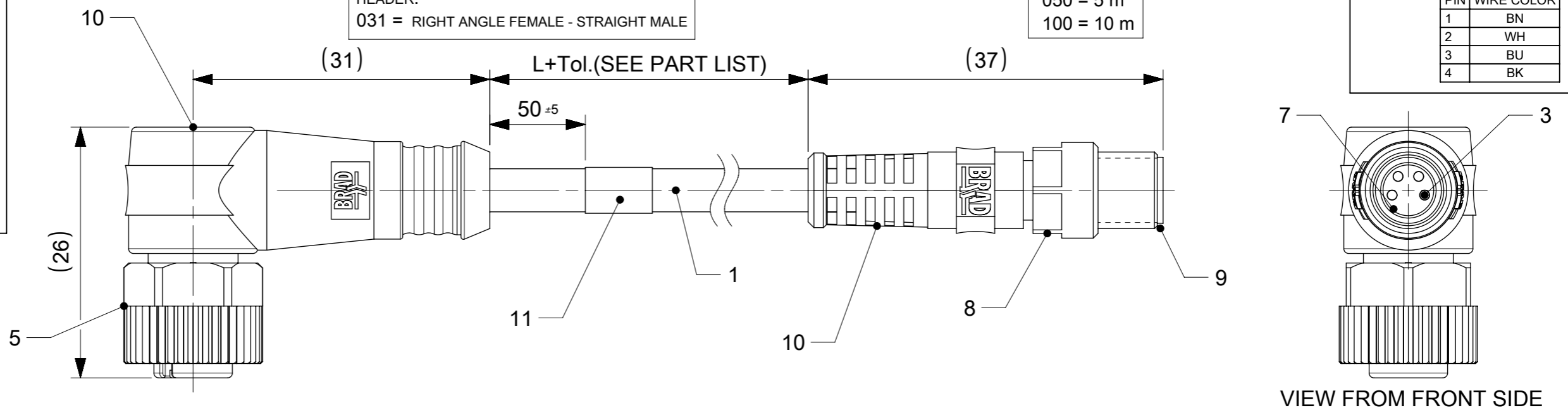


M8 4 POL



VIEW FROM FRONT SIDE

PIN	WIRE COLOR
1	BN
2	WH
3	BU
4	BK



VIEW FROM FRONT SIDE

CABLE INFORMATION :

CABLE TYPE	NO. OF WIRES	CROSS SECTION	CABLE JACKET	UL	CSA	STATIC: TEMP. / BENDING RADIUS	DYNAMIC: TEMP. / BENDING RADIUS	DRAG CHAIN	SHIELD
B41	4	0.25mm ²	TPU BLACK	UL 758	C22.2	-40°C to +90°C, UPTO 5xO.D.	-25°C to +80°C	UPTO 5Mio	NO

BOM

ITEM No.	QTY.	DESCRIPTION	MATERIAL	FINISH/COLOR
1	-	CABLE	TPU	BLACK
2	4	CONTACT FEMALE	BRASS	SELECTIVE GOLD OVER NICKEL
3	4	CONTACT MALE	BRASS	GOLD OVER NI-PLATED
4	1	INSERT FEMALE	TPU	BLACK
5	1	COUPLING NUT FEMALE	BRASS	Ni-PLATED
6	1	GASKET	FPM	RED
7	1	MALE INSERT	PUR	BLACK
8	1	COUPLING NUT MALE	BRASS	Ni-PLATED
9	1	MALE SLEEVE	BRASS	Ni-PLATED
10	1	MOULDING MATERIAL	TPU	BLACK
11	1	LABEL	VINYL	YELLOW

NOTES :
1. IF ON THE MATRIX IS "H"
ADD ID CARRIERS ON THE BOTH SIDES CONNECTOR

NOTES:
ELECTRICAL DATA:
VOLTAGE RATING: 250V
AMPERAGE RATING: 4A
INSULATION RESISTANCE: 10⁸ Ω MIN.
MATING CYCLES: MAX. 100

ENVIRONMENTAL:
PROTECTION: IP67

PART LIST

MOLEX P/N	ENGINEERING No.	LENGTH(mm)
1200669497	844031B41M020	2000
1200669498	844031B41M050	5000

TABLE OF LENGTH TOLERANCES		
OVER	UP TO AND INCLUDING	TOLERANCE
0	1000	+40 0
1000	5000	+60 0
5000	10000	+80 0
10000	20000	+140 0
20000	30000	+160 0
30000	>	+1% OF LENGTH

DOCUMENT STATUS	P1	RELEASE DATE	2018/08/28	12:01:08
-----------------	----	--------------	------------	----------

THIS DRAWING CONTAINS INFORMATION THAT IS PROPRIETARY TO MOLEX ELECTRONIC TECHNOLOGIES, LLC AND SHOULD NOT BE USED WITHOUT WRITTEN PERMISSION

SYMBOLS: DIMENSION UNITS: mm SCALE: 2:1

GENERAL TOLERANCES (UNLESS SPECIFIED): ANGULAR TOL ± 1.0°

4 PLACES ± 0.15
3 PLACES ± 0.10
2 PLACES ± 0.05
1 PLACE ± 0.3
0 PLACES ± 0.5

DRAFT WHERE APPLICABLE MUST REMAIN WITHIN DIMENSIONS

THIRD ANGLE PROJECTION

CURRENT REV DESC:
EC NO: 603463
DRWN: SSM 2018/07/26
CHK'D: RSILLER 2018/08/28
APPR: RSILLER 2018/08/28

INITIAL REVISION:
DRWN: SSM 2018/07/26
APPR: RSILLER 2018/08/28

molex

CSE M12 M8 4P AC FE RA PVC MA STR XM

PRODUCT CUSTOMER DRAWING

DOCUMENT NUMBER: 1200669497
DOC TYPE: PSD
DOC PART: 000
REVISION: A

MATERIAL NUMBER: SEE PART LIST
CUSTOMER: GENERAL MARKET
SHEET NUMBER: 1 OF 1