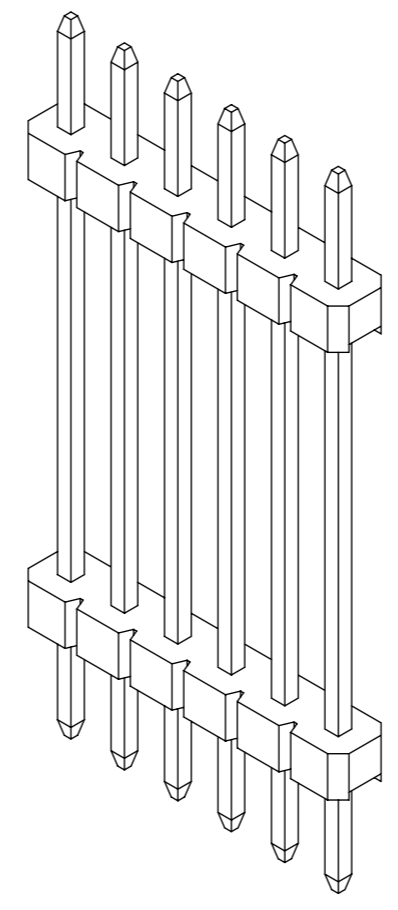
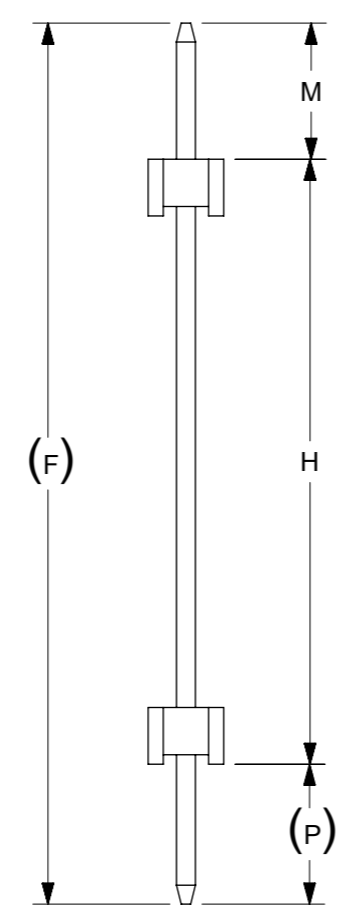
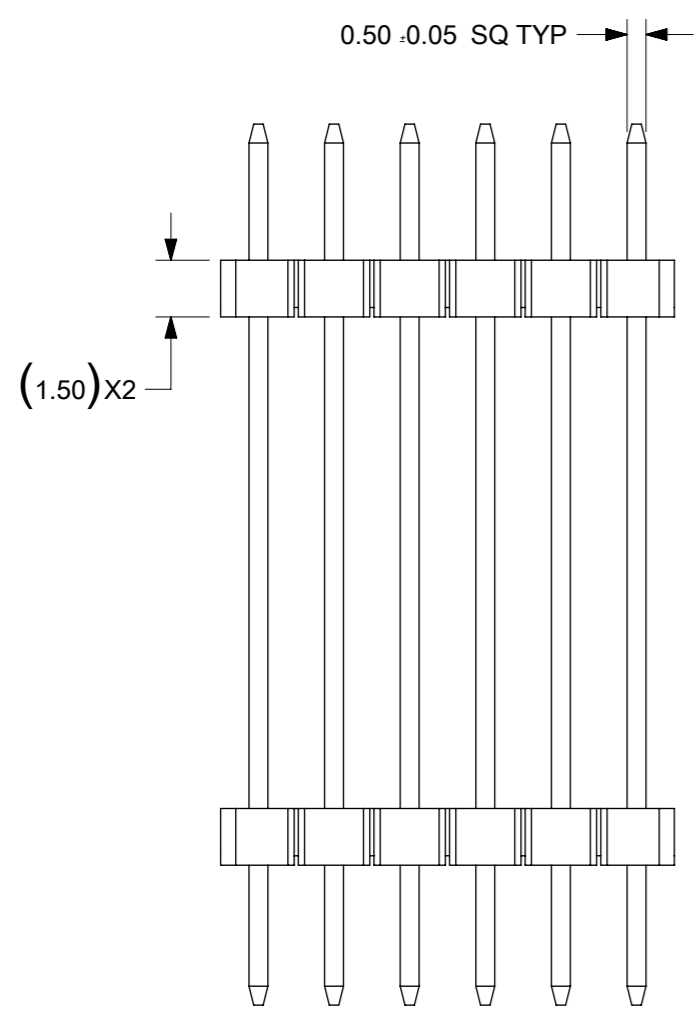


RECOMMENDED PCB LAYOUT




NOTES

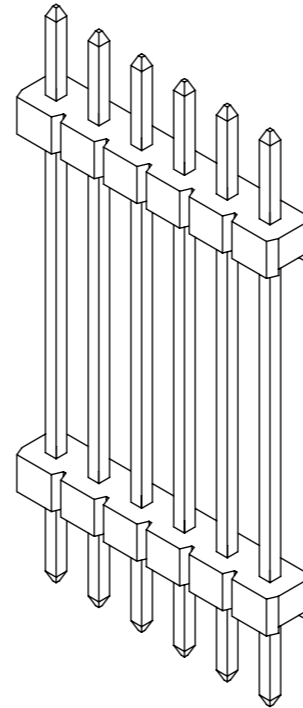
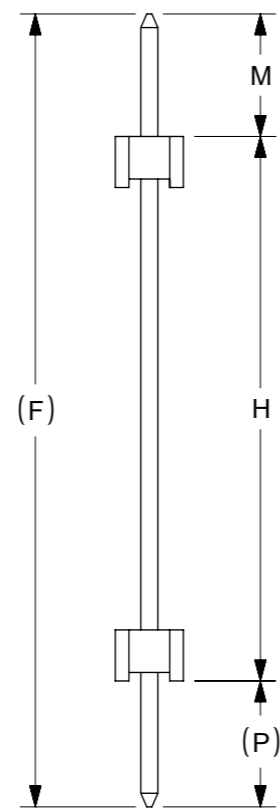
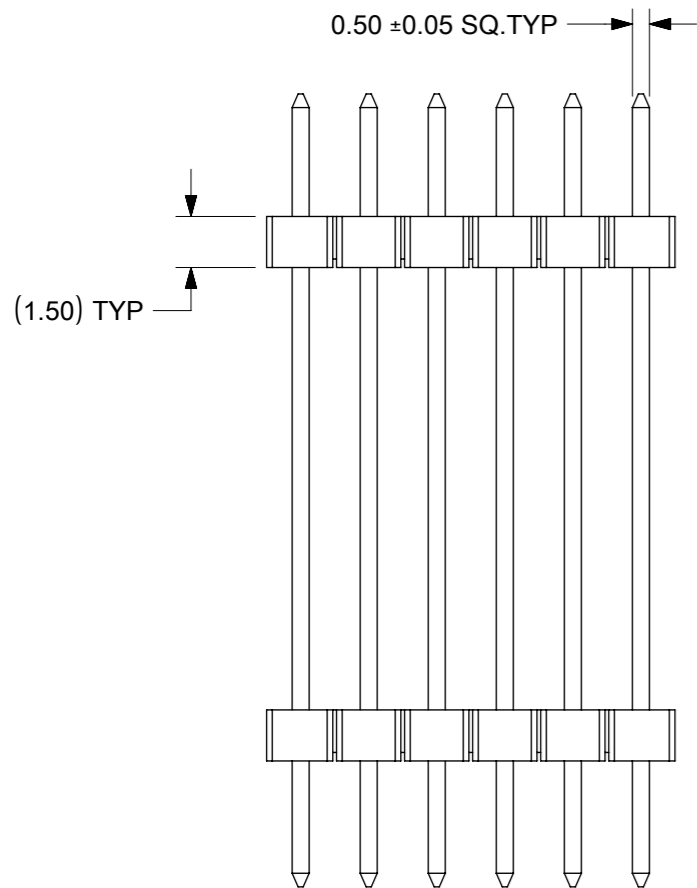
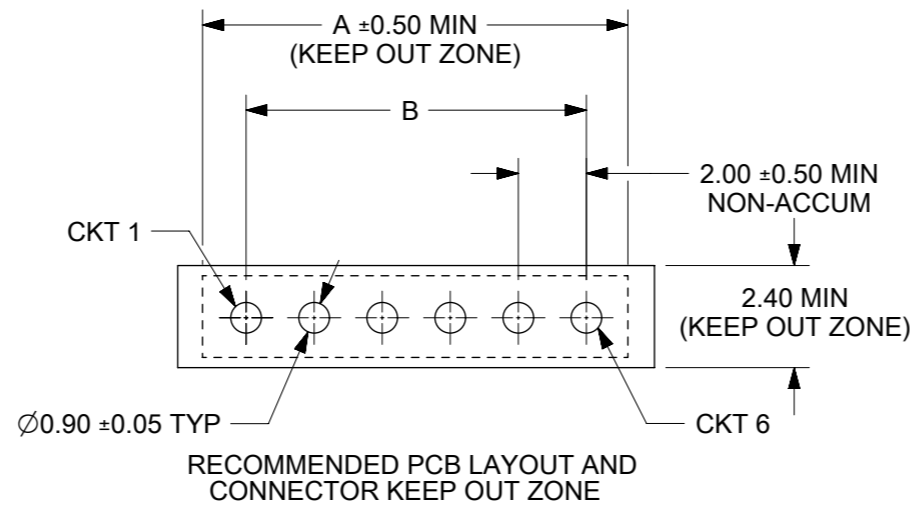
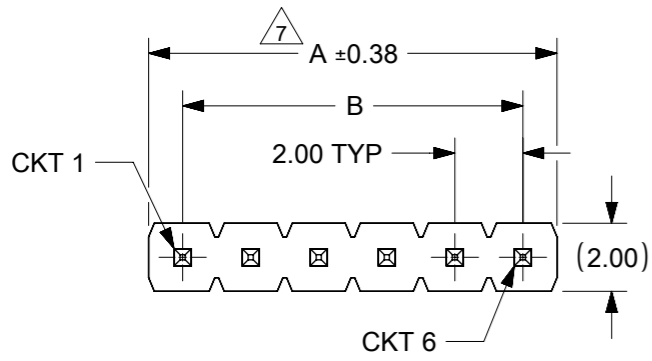
- MATERIAL:  
HSG: PA6T, GLASS-FILLED, UL94V-0  
COLOR: BLACK  
PIN: 0.50MM SQ, COPPER ALLOY
- PLATING TYPE:
  - 0.05-0.25µm GOLD OVER  
1.25µm MIN. NICKEL OVERALL.
  - 0.05-0.25µm GOLD ON CONTACT AND  
2.50µm MIN. TIN ON SOLDER TAIL OVER  
1.25µm MIN. NICKEL OVERALL.
  - 0.38µm MIN. GOLD PLATE ON CONTACT AND  
2.00µm MIN. TIN ON SOLDER TAIL OVER  
1.25µm MIN. NICKEL OVERALL.
  - 0.75µm MIN. GOLD PLATE ON CONTACT AND  
2.00µm MIN. TIN ON SOLDER TAIL OVER  
1.25µm MIN. NICKEL OVERALL.
  - 2.50µm MIN. TIN OVERALL  
1.25µm MIN. NICKEL OVERALL
- PACKAGING TYPE: SEE TABLE
- PCB THICKNESS 1.6+/-0.10mm
- PRODUCT SPECIFICATION: PS-87761-100
- WAFER TO BE FLAT WITHIN 0.003 mm/mm
- IRREGULAR CIRCUIT CUTOFF WITHIN BREAKAWAY SECTION IS PERMISSIBLE. CUTTING OR CHIPPING OF THE MAIN BODY IS NOT ACCEPTABLE
- THE ABOVE CKT 06 IS FOR ILLUSTRATION PURPOSE ONLY
- PACKAGING SPECIFICATION:  
TRAY: PK-89990-487  
BULK: PK-89990-490

SYMBOLS	THIS DRAWING CONTAINS INFORMATION THAT IS PROPRIETARY TO MOLEX ELECTRONIC TECHNOLOGIES, LLC AND SHOULD NOT BE USED WITHOUT WRITTEN PERMISSION		CURRENT REV DESC: SD CONSOLIDATION						
	DIMENSION UNITS	SCALE							
▽ = 0	mm	NTS				CUSTOM HEADER 2MM PITCH SINGLE ROW HDR DUAL WAFER, VERTICAL T/H			
▽ = 0	GENERAL TOLERANCES (UNLESS SPECIFIED)								
▽ = 0	ANGULAR TOL ± 3.0°					PRODUCT CUSTOMER DRAWING			
▽ = 0	4 PLACES	±							
▽ = 0	3 PLACES	±				DOCUMENT NUMBER <b>SD-151148-0003</b>			
▽ = 0	2 PLACES	± 0.2							
▽ = 0	1 PLACE	±				DOC TYPE PSD			
▽ = 0	0 PLACES	±							
□ = 0	DRAFT WHERE APPLICABLE MUST REMAIN WITHIN DIMENSIONS					DOC PART 000			
▽ = 0									
		THIRD ANGLE PROJECTION	DRAWING		SERIES	MATERIAL NUMBER		CUSTOMER	SHEET NUMBER
			A3-SIZE		151148	SEE TABLE		GENERAL MARKET	1 OF 2

CKT SIZE	DIMENSION	
	A	B
02	4.00	2.00
03	6.00	4.00
04	8.00	6.00
05	10.00	8.00
06	12.00	10.00
07	14.00	12.00
08	16.00	14.00
09	18.00	16.00
10	20.00	18.00
11	22.00	20.00
12	24.00	22.00
13	26.00	24.00
14	28.00	26.00
15	30.00	28.00
16	32.00	30.00
17	34.00	32.00
18	36.00	34.00
19	38.00	36.00
20	40.00	38.00
21	42.00	40.00
22	44.00	42.00
23	46.00	44.00
24	48.00	46.00
25	50.00	48.00
26	52.00	50.00
27	54.00	52.00
28	56.00	54.00
29	58.00	56.00
30	60.00	58.00
31	62.00	60.00
32	64.00	62.00
33	66.00	64.00
34	68.00	66.00
35	70.00	68.00
36	72.00	70.00
37	74.00	72.00
38	76.00	74.00
39	78.00	76.00
40	80.00	78.00

PART NO. FOR TRAY PACKAGING	PART NO. FOR BULK PACKAGING	PART NO. FOR T&R PACKAGING	CKT SIZE	PLATE OPT.	KINK POSITION	VOID POSITION	DIMENSIONS			
							(F)	M	H	P
151148-0200	-	-	02	1	-	-	10.00	3.00	4.00	3.00
151148-0300	-	-	03	5	-	-	7.40	1.80	3.00	2.60
151148-0400	-	-	04	5	-	-	8.50	2.75	3.00	2.75
151148-0700	-	-	07	1	-	-	31.80	6.00	22.80	3.00
151148-0701	-	-	07	3	-	-	32.25	4.20	25.00	3.05
151148-1000	-	-	10	5	-	-	10.00	3.00	4.00	3.00
151148-1001	-	-	10	3	-	-	9.50	3.00	4.50	2.00
151148-1002	-	-	10	5	-	-	12.94	7.36	3.04	2.54
151148-1100	-	-	11	1	-	-	19.00	3.00	14.50	1.50

<b>SYMBOLS</b> ▽ = 0 ▽ = 0 ▽ = 0 ▽ = 0 ▽ = 0 ▽ = 0 ▽ = 0 ▽ = 0 ▽ = 0 ▽ = 0	THIS DRAWING CONTAINS INFORMATION THAT IS PROPRIETARY TO MOLEX ELECTRONIC TECHNOLOGIES, LLC AND SHOULD NOT BE USED WITHOUT WRITTEN PERMISSION		CURRENT REV DESC: SD CONSOLIDATION		 CUSTOM HEADER 2MM PITCH SINGLE ROW HDR DUAL WAFER, VERTICAL T/H
	mm	NTS	EC NO: 616102		
	GENERAL TOLERANCES (UNLESS SPECIFIED)		DRWN: GJEEVANSURES 2019/04/10		
	ANGULAR TOL ± 3.0°		CHK'D: GJEEVANSURES 2019/05/08		PRODUCT CUSTOMER DRAWING
	4 PLACES ±		APPR: ISHWARG 2019/05/09		
	3 PLACES ±		INITIAL REVISION:		DOCUMENT NUMBER
	2 PLACES ± 0.2		DRWN: MRAMAKRISHNA 2015/07/08		SD-151148-0003
	1 PLACE ±		APPR: MRAMAKRISHNA 2015/07/29		DOC TYPE
	0 PLACES ±		THIRD ANGLE PROJECTION		PSD
	DRAFT WHERE APPLICABLE MUST REMAIN WITHIN DIMENSIONS		DRAWING		DOC PART
		SERIES		000	
		MATERIAL NUMBER		A	
		CUSTOMER		REVISION	
		SHEET NUMBER		2 OF 2	




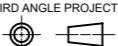
**NOTES**

1. MATERIAL:  
HSG: PA6T, GLASS-FILLED, UL94V-0  
COLOR: BLACK  
PIN: 0.50MM SQ, COPPER ALLOY
2. PLATING TYPE:
  - (1) GOLD FLASH OVER  
1.270µm/50µin NICKEL OVERALL
  - (2) 0.025µm MIN. GOLD PLATE ON CONTACT AND  
1.905µm MIN. TIN ON SOLDER TAIL OVER  
1.270µm MIN. NICKEL OVERALL.
  - (3) 0.254µm MIN. GOLD PLATE ON CONTACT AND  
1.905µm MIN. TIN ON SOLDER TAIL OVER  
1.270µm MIN. NICKEL OVERALL.
  - (4) 0.381µm MIN. GOLD PLATE ON CONTACT AND  
1.905µm MIN. TIN ON SOLDER TAIL OVER  
1.270µm MIN. NICKEL OVERALL.
  - (5) 0.762µm MIN. GOLD PLATE ON CONTACT AND  
1.905µm MIN. TIN ON SOLDER TAIL OVER  
1.270µm MIN. NICKEL OVERALL.
  - (6) 2.540µm/100µin MIN TIN OVERALL  
1.270µm/50µ in NICKEL OVERALL
3. PACKAGING TYPE: SEE TABLE
4. PCB THICKNESS 1.6+/-0.10mm
5. PRODUCT SPECIFICATION: PS-87761-100
6. WAFER TO BE FLAT WITHIN 0.003 mm/mm
7. IRREGULAR CIRCUIT CUTOFF WITHIN BREAKAWAY SECTION IS PERMISSIBLE. CUTTING OR CHIPPING OF THE MAIN BODY IS NOT ACCEPTABLE
8. THE ABOVE CKT 06 IS FOR ILLUSTRATION PURPOSE ONLY
9. PACKAGING SPECIFICATION:  
TRAY: PK-89990-487  
BULK: PK-89990-490

THIS DRAWING CONTAINS INFORMATION THAT IS PROPRIETARY TO MOLEX ELECTRONIC TECHNOLOGIES, LLC AND SHOULD NOT BE USED WITHOUT WRITTEN PERMISSION									
DIMENSION UNITS		SCALE		CURRENT REV DESC: BRIGHT TIN PHASE OUT					
mm		NTS							
GENERAL TOLERANCES (UNLESS SPECIFIED)				EC NO: 679909		CUSTOMER		CUSTOMER	
				DRWN: AKUMAR19		2021/06/15		CUSTOMER	
				CHK'D: MRAMAKRISHNA		2021/10/11		CUSTOMER	
				APPR: MRAMAKRISHNA		2021/10/11		CUSTOMER	
				INITIAL REVISION:				CUSTOMER	
				DRWN: SKLIM01		2006/07/14		CUSTOMER	
				APPR: PATEL		2006/07/26		CUSTOMER	
ANGULAR TOL ± 3.0°				DOCUMENT NUMBER		DOC TYPE		DOC PART	
				SD-87755-042		PSD		001	
DRAFT WHERE APPLICABLE MUST REMAIN WITHIN DIMENSIONS				THIRD ANGLE PROJECTION		DRAWING		SERIES	
				A3-SIZE		87755		SHEET NUMBER	
				SEE TABLE		GENERAL MARKET		1 OF 2	

PART NO. FOR TRAY PACKAGING	PART NO. FOR BULK PACKAGING	CKT SIZE	PLATING OPTIONS	KINK POSITIONS	VOID POSITIONS	DIMENSIONS					
						A	B	F	M	H	P
87755-0002	---	02	6	---	---	4.00	2.00	24.50	2.25	20.00	2.25
87755-0003	---	03	6	---	---	6.00	4.00	24.50	2.25	20.00	2.25
87755-0301	---	03	6	---	---	6.00	4.00	7.40	1.80	3.00	2.60
87755-0501	----	05	6	---	2, 3 & 4	10.00	8.00	11.90	3.00	5.90	3.00
---	87755-0006	06	6	---	---	12.00	10.00	8.50	3.05	3.00	2.45
---	87755-0601	06	6	---	---	12.00	10.00	8.50	2.75	3.00	2.75
---	87755-0602	06	6	---	---	12.00	10.00	8.50	2.75	3.00	2.75
87755-0800	---	08	6	---	---	16.00	14.00	30.40	7.80	19.00	3.60
87755-0802	---	08	6	---	---	16.00	14.00	30.40	7.80	19.00	3.60
87755-0801	---	08	6	---	---	16.00	14.00	11.90	3.00	5.90	3.00
87755-0021	---	21	6	---	2,4,6,8,10,12, 14,16,18,20	42.00	40.00	23.30	3.60	16.00	3.70

△ WAFER STACK TOGETHER, DIMENSION 'H'  
SHOULD BE TAKEN AS REFERENCE.

THIS DRAWING CONTAINS INFORMATION THAT IS PROPRIETARY TO MOLEX ELECTRONIC TECHNOLOGIES, LLC AND SHOULD NOT BE USED WITHOUT WRITTEN PERMISSION															
DIMENSION UNITS		SCALE		CURRENT REV DESC: BRIGHT TIN PHASE OUT											
mm		NTS													
GENERAL TOLERANCES (UNLESS SPECIFIED)				EC NO: 679909 DRWN: AKUMAR19 2021/06/15 CHK'D: MRAMAKRISHNA 2021/10/11 APPR: MRAMAKRISHNA 2021/10/11		CUSTOM HEADER 2MM PITCH SINGLE ROW HDR DUAL WAFER, VERTICAL,T/H									
				INITIAL REVISION: DRWN: SKLIM01 2006/07/14 APPR: PATEL 2006/07/26		DOCUMENT NUMBER <b>SD-87755-042</b>		DOC TYPE PSD		DOC PART 001		REVISION <b>B1</b>			
4 PLACES ±      ± 3 PLACES ±      ± 2 PLACES ± 0.2 ± 1 PLACE ±      ± 0 PLACES ±      ± ANGULAR TOL ± 3.0°				THIRD ANGLE PROJECTION 		DRAWING <b>A3-SIZE</b>		SERIES <b>87755</b>		MATERIAL NUMBER SEE TABLE		CUSTOMER GENERAL MARKET		SHEET NUMBER 2 OF 2	