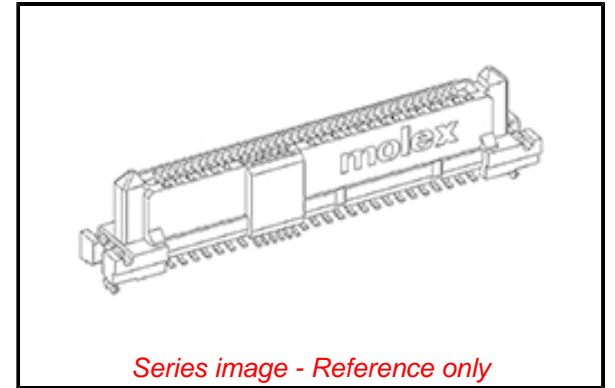


PLEASE CHECK WWW.MOLEX.COM FOR LATEST PART INFORMATION

Part Number: [0787770001](#)
Status: **Active**
Overview: Serial Attached SCSI (SAS) Connectors
Description: 1.27mm Signal Pitch, 0.80mm Signal Pitch, 1.27mm Power Pitch SAS-3/PCIe-3 Receptacle, Vertical, Surface Mount, with Solder Tab, 8.15mm Height, 1.00mm Peg Length, 2.36mm PCB Thickness, 68 Circuits, with Cap, Embossed Tape and Reel, Lead-Free



Documents:

| | |
|--|--|
| 3D Model | Application Specification AS-78777-001-001 (PDF) |
| 3D Model (PDF) | Packaging Specification PK-78777-001-001 (PDF) |
| Drawing (PDF) | RoHS Certificate of Compliance (PDF) |
| Product Specification PS-78777-001-001 (PDF) | |

Agency Certification

| | |
|-----|---------|
| CSA | LR19980 |
| UL | E29179 |

General

| | |
|------------------|---|
| Product Family | I/O Connectors |
| Series | 78777 |
| Application | Board-to-Board |
| Comments | With Cap |
| Component Type | Receptacle |
| Electrical Model | Yes |
| Overview | Serial Attached SCSI (SAS) Connectors |
| Product Name | SAS-3/PCIe-3, U.2 (SFF-8639) |
| Type | N/A |
| UPC | 887191426808 |

Physical

| | |
|--------------------------------|------------------------|
| Circuits (Loaded) | 68 |
| Circuits Detail | Signal 53, Power 15 |
| Color - Resin | Black |
| Durability (mating cycles max) | 500 |
| Flammability | 94V-0 |
| Gender | Female |
| Keying to Mating Part | Yes |
| Lock to Mating Part | None |
| Material - Metal | Copper Alloy |
| Material - Plating Mating | Gold |
| Material - Plating Termination | Matte Tin |
| Material - Resin | Liquid Crystal Polymer |
| Net Weight | 1.806/g |
| Number of Rows | 2 |
| Orientation | Vertical |
| PCB Locator | Yes |
| PCB Retention | Yes |
| PCB Thickness - Recommended | 2.36mm |
| Packaging Type | Embossed Tape on Reel |
| Panel Mount | No |
| Pitch - Mating Interface | 0.80mm, 1.27mm |
| Pitch - Termination Interface | 0.80mm, 1.27mm |
| Plating min - Mating | 0.762µm |
| Plating min - Termination | 2.540µm |
| Polarized to Mating Part | Yes |
| Polarized to PCB | Yes |

EU ELV

Not Relevant

EU RoHS

Compliant

REACH SVHC

Not Contained Per -
D(2020)9139-DC (19
Jan 2021)

Halogen-Free

Status

Low-Halogen

For more information, please visit [Contact US](#)

China ROHS

ELV

RoHS Phthalates

China RoHS

Green Image

Not Relevant

Not Contained

Search Parts in this Series

[78777 Series](#)

Mates With

U.2 (SFF-8639) Plugs|SFF-8482 and
SFF-8680 Plugs|SAS / SATA Plugs

| | |
|--------------------------------|---------------|
| Surface Mount Compatible (SMC) | Yes |
| Temperature Range - Operating | 0° to +55°C |
| Termination Interface: Style | Surface Mount |

Electrical

| | |
|-------------------------------|------|
| Current - Maximum per Contact | 1.5A |
| Voltage - Maximum | 30V |

Solder Process Data

| | |
|--|--------|
| Duration at Max. Process Temperature (seconds) | 010 |
| Lead-free Process Capability | REFLOW |
| Max. Cycles at Max. Process Temperature | 001 |
| Process Temperature max. C | 260 |

Material Info**Reference - Drawing Numbers**

| | |
|---------------------------|------------------|
| Application Specification | AS-78777-001-001 |
| Electrical Model Document | EE-78777-001 |
| Packaging Specification | PK-78777-001-001 |
| Product Specification | PS-78777-001-001 |
| S-Parameter Model | SP-78777-001 |
| Sales Drawing | SD-78777-001-000 |

This document was generated on 03/30/2021

PLEASE CHECK WWW.MOLEX.COM FOR LATEST PART INFORMATION