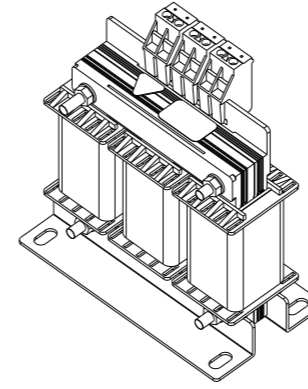
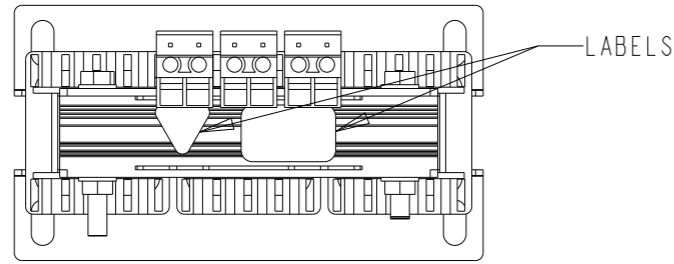


P	LTR	DESCRIPTION	DATE	DWN	APVD
	A	RELEASED FOR PRODUCTION	10FEB2023	DM	CB
	A1	ADDING PRODUCT DATA	07MAR2023	DM	CB

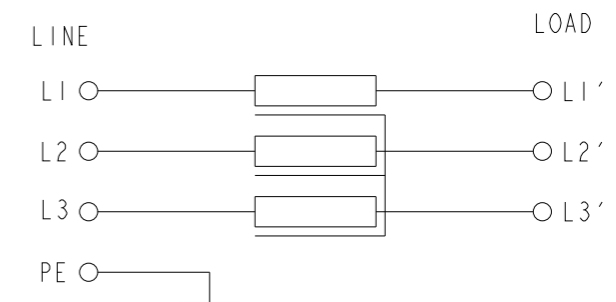


NOMINAL OPERATING VOLTAGE (VAC)	3x 380 to 480
RATED OPERATING VOLTAGE (VAC)	3x 340 to 530
FREQUENCY (Hz)	50 / 60
RATED CURRENT (AMPS)	2.41
OP. TEMP. RANGE @ RATED CURRENT	-45°C to +45°C
RATED POWER @ 400VAC (kW)	1.5
RATED POWER @ 400VAC (HP)	2.01
IMPEDANCE @ 400VAC (%)	4
INDUCTANCE, NOMINAL (mH)	12.230
POWER OVERLOAD, 1 MINUTE EVERY HOUR	1.6
VOLTAGE WITHSTAND 1 MINUTE (kVAC)	2
POLLUTION DEGREE	PD2
COOLING	NATURAL
PROTECTION CLASS	IP00
INSULATION CLASS	N
STORAGE TEMPERATURE RANGE (°C)	-45°C to +100°C
CLIMATIC CATEGORY	45/100/21
DESIGN CORRESPONDING TO	EN61558-2-20, EN60076-6, UL61800-5-1

SAFETY ORGANIZATIONS

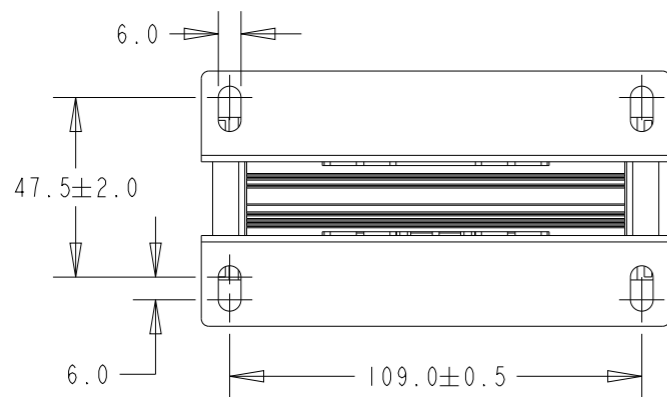
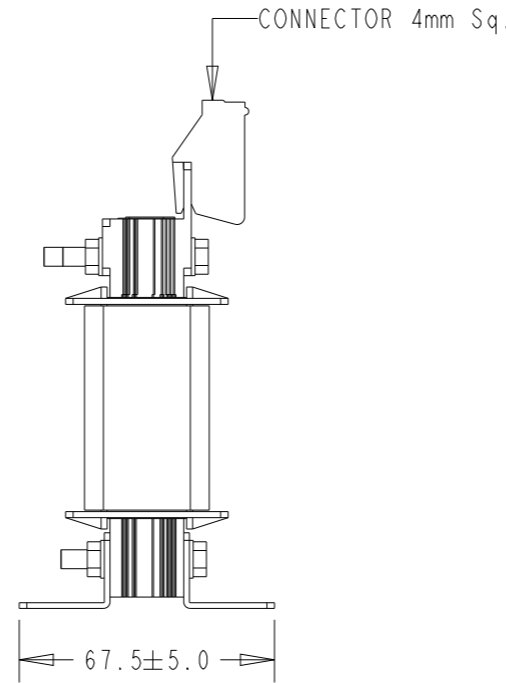
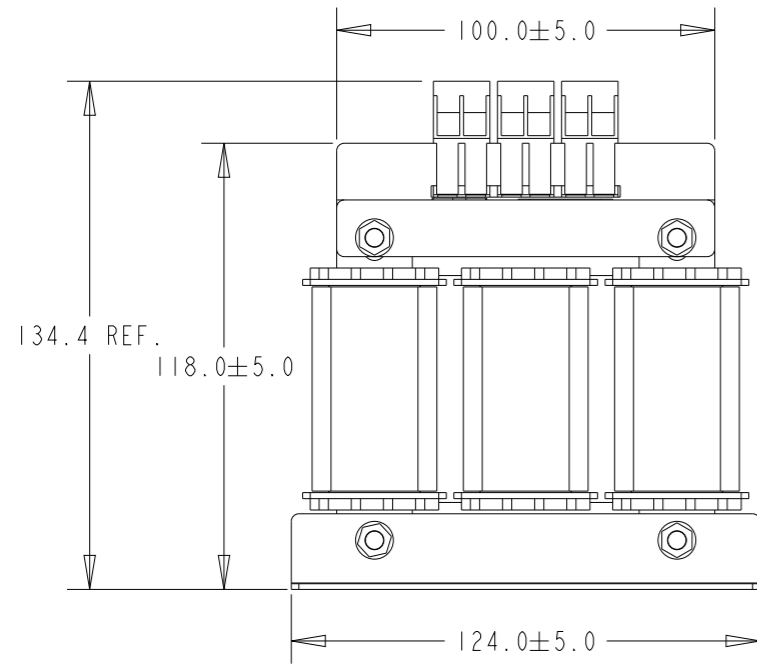
UL RECOGNIZED AS PER UL 508 HARDWARE CERTIFICATION

TYPICAL CIRCUIT DIAGRAM



DE-RATING FORMULAE FOR OPERATION ABOVE 45°C AMBIENT CONDITIONS:

$$I = I_n \sqrt{\frac{100 - T_{a\ new}}{100 - 45}}$$



RoHS COMPLIANT

THIS DRAWING IS A CONTROLLED DOCUMENT.		DWN C. BOLLE 06OCT2022															
DIMENSIONS: mm		CHK C. BOLLE 06OCT2022															
TOLERANCES UNLESS OTHERWISE SPECIFIED:		APVD L. RAJ 06OCT2022	NAME RPO-3-2.4 THREE LINE REACTOR														
<table border="1"> <tbody> <tr> <td>0 PLC</td> <td>±-</td> </tr> <tr> <td>1 PLC</td> <td>±0.1</td> </tr> <tr> <td>2 PLC</td> <td>±0.01</td> </tr> <tr> <td>3 PLC</td> <td>±0.001</td> </tr> <tr> <td>4 PLC</td> <td>±0.0001</td> </tr> <tr> <td>ANGLES</td> <td>±-</td> </tr> </tbody> </table>		0 PLC	±-	1 PLC	±0.1	2 PLC	±0.01	3 PLC	±0.001	4 PLC	±0.0001	ANGLES	±-	PRODUCT SPEC -	RESTRICTED TO -		
0 PLC	±-																
1 PLC	±0.1																
2 PLC	±0.01																
3 PLC	±0.001																
4 PLC	±0.0001																
ANGLES	±-																
MATERIAL -		FINISH -	APPLICATION SPEC -	WEIGHT -	SIZE A3												
			CAGE CODE 00779	DRAWING NO C=2432409-2	SCALE 1:2												
			CUSTOMER DRAWING	SHEET 1 OF 1	REV A1												