

R74, 125°C Single Metallized Polypropylene Film, Radial, AC Applications (Automotive Grade)

Overview

The R74 125°C is constructed of metallized polypropylene film with radial leads of tinned wire. The radial leads are electrically welded to the metal layer on the ends of the capacitor winding. The capacitor is encapsulated in a self-extinguishing solvent resistant plastic case, with thermosetting resin material meeting UL 94 V-0 requirements. Two different winding constructions are used depending on voltage parameters. Please see Performance Characteristics for more information.

Automotive grade devices meet the demanding Automotive Electronics Council's AEC-Q200 qualification requirements.

Applications

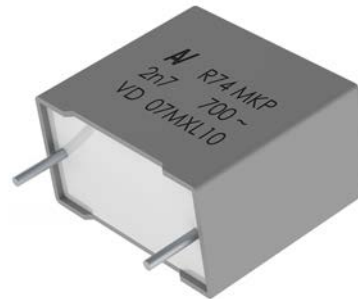
Typical applications include electronic lighting such as automotive headlamps and ballasts, as well as pulse applications with high AC voltage and high current in combination with a high ambient temperature.

Not suitable for across-the-line application (see Suppressor Capacitors).

ATTENTION -- This series was replaced by the R75H series. Please click on the link to the R75H series datasheet [HERE](#).

Benefits

- Voltage range: 500 – 700 VAC
- Capacitance range: 680 pF – 0.1 μF
- Lead Spacing: 15.0 – 22.5 mm
- Capacitance tolerance: ±5%, ±10%
- Climatic category: 55/125/56 IEC 60068-1
- Operating temperature range of -55°C to +125°C
- RoHS compliance and lead-free terminations
- Tape & Reel packaging in accordance with IEC 60286-2
- Self-healing
- Automotive (AEC-Q200) grades available



Part Number System

R74	5	F	1100	AA	H0	J
Series	Rated Voltage (VAC)	Lead Spacing (mm)	Capacitance Code (pF)	Packaging	Internal Use	Capacitance Tolerance
Metallized Polypropylene	5 = 500 7 = 700	I = 15 N = 22.5	The last three digits represent significant figures. The first digit specifies the total number of zeros to be added.	See Ordering Options Table	H0 H1 H3 (Hx = 125°C)	J = ±5% K = ±10%

NOT FOR NEW DESIGN

Film Capacitors – Polypropylene Pulse/High Frequency Capacitors

R74, 125°C Single Metallized Polypropylene Film, Radial, AC Applications (Automotive Grade)



Ordering Options Table

Lead Spacing Nominal (mm)	Type of Leads and Packaging	Lead Length (mm)	Lead and Packaging Code
15 22.5	Standard Lead and Packaging Options		
	Bulk (Bag) – Short Leads	4 +2/-0	AA
	Ammo Pack	$H_0 = 18.5 \pm 0.5$	DQ
	Other Lead and Packaging Options		
	Tape & Reel (Standard Reel Ø 355 mm)	$H_0 = 18.5 \pm 0.5$	GY
	Tape & Reel (Large Reel Ø 500 mm)	$H_0 = 18.5 \pm 0.5$	CK
	Bulk (Bag)–Short Leads	3.5 +0.5/-0	JB
	Bulk (Bag)–Short Leads	4.0 +0.5/-0	JE
	Bulk (Bag)–Short Leads	3.2 +0.3/-0.2	JH
	Bulk (Bag)–Long Leads	18 ±1	JM
	Bulk (Bag)–Long Leads	30 +5/-0	40
	Bulk (Bag)–Long Leads	25 +2/-1	50

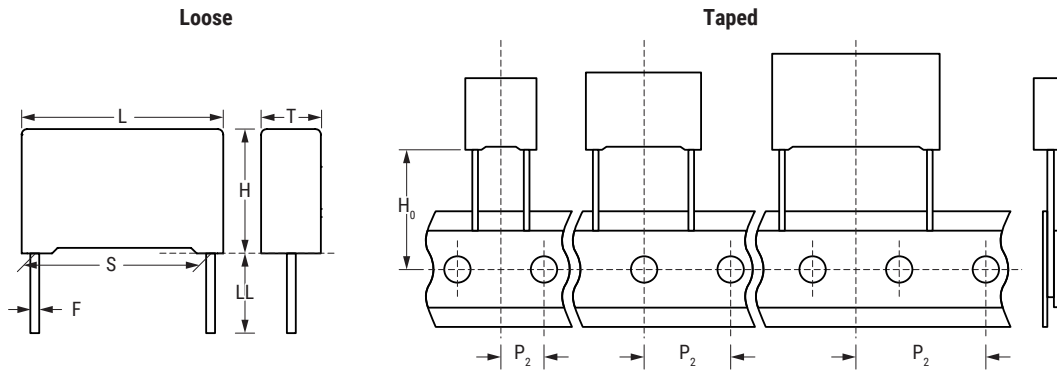
NOT FOR NEW DESIGN

Film Capacitors – Polypropylene Pulse/High Frequency Capacitors

R74, 125°C Single Metallized Polypropylene Film, Radial, AC Applications (Automotive Grade)

KEMET
a YAGEO company

Dimensions – Millimeters



S		T		H		L		F	
Nominal	Tolerance	Nominal	Tolerance	Nominal	Tolerance	Nominal	Tolerance	Nominal	Tolerance
15.0	±0.4	4.0	+0.2/-0.5	10.0	+0.1/-0.5	18.0	+0.3/-0.5	0.8	±0.05
15.0	±0.4	5.0	+0.2/-0.5	11.0	+0.1/-0.5	18.0	+0.3/-0.5	0.8	±0.05
15.0	±0.4	6.0	+0.2/-0.5	12.0	+0.1/-0.5	18.0	+0.3/-0.5	0.8	±0.05
15.0	±0.4	7.5	+0.2/-0.5	13.5	+0.1/-0.5	18.0	+0.5/-0.5	0.8	±0.05
15.0	±0.4	8.5	+0.2/-0.5	14.5	+0.1/-0.5	18.0	+0.5/-0.5	0.8	±0.05
15.0	±0.4	9.0	+0.2/-0.5	12.5	+0.1/-0.5	18.0	+0.5/-0.5	0.8	±0.05
15.0	±0.4	10.0	+0.2/-0.5	16.0	+0.1/-0.5	18.0	+0.5/-0.5	0.8	±0.05
15.0	±0.4	11.0	+0.2/-0.5	19.0	+0.1/-0.5	18.0	+0.5/-0.5	0.8	±0.05
15.0	±0.4	13.0	+0.2/-0.5	12.0	+0.1/-0.5	18.0	+0.5/-0.5	0.8	±0.05
22.5	±0.4	6.0	+0.2/-0.5	15.0	+0.1/-0.5	26.5	+0.3/-0.5	0.8	±0.05
22.5	±0.4	7.0	+0.2/-0.5	16.0	+0.1/-0.5	26.5	+0.3/-0.5	0.8	±0.05
22.5	±0.4	8.5	+0.2/-0.5	17.0	+0.1/-0.5	26.5	+0.3/-0.5	0.8	±0.05
22.5	±0.4	10.0	+0.2/-0.5	18.5	+0.1/-0.5	26.5	+0.3/-0.5	0.8	±0.05
22.5	±0.4	11.0	+0.2/-0.5	20.0	+0.1/-0.5	26.5	+0.3/-0.5	0.8	±0.05
22.5	±0.4	13.0	+0.2/-0.5	22.0	+0.1/-0.5	26.5	+0.3/-0.5	0.8	±0.05

Note: See Ordering Options Table for lead length (LL/Ho) options.

NOT FOR NEW DESIGN

Film Capacitors – Polypropylene Pulse/High Frequency Capacitors

R74, 125°C Single Metallized Polypropylene Film, Radial, AC Applications (Automotive Grade)



Performance Characteristics

Dielectric	Polypropylene film			
Plates	Metal layer deposited by evaporation under vacuum			
Winding	Non-inductive type			
Leads	Tinned wire			
Protection	Plastic case, thermosetting resin filled. Box material is solvent resistant and flame retardant according to UL94.			
Related documents	IEC 60384-16, IEC 60384-17			
Rated voltage V_R	500 VAC, 1,600 VDC (2 sections) 700 VAC, 2,000 VDC (3 sections)			
Capacitance range (μF)	0.001 – 0.1 (2 sections) 0.00068 – 0.068 (3 sections)			
Capacitance values	E12 series (IEC 60063) measured at 1 kHz and +20 \pm 1°C			
Capacitance tolerance	\pm 5%, \pm 10%			
Operating temperature range	-55°C to +125°C			
Rated temperature T_R	+105°C			
Voltage derating	Above +105°C DC and AC voltage derating is 1.25%/°C			
Climatic category	55/125/56 IEC 60068-1			
Storage conditions	Storage time: \leq 24 months from the date marked on the package label			
	Average relative humidity per year \leq 70%			
	RH \leq 85% for 30 days randomly distributed throughout the year			
	Dew is absent			
	Temperature: -40 to 80°C (see “Maximum Humidity in Storage Conditions” graph below)			
Test voltage	1.6 x V_R VDC for 2 seconds (between terminations) at +25°C \pm 5°C			
Capacitance drift	Maximum 1% after a 2-year storage period at a temperature of +10°C to +40°C and a relative humidity of 40% to 60%			
Maximum pulse steepness	dV/dt according to Table 1. For working voltages lower than rated voltage ($V < V_R$), the specified dV/dt can be multiplied by the factor V_R/V .			
Temperature coefficient	-(200 \pm 100) ppm/°C at 1 kHz			
Self inductance (Lead length ~ 2 mm)	Lead Spacing (mm)	15	22.5	
	L (nH) \approx	10	16	
	Maximum 1 nH per 1 mm lead and capacitor length.			
Dissipation factor $\tan\delta$	Measured at 25°C \pm 5°C			
	Frequency	$C \leq 2.2$ nF	2.2 nF $< C \leq 0.027$ μF	0.027 $\mu\text{F} < C \leq 0.1$ μF
	1 kHz	0.01%	0.01%	0.04%
	10 kHz	0.02%	0.02%	0.06%
	100 kHz	0.03%	0.08%	0.25%

NOT FOR NEW DESIGN

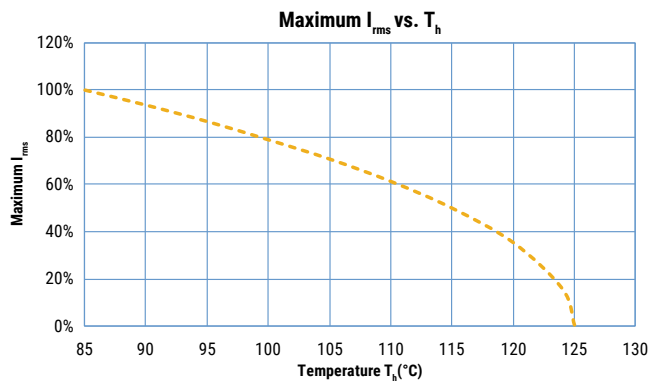
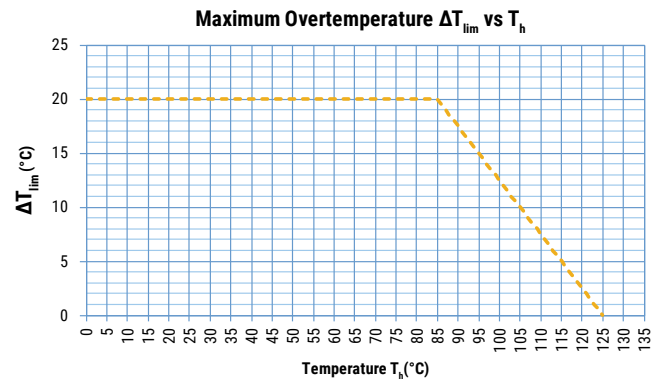
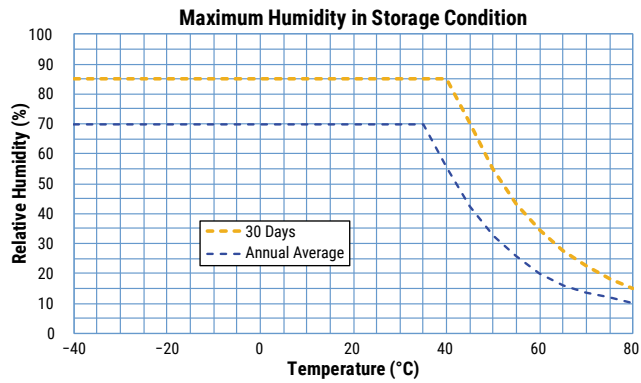
Film Capacitors – Polypropylene Pulse/High Frequency Capacitors

R74, 125°C Single Metallized Polypropylene Film, Radial, AC Applications (Automotive Grade)



Performance Characteristics cont.

Insulation resistance	Measured at +25°C ±5°C, 100 VDC 60 seconds
	Minimum Values Between Terminals
	All Capacitance Values
	≥ 100,000 MΩ

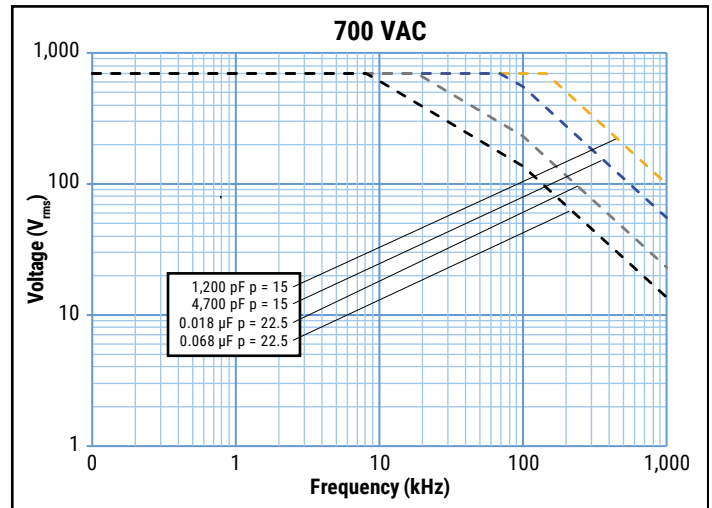
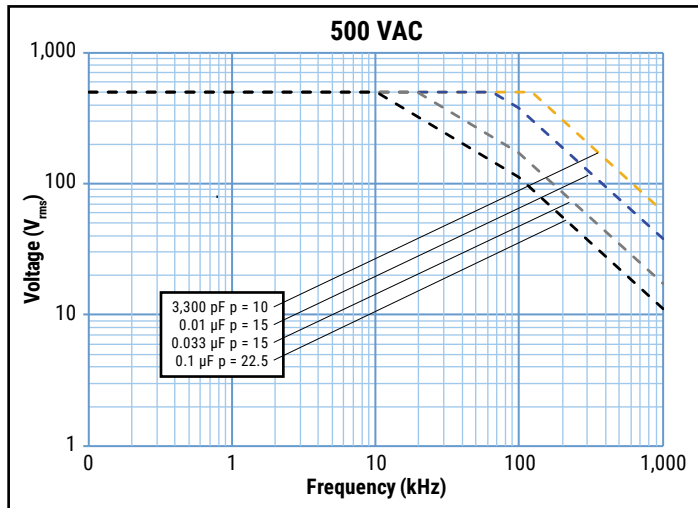


T_h is the maximum ambient temperature surrounding the capacitor or hottest contact point (e.g. tracks), whichever is higher, in the worst operation conditions in °C.

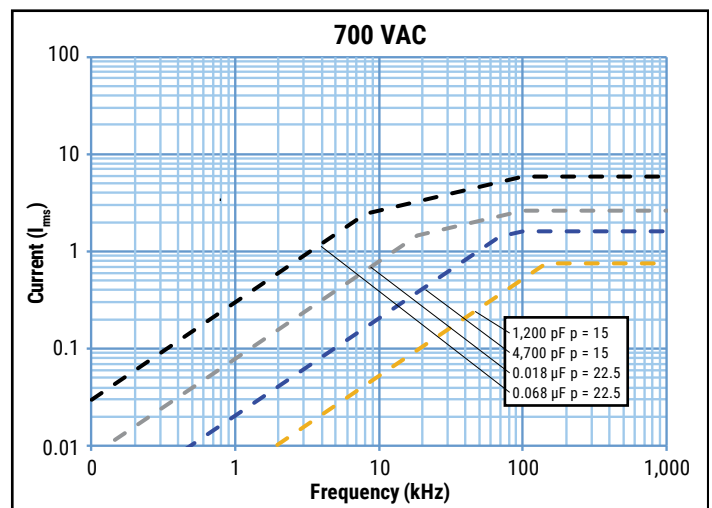
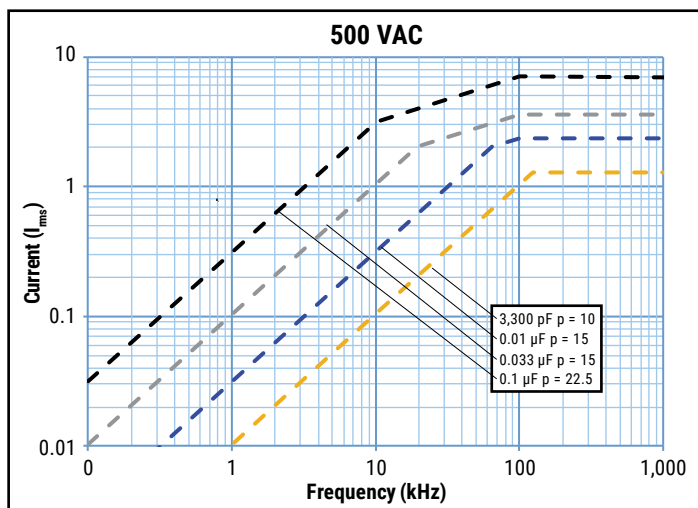
Qualification

Automotive Grade products meet or exceed the requirements outlined by the Automotive Electronics Council. Details regarding test methods and conditions are referenced in document AEC-Q200, Stress Test Qualification for Passive Components. For additional information regarding the Automotive Electronics Council and AEC-Q200, please visit their website at www.aecouncil.com.

Maximum Voltage (V_{rms}) vs. Frequency (Sinusoidal Waveform/ $Th \leq 85^\circ C$)



Maximum Current (I_{rms}) vs. Frequency (Sinusoidal Waveform/ $Th \leq 85^\circ C$)



NOT FOR NEW DESIGN

Film Capacitors – Polypropylene Pulse/High Frequency Capacitors

R74, 125°C Single Metallized Polypropylene Film, Radial, AC Applications (Automotive Grade)



Environmental Test Data

Damp Heat, Steady State Test	Test Conditions:		Performances
	Temperature: Relative humidity (RH): Test duration:	+40°C ±2°C 93% ±2% 56 days	$ \Delta C/C \leq 2\%$, $\Delta \tan\delta \leq 0.001$ at 1 kHz IR after test $\geq 50\%$ of initial limit
Endurance Test	Test Conditions		Performances
Test 1st	Temperature: Voltage applied: Test duration:	+125°C +0/-2°C 0.94 x V_R (AC) at 50 Hz 2,000 hours	$ \Delta C/C \leq 5\%$, $\Delta \tan\delta \leq 0.0015$ at 1 kHz IR after test $\geq 50\%$ of initial limit
Test 2nd	Temperature: Voltage applied: Test duration:	+105°C ±2°C 1.25 x V_R (AC) at 50 Hz 2,000 hours	
Resistance to Soldering Heat Test	Test Conditions		Performances
	Solder bath temperature: Dipping time (with heat screen):	260°C ±5°C 10 seconds ±1 second	$ \Delta C/C \leq 1\%$, $\Delta \tan\delta \leq 0.001$ at 1 kHz IR after test \geq initial limit

Environmental Compliance

All KEMET pulse capacitors are RoHS Compliant.



NOT FOR NEW DESIGN

Film Capacitors – Polypropylene Pulse/High Frequency Capacitors

R74, 125°C Single Metallized Polypropylene Film, Radial, AC Applications (Automotive Grade)



Table 1 – Ratings & Part Number Reference

VAC	VDC	Capacitance Value (µF)	Dimensions in mm			Lead Spacing (S)	dV/dt (V/µs)	Max K ₀ (V ² /µs)	KEMET Internal Part Number	Customer Part Number
			T	H	L					
500	1,600	0.0027	4.0	10.0	18.0	15.0	4,500	14,400,000	745I1270(1)H3(2)	R745I1270(1)H3(2)
500	1,600	0.0033	4.0	10.0	18.0	15.0	4,500	14,400,000	745I1330(1)H3(2)	R745I1330(1)H3(2)
500	1,600	0.0039	4.0	10.0	18.0	15.0	4,500	14,400,000	745I1390(1)H3(2)	R745I1390(1)H3(2)
500	1,600	0.0047	5.0	11.0	18.0	15.0	4,500	14,400,000	745I1470(1)H0(2)	R745I1470(1)H0(2)
500	1,600	0.0056	5.0	11.0	18.0	15.0	4,500	14,400,000	745I1560(1)H0(2)	R745I1560(1)H0(2)
500	1,600	0.0068	6.0	12.0	18.0	15.0	4,500	14,400,000	745I1680(1)H0(2)	R745I1680(1)H0(2)
500	1,600	0.0082	6.0	12.0	18.0	15.0	4,500	14,400,000	745I1820(1)H0(2)	R745I1820(1)H0(2)
500	1,600	0.010	6.0	12.0	18.0	15.0	4,500	14,400,000	745I2100(1)H0(2)	R745I2100(1)H0(2)
500	1,600	0.012	7.5	13.5	18.0	15.0	4,500	14,400,000	745I2120(1)H0(2)	R745I2120(1)H0(2)
500	1,600	0.015	7.5	13.5	18.0	15.0	4,500	14,400,000	745I2150(1)H0(2)	R745I2150(1)H0(2)
500	1,600	0.015	13.0	12.0	18.0	15.0	4,500	14,400,000	745I2150(1)H1(2)	R745I2150(1)H1(2)
500	1,600	0.018	8.5	14.5	18.0	15.0	4,500	14,400,000	745I2180(1)H0(2)	R745I2180(1)H0(2)
500	1,600	0.018	13.0	12.0	18.0	15.0	4,500	14,400,000	745I2180(1)H1(2)	R745I2180(1)H1(2)
500	1,600	0.022	10.0	16.0	18.0	15.0	4,500	14,400,000	745I2220(1)H0(2)	R745I2220(1)H0(2)
500	1,600	0.022	13.0	12.0	18.0	15.0	4,500	14,400,000	745I2220(1)H1(2)	R745I2220(1)H1(2)
500	1,600	0.027	10.0	16.0	18.0	15.0	4,500	14,400,000	745I2270(1)H0(2)	R745I2270(1)H0(2)
500	1,600	0.033	11.0	19.0	18.0	15.0	4,500	14,400,000	745I2330(1)H0(2)	R745I2330(1)H0(2)
500	1,600	0.018	6.0	15.0	26.5	22.5	1,200	3,840,000	745N2180(1)H0(2)	R745N2180(1)H0(2)
500	1,600	0.022	6.0	15.0	26.5	22.5	1,200	3,840,000	745N2220(1)H0(2)	R745N2220(1)H0(2)
500	1,600	0.027	7.0	16.0	26.5	22.5	1,200	3,840,000	745N2270(1)H0(2)	R745N2270(1)H0(2)
500	1,600	0.033	7.0	16.0	26.5	22.5	1,200	3,840,000	745N2330(1)H0(2)	R745N2330(1)H0(2)
500	1,600	0.039	8.5	17.0	26.5	22.5	1,200	3,840,000	745N2390(1)H0(2)	R745N2390(1)H0(2)
500	1,600	0.047	10.0	18.5	26.5	22.5	1,200	3,840,000	745N2470(1)H0(2)	R745N2470(1)H0(2)
500	1,600	0.056	10.0	18.5	26.5	22.5	1,200	3,840,000	745N2560(1)H0(2)	R745N2560(1)H0(2)
500	1,600	0.068	11.0	20.0	26.5	22.5	1,200	3,840,000	745N2680(1)H0(2)	R745N2680(1)H0(2)
500	1,600	0.082	13.0	22.0	26.5	22.5	1,200	3,840,000	745N2820(1)H0(2)	R745N2820(1)H0(2)
500	1,600	0.10	13.0	22.0	26.5	22.5	1,200	3,840,000	745N3100(1)H0(2)	R745N3100(1)H0(2)
700	2,000	0.00068	4.0	10.0	18.0	15.0	9,500	38,000,000	747I0680(1)H3(2)	R747I0680(1)H3(2)
700	2,000	0.00082	4.0	10.0	18.0	15.0	9,500	38,000,000	747I0820(1)H3(2)	R747I0820(1)H3(2)
700	2,000	0.0010	4.0	10.0	18.0	15.0	9,500	38,000,000	747I1100(1)H3(2)	R747I1100(1)H3(2)
700	2,000	0.0012	4.0	10.0	18.0	15.0	9,500	38,000,000	747I1120(1)H3(2)	R747I1120(1)H3(2)
700	2,000	0.0013	4.0	10.0	18.0	15.0	9,500	38,000,000	747I1130(1)H3(2)	R747I1130(1)H3(2)
700	2,000	0.0018	4.0	10.0	18.0	15.0	9,500	38,000,000	747I1180(1)H3(2)	R747I1180(1)H3(2)
700	2,000	0.0022	4.0	10.0	18.0	15.0	9,500	38,000,000	747I1220(1)H3(2)	R747I1220(1)H3(2)
700	2,000	0.0025	4.0	10.0	18.0	15.0	9,500	38,000,000	747I1250(1)H3(2)	R747I1250(1)H3(2)
700	2,000	0.0027	5.0	11.0	18.0	15.0	9,500	38,000,000	747I1270(1)H0(2)	R747I1270(1)H0(2)
700	2,000	0.0033	5.0	11.0	18.0	15.0	9,500	38,000,000	747I1330(1)H0(2)	R747I1330(1)H0(2)
700	2,000	0.0036	6.0	12.0	18.0	15.0	9,500	38,000,000	747I1360(1)H0(2)	R747I1360(1)H0(2)
700	2,000	0.0039	6.0	12.0	18.0	15.0	9,500	38,000,000	747I1390(1)H0(2)	R747I1390(1)H0(2)
700	2,000	0.0043	6.0	12.0	18.0	15.0	9,500	38,000,000	747I1430(1)H0(2)	R747I1430(1)H0(2)
VAC	VDC	Capacitance Value (µF)	T (mm)	H (mm)	L (mm)	Lead Spacing (S)	dV/dt (V/µs)	Max K ₀ (V ² /µs)	KEMET Internal Part Number	Customer Part Number

(1) Insert lead and packaging code. See Ordering Options Table for available options.

(2) J = 5%, K = 10%.

NOT FOR NEW DESIGN

Film Capacitors – Polypropylene Pulse/High Frequency Capacitors

R74, 125°C Single Metallized Polypropylene Film, Radial, AC Applications (Automotive Grade)



Table 1 – Ratings & Part Number Reference cont.

VAC	VDC	Capacitance Value (µF)	Dimensions in mm			Lead Spacing (S)	dV/dt (V/µs)	Max K ₀ (V ² /µs)	KEMET Internal Part Number	Customer Part Number
			T	H	L					
700	2,000	0.0047	6.0	12.0	18.0	15.0	9,500	38,000,000	747I1470(1)H0(2)	R747I1470(1)H0(2)
700	2,000	0.0052	6.0	12.0	18.0	15.0	9,500	38,000,000	747I1520(1)H0(2)	R747I1520(1)H0(2)
700	2,000	0.0056	6.0	12.0	18.0	15.0	9,500	38,000,000	747I1560(1)H0(2)	R747I1560(1)H0(2)
700	2,000	0.0062	7.5	13.5	18.0	15.0	9,500	38,000,000	747I1620(1)H0(2)	R747I1620(1)H0(2)
700	2,000	0.0068	7.5	13.5	18.0	15.0	9,500	38,000,000	747I1680(1)H0(2)	R747I1680(1)H0(2)
700	2,000	0.0082	7.5	13.5	18.0	15.0	9,500	38,000,000	747I1820(1)H0(2)	R747I1820(1)H0(2)
700	2,000	0.0082	9.0	12.5	18.0	15.0	9,500	38,000,000	747I1820(1)H1(2)	R747I1820(1)H1(2)
700	2,000	0.010	8.5	14.5	18.0	15.0	9,500	38,000,000	747I2100(1)H0(2)	R747I2100(1)H0(2)
700	2,000	0.010	13.0	12.0	18.0	15.0	9,500	38,000,000	747I2100(1)H1(2)	R747I2100(1)H1(2)
700	2,000	0.012	10.0	16.0	18.0	15.0	9,500	38,000,000	747I2120(1)H0(2)	R747I2120(1)H0(2)
700	2,000	0.012	13.0	12.0	18.0	15.0	9,500	38,000,000	747I2120(1)H1(2)	R747I2120(1)H1(2)
700	2,000	0.015	10.0	16.0	18.0	15.0	9,500	38,000,000	747I2150(1)H0(2)	R747I2150(1)H0(2)
700	2,000	0.018	11.0	19.0	18.0	15.0	9,500	38,000,000	747I2180(1)H0(2)	R747I2180(1)H0(2)
700	2,000	0.0062	6.0	15.0	26.5	22.5	4,500	18,000,000	747N1620(1)H0(2)	R747N1620(1)H0(2)
700	2,000	0.0068	6.0	15.0	26.5	22.5	4,500	18,000,000	747N1680(1)H0(2)	R747N1680(1)H0(2)
700	2,000	0.0075	6.0	15.0	26.5	22.5	4,500	18,000,000	747N1750(1)H0(2)	R747N1750(1)H0(2)
700	2,000	0.0082	6.0	15.0	26.5	22.5	4,500	18,000,000	747N1820(1)H0(2)	R747N1820(1)H0(2)
700	2,000	0.010	6.0	15.0	26.5	22.5	4,500	18,000,000	747N2100(1)H0(2)	R747N2100(1)H0(2)
700	2,000	0.012	6.0	15.0	26.5	22.5	4,500	18,000,000	747N2120(1)H0(2)	R747N2120(1)H0(2)
700	2,000	0.015	6.0	15.0	26.5	22.5	4,500	18,000,000	747N2150(1)H0(2)	R747N2150(1)H0(2)
700	2,000	0.018	7.0	16.0	26.5	22.5	4,500	18,000,000	747N2180(1)H0(2)	R747N2180(1)H0(2)
700	2,000	0.022	8.5	17.0	26.5	22.5	4,500	18,000,000	747N2220(1)H0(2)	R747N2220(1)H0(2)
700	2,000	0.027	8.5	17.0	26.5	22.5	4,500	18,000,000	747N2270(1)H0(2)	R747N2270(1)H0(2)
700	2,000	0.033	10.0	18.5	26.5	22.5	4,500	18,000,000	747N2330(1)H0(2)	R747N2330(1)H0(2)
700	2,000	0.039	10.0	18.5	26.5	22.5	4,500	18,000,000	747N2390(1)H0(2)	R747N2390(1)H0(2)
700	2,000	0.047	11.0	20.0	26.5	22.5	4,500	18,000,000	747N2470(1)H0(2)	R747N2470(1)H0(2)
700	2,000	0.056	13.0	22.0	26.5	22.5	4,500	18,000,000	747N2560(1)H0(2)	R747N2560(1)H0(2)
700	2,000	0.062	13.0	22.0	26.5	22.5	4,500	18,000,000	747N2620(1)H0(2)	R747N2620(1)H0(2)
700	2,000	0.068	13.0	22.0	26.5	22.5	4,500	18,000,000	747N2680(1)H0(2)	R747N2680(1)H0(2)
VAC	VDC	Capacitance Value (µF)	T (mm)	H (mm)	L (mm)	Lead Spacing (S)	dV/dt (V/µs)	Max K ₀ (V ² /µs)	KEMET Internal Part Number	Customer Part Number

(1) Insert lead and packaging code. See Ordering Options Table for available options.

(2) J = 5%, K = 10%.

Soldering Process

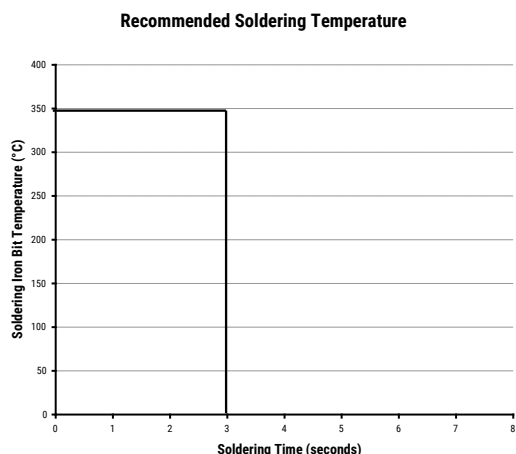
The implementation of the RoHS directive has resulted in the selection of SnAgCu (SAC) alloys or SnCu alloys as a primary solder. This has increased the liquidus temperature from that of 183°C for SnPb eutectic alloy to 217 – 221°C for the new alloys. As a result, the heat stress to the components, even in wave soldering, has increased considerably due to higher pre-heat and wave temperatures. Polypropylene capacitors are especially sensitive to heat (the melting point of polypropylene is 160 – 170°C). Wave soldering can be destructive, especially for mechanically small polypropylene capacitors (with lead spacing of 5 mm to 15 mm), and great care has to be taken during soldering. The recommended solder profiles from KEMET should be used. Please consult KEMET with any questions. In general, the wave soldering curve from IEC Publication 61760-1 Edition 2 serves as a solid guideline for successful soldering. Please see Figure 1.

Reflow soldering is not recommended for through-hole film capacitors. Exposing capacitors to a soldering profile in excess of the above recommended limits may result in degradation or permanent damage to the capacitors.

Do not place the polypropylene capacitor through an adhesive curing oven to cure resin for surface mount components. Insert through-hole parts after the curing of surface mount parts. Consult KEMET to discuss the actual temperature profile in the oven, if through-hole components must pass through the adhesive curing process. A maximum two soldering cycles is recommended. Please allow time for the capacitor surface temperature to return to a normal temperature before the second soldering cycle.

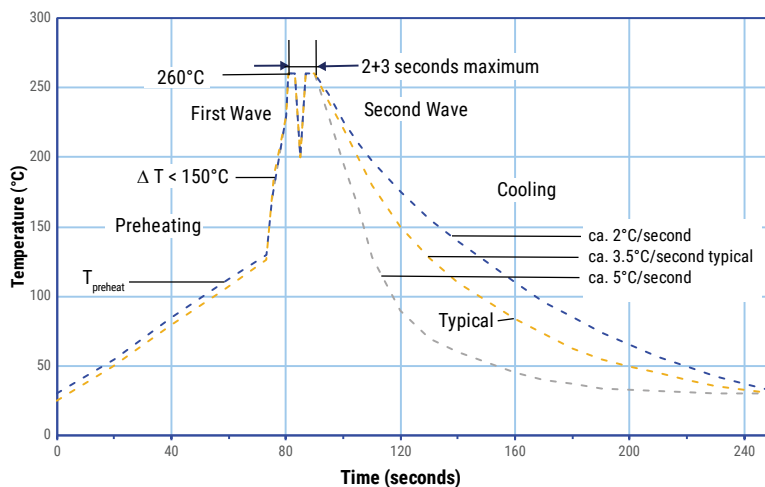
Manual Soldering Recommendations

The following is recommended for manual soldering with a soldering iron.



The soldering iron tip temperature should be set at 350°C (+10°C maximum) with the soldering duration not to exceed more than 3 seconds.

Wave Soldering Recommendations



Soldering Process cont.

Wave Soldering Recommendations cont.

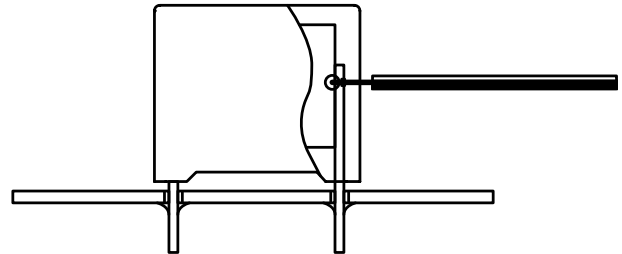
1. The table indicates the maximum set-up temperature of the soldering process
Figure 1.

Dielectric Film Material	Maximum Preheat Temperature		Maximum Peak Soldering Temperature	
	Capacitor Pitch ≤ 15 mm	Capacitor Pitch > 15 mm	Capacitor Pitch ≤ 15 mm	Capacitor Pitch > 15 mm
Polyester	130°C	130°C	270°C	270°C
Polypropylene	125°C	130°C	260°C	270°C
Paper	130°C	140°C	270°C	270°C
Polyphenylene Sulphide	150°C	160°C	270°C	270°C

2. The maximum temperature measured inside the capacitor:

Set the temperature so that inside the element the maximum temperature is below the limit:

Dielectric Film Material	Maximum temperature measured inside the element
Polyester	160°C
Polypropylene	125°C
Paper	160°C
Polyphenylene Sulphide	160°C



Temperature monitored inside the capacitor.

Selective Soldering Recommendations

Selective dip soldering is a variation of reflow soldering. In this method, the printed circuit board with through-hole components to be soldered is preheated and transported over the solder bath as in normal flow soldering without touching the solder. When the board is over the bath, it is stopped and pre-designed solder pots are lifted from the bath with molten solder only at the places of the selected components, and pressed against the lower surface of the board to solder the components.

The temperature profile for selective soldering is similar to the double wave flow soldering outlined in this document, **however, instead of two baths, there is only one bath with a time from 3 to 10 seconds.** In selective soldering, the risk of overheating is greater than in double wave flow soldering. Great care must be taken so that the parts are not overheated.

NOT FOR NEW DESIGN

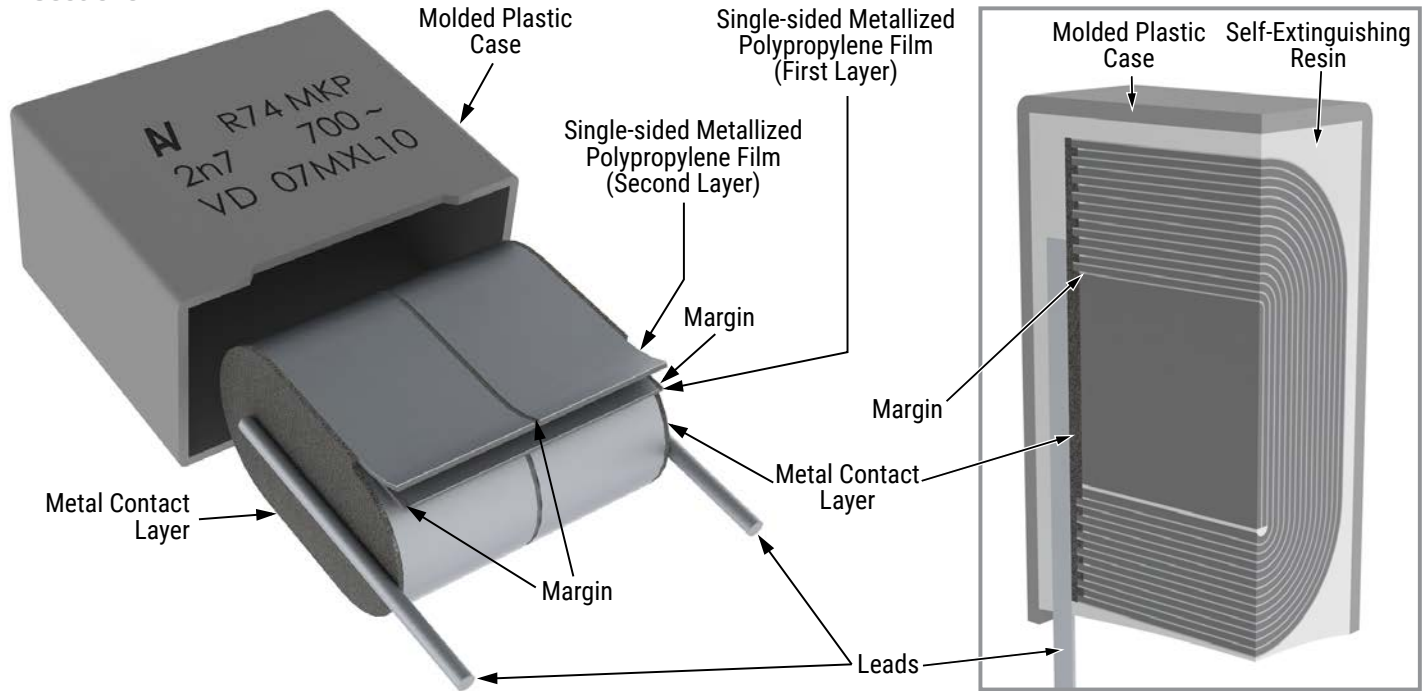
Film Capacitors – Polypropylene Pulse/High Frequency Capacitors

R74, 125°C Single Metallized Polypropylene Film, Radial, AC Applications (Automotive Grade)

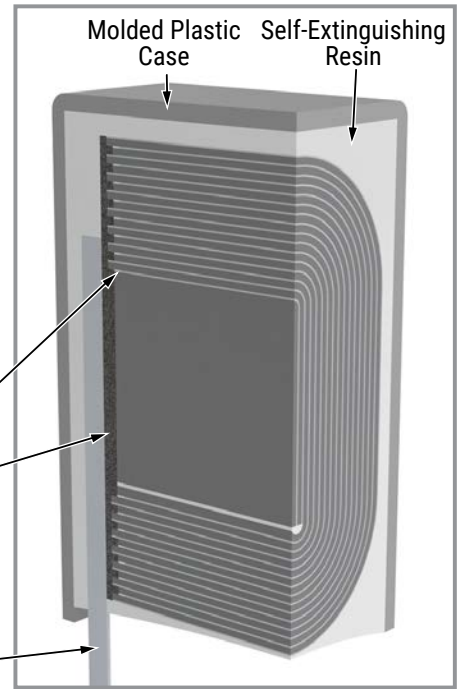
KEMET
a YAGEO company

Construction

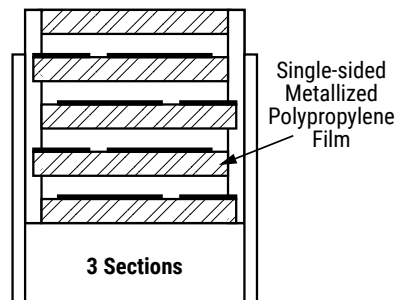
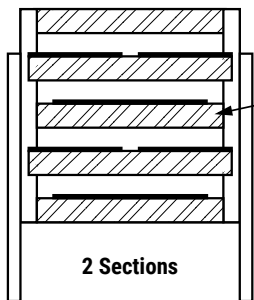
2 Sections



Detailed Cross Section



Winding Schemes



NOT FOR NEW DESIGN

Film Capacitors – Polypropylene Pulse/High Frequency Capacitors

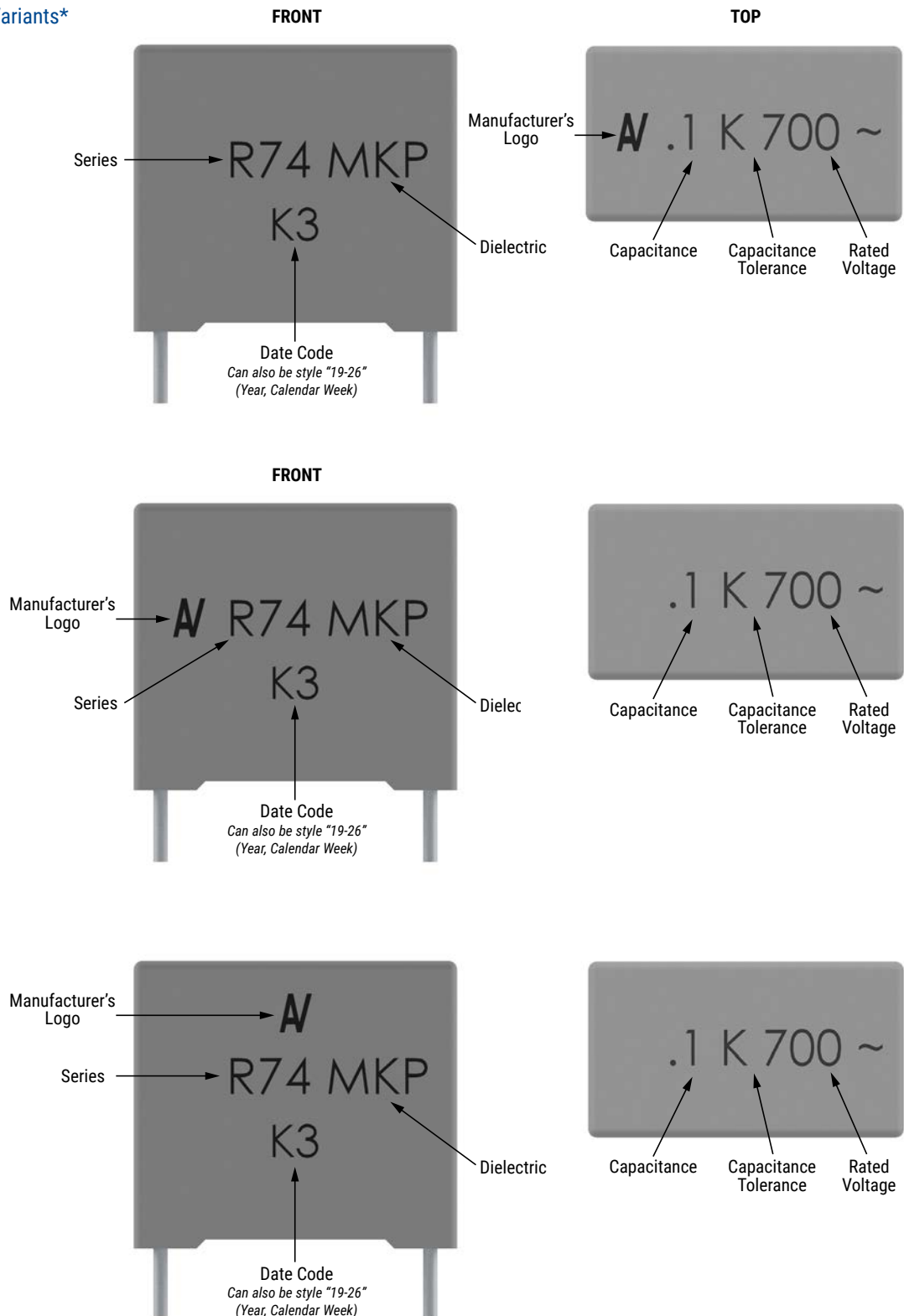
R74, 125°C Single Metallized Polypropylene Film, Radial, AC Applications (Automotive Grade)



Marking

Pitch – 10, 15 & 22.5

Marking Variants*



* Differences are caused by technology (Clichee or ink) and technic (production line)

NOT FOR NEW DESIGN

Film Capacitors – Polypropylene Pulse/High Frequency Capacitors

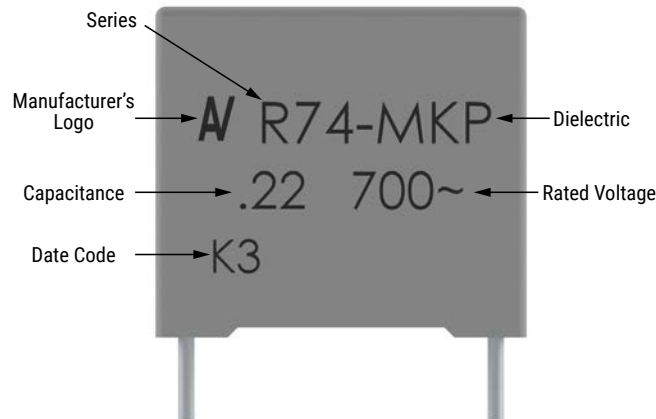
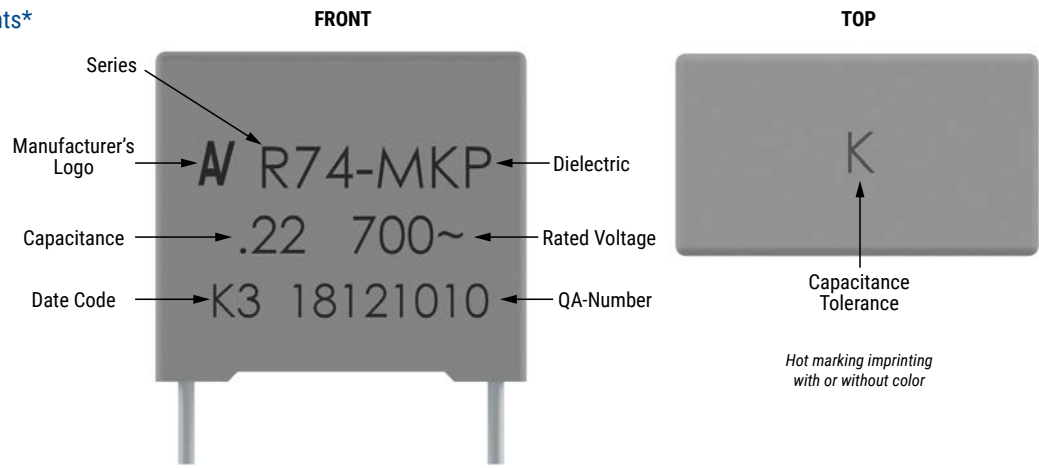
R74, 125°C Single Metallized Polypropylene Film, Radial, AC Applications (Automotive Grade)



Marking cont.

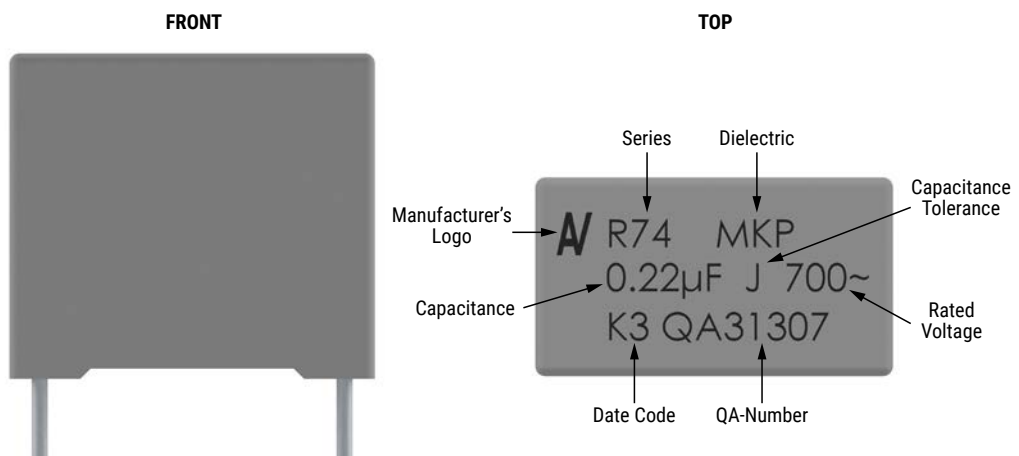
Pitch – 10, 15, & 22.5

Marking Variants*



Pitch – 10, 15, & 22.5

Marking Variants*



* Differences are caused by technology (Clichee or ink) and technic (production line)

NOT FOR NEW DESIGN

Film Capacitors – Polypropylene Pulse/High Frequency Capacitors

R74, 125°C Single Metallized Polypropylene Film, Radial, AC Applications (Automotive Grade)



Marking cont.

Manufacturing Date Code (IEC-60062)							
Year	Code	Year	Code	Month	Code	Month	Code
2010	A	2020	M	January	1	July	7
2011	B	2021	N	February	2	August	8
2012	C	2022	P	March	3	September	9
2013	D	2023	R	April	4	October	0
2014	E	2024	S	May	5	November	N
2015	F	2025	T	June	6	December	D
2016	H	2026	U				
2017	J	2027	V				
2018	K	2028	W				
2019	L	2029	X				
2020	M	2030	A				

Packaging Quantities

Lead Spacing	Thickness (mm)	Height (mm)	Length (mm)	Bulk Short Leads	Bulk Long Leads		Standard Reel ø 355 mm	Large Reel ø 500 mm	Ammo Taped
	Lead and Packaging Code			AA - JB JE - JH	JM	40 - 50	GY	CK	DQ
10	4.0	9.0	13.0	2,000	2,200	1,800	750	1,500	1,000
	5.0	11.0	13.0	1,300	2,000	1,500	600	1,250	800
	6.0	12.0	13.0	1,000	1,800	1,200	500	1,000	680
15	4.0	10.0	18.0	2,500	1,500	1,500	750	1,500	1,000
	5.0	11.0	18.0	2,000	1,250	1,000	600	1,250	800
	6.0	12.0	18.0	1,750	1,000	900	500	1,000	680
	7.5	13.5	18.0	1,000	800	700	350	800	500
	8.5	14.5	18.0	1,000	650	500	300	700	440
	9.0	12.5	18.0	1,000	700	520	270	650	410
	10.0	16.0	18.0	750	550	500	270	600	380
	11.0	19.0	18.0	450	400	350	270	500	340
13.0	12.0	18.0	750	520	490	200	480	280	
22.5	6.0	15.0	26.5	805	450	500	300	700	464
	7.0	16.0	26.5	700	450	500	250	550	380
	8.5	17.0	26.5	468	350	300	250	450	280
	10.0	18.5	26.5	396	350	300	160	350	235
	11.0	20.0	26.5	360	200	250	160	350	217
	13.0	22.0	26.5	300	150	200	130	300	-

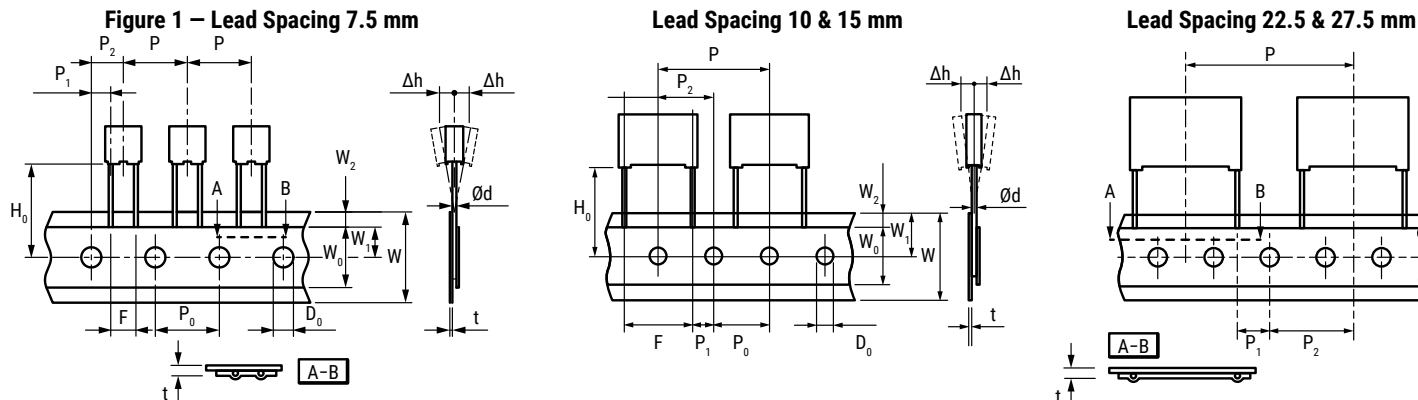
NOT FOR NEW DESIGN

Film Capacitors – Polypropylene Pulse/High Frequency Capacitors

R74, 125°C Single Metallized Polypropylene Film, Radial, AC Applications (Automotive Grade)

KEMET
a YAGEO company

Lead Taping & Packaging (IEC 60286-2)



Taping Specification

Description	Symbol	Dimensions (mm)					Tolerance
		Lead Spacing					
		7.5 Figure 1	10.0 Figure 2	15.0 Figure 2	22.5 Figure 3	27.5 Figure 3	
Lead wire diameter	d	0.5 – 0.6	0.6	0.6 – 0.8	0.8	0.8	±0.05
Taping lead space	P	12.7	25.4	25.4	38.1	38.1	±1
Feed hole lead space *	P ₀	12.7	12.7	12.7	12.7	12.7	±0.2 **
Centering of the lead wire	P ₁	2.6	7.7	5.2	7.8	5.3	±0.7
Centering of the body	P ₂	6.35	12.7	12.7	19.05	19.05	±1.3
Lead spacing ***	F	7.5	10.0	15.0	22.5	27.5	+0.6/-0.1
Component alignment	Δh	0	0	0	0	0	±2
Component deviation	Δp	0	0	0	0	0	±1
Height of component from tape center	H ₀ ****	18.5	18.5	18.5	18.5	18.5	±0.5
Carrier tape width	W	18	18	18	18	18	+1/-0.5
Hold down tape width	W ₀	6	9	10	10	10	Minimum
Hole position	W ₁	9	9	9	9	9	±0.5
Hold down tape position	W ₂	3	3	3	3	3	Maximum
Feed hole diameter	D ₀	4	4	4	4	4	±0.2
Total tape thickness	t	0.7	0.7	0.7	0.7	0.7	±0.2

* Available also 15 mm.

** Maximum 1 mm on 20 lead spacing.

*** 15 mm and 10 mm taped to 7.5 mm (crimped leads) available upon request.

**** H₀ = 16.5 mm is available upon request.

NOT FOR NEW DESIGN

Film Capacitors – Polypropylene Pulse/High Frequency Capacitors

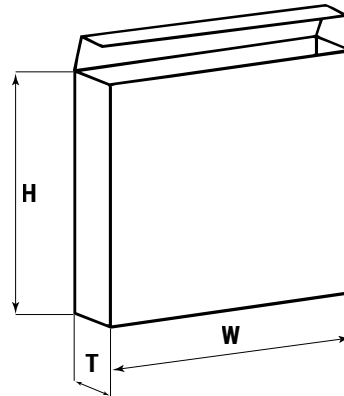
R74, 125°C Single Metallized Polypropylene Film, Radial, AC Applications (Automotive Grade)

KEMET
a YAGEO company

Lead Taping & Packaging (IEC 60286-2) cont.

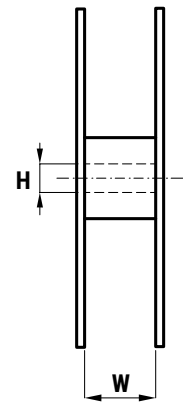
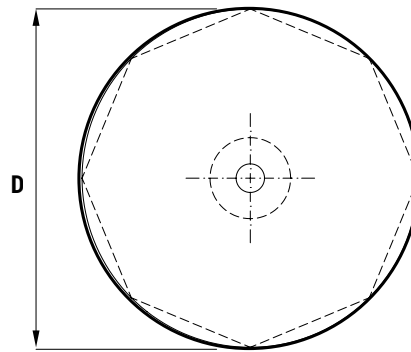
Ammo Specifications

Dimensions (mm)		
H	W	T
360	340	59



Reel Specifications

Dimensions (mm)		
D	H	W
355	30	55 Maximum
500	25	



NOT FOR NEW DESIGN

Film Capacitors – Polypropylene Pulse/High Frequency Capacitors

R74, 125°C Single Metallized Polypropylene Film, Radial, AC Applications (Automotive Grade)



KEMET Electronics Corporation Sales Offices

For a complete list of our global sales offices, please visit www.kemet.com/sales.

Disclaimer

All product specifications, statements, information and data (collectively, the "Information") in this datasheet are subject to change. The customer is responsible for checking and verifying the extent to which the Information contained in this publication is applicable to an order at the time the order is placed. All Information given herein is believed to be accurate and reliable, but it is presented without guarantee, warranty, or responsibility of any kind, expressed or implied.

Statements of suitability for certain applications are based on KEMET Electronics Corporation's ("KEMET") knowledge of typical operating conditions for such applications, but are not intended to constitute – and KEMET specifically disclaims – any warranty concerning suitability for a specific customer application or use. The Information is intended for use only by customers who have the requisite experience and capability to determine the correct products for their application. Any technical advice inferred from this Information or otherwise provided by KEMET with reference to the use of KEMET's products is given gratis, and KEMET assumes no obligation or liability for the advice given or results obtained.

Although KEMET designs and manufactures its products to the most stringent quality and safety standards, given the current state of the art, isolated component failures may still occur. Accordingly, customer applications which require a high degree of reliability or safety should employ suitable designs or other safeguards (such as installation of protective circuitry or redundancies) in order to ensure that the failure of an electrical component does not result in a risk of personal injury or property damage.

Although all product-related warnings, cautions and notes must be observed, the customer should not assume that all safety measures are indicated or that other measures may not be required.

KEMET is a registered trademark of KEMET Electronics Corporation.