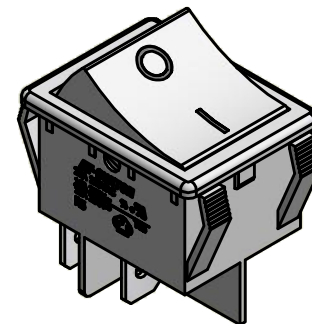
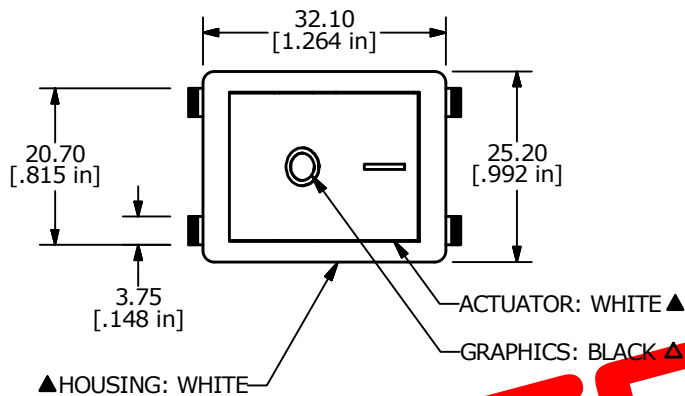
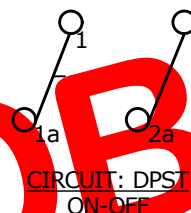


PANEL THICKNESS	X
0.70-1.25	30.1±0.1
1.25-2.00	30.3±0.1
2.00-3.00	30.7±0.1

RECOMMENDED PANEL MOUNTING

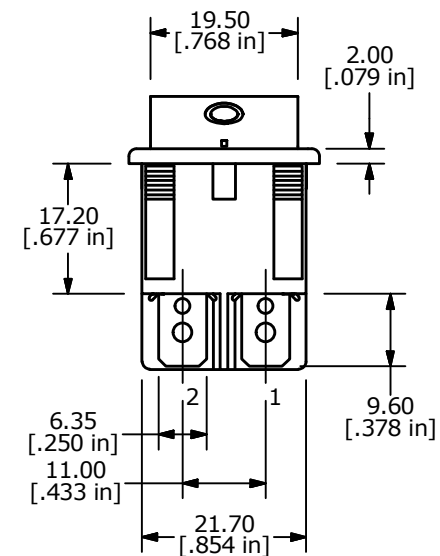
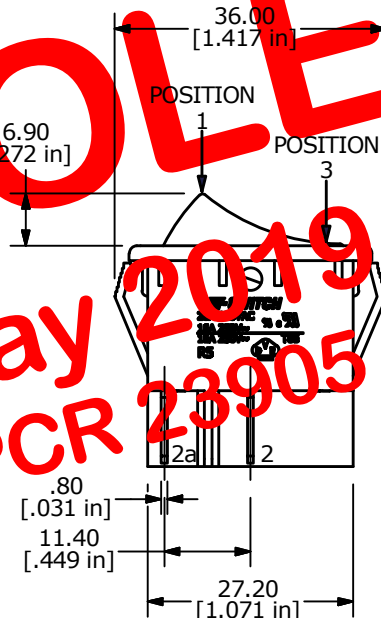


SWITCH FUNCTION		
POS. 1	POS. 2	POS. 3
OFF	NONE	ON
OPEN	N/A	1-1a, 2-2a



OBSOLETE

May 2019  
PCR 23905



- NOTES:
- ALL DIMENSIONS IN MM [INCH]
  - GENERAL TOLERANCE: X.X=±0.4  
X.XX=±0.25
  - TERM. NOS. FOR REF. ONLY
  - RATING: 20A @125VAC 3/4HP UL APPROVED  
16A @250VAC 1HP UL APPROVED   
16A @ 250VAC 1HP VDE APPROVED
  - ELECTRICAL LIFE: 10,000 CYCLES
  - MECHANICAL LIFE: 30,000 CYCLES
  - CONTACT RESISTANCE: <20 MILLI-OHMS INITIAL
  - DIELECTRIC STRENGTH: >1,500V AC 1MIN
  - INSULATION RESISTANCE: >1000MOHMS
  - OPERATING TEMP: TERMINAL SIDE: -20°C to 85°C  
ROCKER SIDE: -20°C to 55°C
  - ▲ DENOTES CRITICAL PARAMETER.
  - 2002/95/EC (ROHS) COMPLIANT

D	20125	ADD HP RATING	08/31/11	BMA
C	19762	UPDATE DRAWING	03/15/11	BMA
B	16144	UPDATE DWG TO CURRENT STANDARDS	06/14/06	CT
REV	PCR NO	DESCRIPTION	DATE	BY

**E-SWITCH®**

TITLE R5AWHTWHTFF0

SCALE 1:1	DATE 6/28/2005	DR BMA	DWG M050245	REV D
-----------	----------------	--------	-------------	-------