

## PCN – Process Change Notification

Change:	MA760.A.ABIC.003
Date:	2016/10/24
Author	Bonnie Chen

### Affected Products

Model#	Part Number	Changes
Pantheon Screwmount 3M GPS/GLONASS-RG174 SMA(M):LTE(1&2)-CFD-200 SMA(M):Wi-Fi CFD-200 RP-SMA(M)	MA760.A.ABIC.003	Amend Details of Drawing.
		Amend Package

### Type of Change

- Hardware Modification  
 Production Process Advance  
 Others –Amend Details of Drawing and Amend Package.

### Description of Change

1. Add Date Code Label and Long Part No. in Drawing.
2. Amend Wifi Label from 2.4/5GHz to be 2.4/5.8GHz.
3. Amend Dimensions and Tolerances.
4. Amend Title and BOM.
5. Amend Package.

### Schedule

2016, October, Taoglas will provide new drawing and packing rule into production.

### Forecast Estimated Transition Date

**October /2016**

### Illustration of Change

### Old Drawing

6	5	4	3	2	1																																																																													
ISD NO: EDW-12-8-0374		<Release>																																																																																
<p>Antenna Individual Box ( White ) 8 Boxes in 1 Carton Label x 2 Paste To Both Sides</p>		<table border="1" style="width:100%; border-collapse: collapse;"> <thead> <tr> <th>REV</th> <th>ZONE</th> <th>DESCRIPTION</th> <th>ENG</th> <th>APPROVED</th> <th>ISSUED DATE</th> </tr> </thead> <tbody> <tr> <td>△</td> <td>ALL</td> <td>Initial Design</td> <td>Gabriel</td> <td>Joanna</td> <td>2012/07/06</td> </tr> <tr> <td>△</td> <td>ALL</td> <td>Amend Drawing Content</td> <td>Sandy</td> <td>Joanna</td> <td>2012/10/16</td> </tr> <tr> <td>△</td> <td>ALL</td> <td>Main &amp; Diversity Label Change To LTE(MIMO1) and LTE(MIMO2)</td> <td>Sandy</td> <td>Wayne</td> <td>2012/12/21</td> </tr> <tr> <td>△</td> <td>ALL</td> <td>Amend Label And Label Color</td> <td>Sandy</td> <td>Joanna</td> <td>2013/08/27</td> </tr> </tbody> </table>		REV	ZONE	DESCRIPTION	ENG	APPROVED	ISSUED DATE	△	ALL	Initial Design	Gabriel	Joanna	2012/07/06	△	ALL	Amend Drawing Content	Sandy	Joanna	2012/10/16	△	ALL	Main & Diversity Label Change To LTE(MIMO1) and LTE(MIMO2)	Sandy	Wayne	2012/12/21	△	ALL	Amend Label And Label Color	Sandy	Joanna	2013/08/27																																																	
		REV	ZONE	DESCRIPTION	ENG	APPROVED	ISSUED DATE																																																																											
		△	ALL	Initial Design	Gabriel	Joanna	2012/07/06																																																																											
		△	ALL	Amend Drawing Content	Sandy	Joanna	2012/10/16																																																																											
△	ALL	Main & Diversity Label Change To LTE(MIMO1) and LTE(MIMO2)	Sandy	Wayne	2012/12/21																																																																													
△	ALL	Amend Label And Label Color	Sandy	Joanna	2013/08/27																																																																													
<table border="1" style="width:100%; border-collapse: collapse;"> <thead> <tr> <th>Name</th> <th>P/N</th> <th>Material</th> <th>Finish</th> <th>QTY</th> </tr> </thead> <tbody> <tr><td>1</td><td>Housing</td><td>00011F010015A</td><td>PC 540</td><td>Black</td><td>1</td></tr> <tr><td>2</td><td>Closed Cell Foam</td><td>00101F030015A</td><td>CR 4305</td><td>Black</td><td>1</td></tr> <tr><td>3</td><td>M30 Nut</td><td>00041F000015A</td><td>Steel AISI 1215</td><td>NI Plated</td><td>1</td></tr> <tr><td>4</td><td>Washer</td><td>00041F010015A</td><td>Steel AISI 1215</td><td>NI Plated</td><td>1</td></tr> <tr><td>5</td><td>Waterproof Gasket</td><td>00071J000015A</td><td>Silicon Rubber</td><td>Black</td><td>1</td></tr> <tr><td>6</td><td>Heat Shrink Tube</td><td>00131F000015A</td><td>PE (RG174)</td><td>Black</td><td>1</td></tr> <tr><td>7</td><td>Heat Shrink Tube</td><td>00131F010015A</td><td>PE (CFD200)</td><td>Black</td><td>3</td></tr> <tr><td>8</td><td>Rubber Stopper</td><td>00071F000015A</td><td>Silicone Rubber</td><td>Black</td><td>1</td></tr> <tr><td>9</td><td>GPS-Glonass Label</td><td>001012K010015A</td><td>Coated Paper</td><td>Orange</td><td>1</td></tr> <tr><td>10</td><td>2G/3G/4G MIMO1 Label</td><td>001012L080015A</td><td>Coated Paper</td><td>Gray</td><td>1</td></tr> <tr><td>11</td><td>2G/3G/4G MIMO2 Label</td><td>001012L090015A</td><td>Coated Paper</td><td>White</td><td>1</td></tr> <tr><td>12</td><td>2.4/5 GHz Label</td><td>001013C010015A</td><td>Coated Paper</td><td>Green</td><td>1</td></tr> </tbody> </table>		Name	P/N	Material	Finish	QTY	1	Housing	00011F010015A	PC 540	Black	1	2	Closed Cell Foam	00101F030015A	CR 4305	Black	1	3	M30 Nut	00041F000015A	Steel AISI 1215	NI Plated	1	4	Washer	00041F010015A	Steel AISI 1215	NI Plated	1	5	Waterproof Gasket	00071J000015A	Silicon Rubber	Black	1	6	Heat Shrink Tube	00131F000015A	PE (RG174)	Black	1	7	Heat Shrink Tube	00131F010015A	PE (CFD200)	Black	3	8	Rubber Stopper	00071F000015A	Silicone Rubber	Black	1	9	GPS-Glonass Label	001012K010015A	Coated Paper	Orange	1	10	2G/3G/4G MIMO1 Label	001012L080015A	Coated Paper	Gray	1	11	2G/3G/4G MIMO2 Label	001012L090015A	Coated Paper	White	1	12	2.4/5 GHz Label	001013C010015A	Coated Paper	Green	1				
Name	P/N	Material	Finish	QTY																																																																														
1	Housing	00011F010015A	PC 540	Black	1																																																																													
2	Closed Cell Foam	00101F030015A	CR 4305	Black	1																																																																													
3	M30 Nut	00041F000015A	Steel AISI 1215	NI Plated	1																																																																													
4	Washer	00041F010015A	Steel AISI 1215	NI Plated	1																																																																													
5	Waterproof Gasket	00071J000015A	Silicon Rubber	Black	1																																																																													
6	Heat Shrink Tube	00131F000015A	PE (RG174)	Black	1																																																																													
7	Heat Shrink Tube	00131F010015A	PE (CFD200)	Black	3																																																																													
8	Rubber Stopper	00071F000015A	Silicone Rubber	Black	1																																																																													
9	GPS-Glonass Label	001012K010015A	Coated Paper	Orange	1																																																																													
10	2G/3G/4G MIMO1 Label	001012L080015A	Coated Paper	Gray	1																																																																													
11	2G/3G/4G MIMO2 Label	001012L090015A	Coated Paper	White	1																																																																													
12	2.4/5 GHz Label	001013C010015A	Coated Paper	Green	1																																																																													
<table border="1" style="width:100%; border-collapse: collapse;"> <thead> <tr> <th>Name</th> <th>PIN</th> <th>Spec</th> <th>Finish</th> <th>QTY</th> </tr> </thead> <tbody> <tr><td>UU</td><td>Cable Length</td><td>3000±120mm</td><td></td><td></td></tr> <tr><td>VV</td><td>Cable Type</td><td>301313A000015A</td><td>RG174</td><td>Black</td><td>1</td></tr> <tr><td>WW</td><td>Cable Type</td><td>301413A000015A</td><td>CFD200</td><td>Black</td><td>3</td></tr> <tr><td>XX</td><td>Connector Type</td><td>200212G000015A</td><td>SMA(M) ST</td><td>Gold</td><td>1</td></tr> <tr><td>YY</td><td>Connector Type</td><td>200212G010015A</td><td>RP-SMA(M) ST</td><td>Gold</td><td>1</td></tr> <tr><td>ZZ</td><td>Connector Type</td><td>200212F000015A</td><td>SMA(M) ST</td><td>Gold</td><td>2</td></tr> </tbody> </table>		Name	PIN	Spec	Finish	QTY	UU	Cable Length	3000±120mm			VV	Cable Type	301313A000015A	RG174	Black	1	WW	Cable Type	301413A000015A	CFD200	Black	3	XX	Connector Type	200212G000015A	SMA(M) ST	Gold	1	YY	Connector Type	200212G010015A	RP-SMA(M) ST	Gold	1	ZZ	Connector Type	200212F000015A	SMA(M) ST	Gold	2																																									
Name	PIN	Spec	Finish	QTY																																																																														
UU	Cable Length	3000±120mm																																																																																
VV	Cable Type	301313A000015A	RG174	Black	1																																																																													
WW	Cable Type	301413A000015A	CFD200	Black	3																																																																													
XX	Connector Type	200212G000015A	SMA(M) ST	Gold	1																																																																													
YY	Connector Type	200212G010015A	RP-SMA(M) ST	Gold	1																																																																													
ZZ	Connector Type	200212F000015A	SMA(M) ST	Gold	2																																																																													
<p>UNLESS OTHERWISE SPECIFIED TOLERANCES IN:</p> <p>XX ± 50    X ± 10  XX ± 65    XX ± 0.5  X ± 30    XXX ± 0.1</p>		DATE: 2012/07/06    MAT'L: UNIT: mm    FINISH: THIRD ANGLE PROJECTION    SCALE: 1/2																																																																																
APPROVED BY: Joanna CHECKED BY: Wayne DRAWN BY: Gabriel		CUSTOMERS SIGNATURE / DATE		TITLE: M768 Pantheon 4in1 Screwsant Antenna GPS-Glonass 3M RGL74 SMA00 ST 2G/3G/4G MIMO1 3M CFD-200 SMA00 ST 2G/3G/4G MIMO2 3M CFD-200 SMA00 ST 2.4/5 GHz 3M CFD-200 RP-SMA00 ST																																																																														
		PART NO.: MA760.A.AB.C.003																																																																																
6	5	4	3	2	1																																																																													

New Drawing

6	5	4	3	2	1	
ISO NO: EDW-12-8-0374		<Release>		REV	ZONE	
<p>Top View <math>\triangle</math></p> <p style="text-align:right;">①</p>		<p>DESCRIPTION</p> <p>Initial Design</p> <p>Amend Drawing Content</p> <p>Min &amp; Max Label Change to LTE(MIMO 1) and LTE(MIMO 2)</p> <p>Amend Label and Label Color</p> <p>1PCS/BOX</p>		ENG	APPROVED	ISSUED DATE
				Gabriel	Joanna	2012/07/06
				Sandy	Joanna	2012/10/16
				Sandy	Wayne	2012/12/21
				Sandy	Joanna	2013/08/27
Bonnie	Wayne	2016/10/03				

<p>Front View <math>\triangle</math></p> <p style="text-align:right;">④ ⑤ ⑥</p> <p>M30*2P32L</p>	<p>Bottom Thread View <math>\triangle</math></p> <p>⑦ Cable Outlet</p> <p>SMA(M)ST <math>\triangle</math></p> <p>1/4-36UNS-2B</p> <p>8.4±0.6</p> <p>8 HEX</p> <p>Detail A Scale:2:1</p> <p>RP-SMA(M)ST <math>\triangle</math></p> <p>1/4-36UNS-2B</p> <p>8.5±0.6</p> <p>8 HEX</p> <p>Detail B Scale:2:1</p> <p>Detail C <math>\triangle</math></p> <p>1/4-36UNS-2B</p> <p>8.5±0.6</p> <p>8 HEX</p> <p>Detail C Scale:2:1</p> <p>Note: <math>\triangle</math></p> <p>1. Part Number:MA760.A.A301111.B305111.I305111.C305151</p>
--	--

<p>Side View <math>\triangle</math></p> <p style="text-align:right;">⑧ ⑨ ⑩ ⑪ ⑫ ⑬ ⑭</p> <p>10±0.5</p> <p>17 REF <math>\triangle</math></p> <p>70±20</p> <p>3000±80 <math>\triangle</math></p>	<table border="1" style="width:100%; border-collapse: collapse;"> <thead> <tr> <th>Name</th> <th>P/N</th> <th>Material</th> <th>Finish</th> <th>QTY</th> </tr> </thead> <tbody> <tr><td>1 Housing</td><td>000111000015A</td><td>PC540</td><td>Black</td><td>1</td></tr> <tr><td>2 Waterproof Rubber</td><td>000711F000015A</td><td>Silicone Rubber</td><td>Black</td><td>1</td></tr> <tr><td>3 Double Sided Adhesive(Black Foam)</td><td>001011F030015A</td><td>3M 9448HK+CR4305</td><td>White Liner</td><td>1</td></tr> <tr><td>4 Washer M30</td><td>000411F010015A</td><td>Steel AISI 1006</td><td>Ni Plated</td><td>1</td></tr> <tr><td>5 M30 Nut</td><td>000411F000015A</td><td>Steel AISI 1006</td><td>Ni Plated</td><td>1</td></tr> <tr><td>6 M30x2P Thread 32L</td><td>000311F000015A</td><td>Zinc Alloy</td><td>Ni Plated</td><td>1</td></tr> <tr><td>7 Rubber Stopper</td><td>000711F010015A</td><td>Silicone Rubber</td><td>Black</td><td>1</td></tr> <tr><td>8 Heat Shrink Tube</td><td>001315C020000A</td><td>PE</td><td>Black</td><td>1</td></tr> <tr><td>9 Heat Shrink Tube</td><td>001315C030000A</td><td>PE</td><td>Black</td><td>3</td></tr> <tr><td>10 GPS-Glonass Label</td><td>001012K010015A</td><td>PEPA</td><td>Orange</td><td>1</td></tr> <tr><td>11 2G/3G/4G MIMO1</td><td>001012L080015A</td><td>PEPA</td><td>Gray</td><td>1</td></tr> <tr><td>12 2G/3G/4G MIMO2</td><td>001012L090015A</td><td>PEPA</td><td>White</td><td>1</td></tr> <tr><td>13 2.4/5.8 GHz Label (48x30)</td><td>001016G070000A</td><td>PEPA</td><td>Teal Green</td><td>1</td></tr> <tr><td>14 Barcode Label (48*30)</td><td>001013G000015A</td><td>PEPA</td><td>White</td><td>1</td></tr> </tbody> </table> <table border="1" style="width:100%; border-collapse: collapse;"> <thead> <tr> <th>Name</th> <th>P/N</th> <th>Spec</th> <th>Finish</th> <th>QTY</th> </tr> </thead> <tbody> <tr><td>XX Connector Type</td><td>200212G000015A</td><td>SMA(M)ST</td><td>Au Plated</td><td>1</td></tr> <tr><td>YY Connector Type</td><td>200212G010015A</td><td>SMA(M)ST</td><td>Au Plated</td><td>2</td></tr> <tr><td>ZZ Connector Type</td><td>200212F000015A</td><td>RP-SMA(M)ST</td><td>Au Plated</td><td>1</td></tr> <tr><td>VV Cable Type</td><td>301315C000000A</td><td>RG-174</td><td>Black</td><td>1</td></tr> <tr><td>WW Cable Type</td><td>301415C010000A</td><td>CFD-200</td><td>Black</td><td>3</td></tr> </tbody> </table>	Name	P/N	Material	Finish	QTY	1 Housing	000111000015A	PC540	Black	1	2 Waterproof Rubber	000711F000015A	Silicone Rubber	Black	1	3 Double Sided Adhesive(Black Foam)	001011F030015A	3M 9448HK+CR4305	White Liner	1	4 Washer M30	000411F010015A	Steel AISI 1006	Ni Plated	1	5 M30 Nut	000411F000015A	Steel AISI 1006	Ni Plated	1	6 M30x2P Thread 32L	000311F000015A	Zinc Alloy	Ni Plated	1	7 Rubber Stopper	000711F010015A	Silicone Rubber	Black	1	8 Heat Shrink Tube	001315C020000A	PE	Black	1	9 Heat Shrink Tube	001315C030000A	PE	Black	3	10 GPS-Glonass Label	001012K010015A	PEPA	Orange	1	11 2G/3G/4G MIMO1	001012L080015A	PEPA	Gray	1	12 2G/3G/4G MIMO2	001012L090015A	PEPA	White	1	13 2.4/5.8 GHz Label (48x30)	001016G070000A	PEPA	Teal Green	1	14 Barcode Label (48*30)	001013G000015A	PEPA	White	1	Name	P/N	Spec	Finish	QTY	XX Connector Type	200212G000015A	SMA(M)ST	Au Plated	1	YY Connector Type	200212G010015A	SMA(M)ST	Au Plated	2	ZZ Connector Type	200212F000015A	RP-SMA(M)ST	Au Plated	1	VV Cable Type	301315C000000A	RG-174	Black	1	WW Cable Type	301415C010000A	CFD-200	Black	3
Name	P/N	Material	Finish	QTY																																																																																																						
1 Housing	000111000015A	PC540	Black	1																																																																																																						
2 Waterproof Rubber	000711F000015A	Silicone Rubber	Black	1																																																																																																						
3 Double Sided Adhesive(Black Foam)	001011F030015A	3M 9448HK+CR4305	White Liner	1																																																																																																						
4 Washer M30	000411F010015A	Steel AISI 1006	Ni Plated	1																																																																																																						
5 M30 Nut	000411F000015A	Steel AISI 1006	Ni Plated	1																																																																																																						
6 M30x2P Thread 32L	000311F000015A	Zinc Alloy	Ni Plated	1																																																																																																						
7 Rubber Stopper	000711F010015A	Silicone Rubber	Black	1																																																																																																						
8 Heat Shrink Tube	001315C020000A	PE	Black	1																																																																																																						
9 Heat Shrink Tube	001315C030000A	PE	Black	3																																																																																																						
10 GPS-Glonass Label	001012K010015A	PEPA	Orange	1																																																																																																						
11 2G/3G/4G MIMO1	001012L080015A	PEPA	Gray	1																																																																																																						
12 2G/3G/4G MIMO2	001012L090015A	PEPA	White	1																																																																																																						
13 2.4/5.8 GHz Label (48x30)	001016G070000A	PEPA	Teal Green	1																																																																																																						
14 Barcode Label (48*30)	001013G000015A	PEPA	White	1																																																																																																						
Name	P/N	Spec	Finish	QTY																																																																																																						
XX Connector Type	200212G000015A	SMA(M)ST	Au Plated	1																																																																																																						
YY Connector Type	200212G010015A	SMA(M)ST	Au Plated	2																																																																																																						
ZZ Connector Type	200212F000015A	RP-SMA(M)ST	Au Plated	1																																																																																																						
VV Cable Type	301315C000000A	RG-174	Black	1																																																																																																						
WW Cable Type	301415C010000A	CFD-200	Black	3																																																																																																						

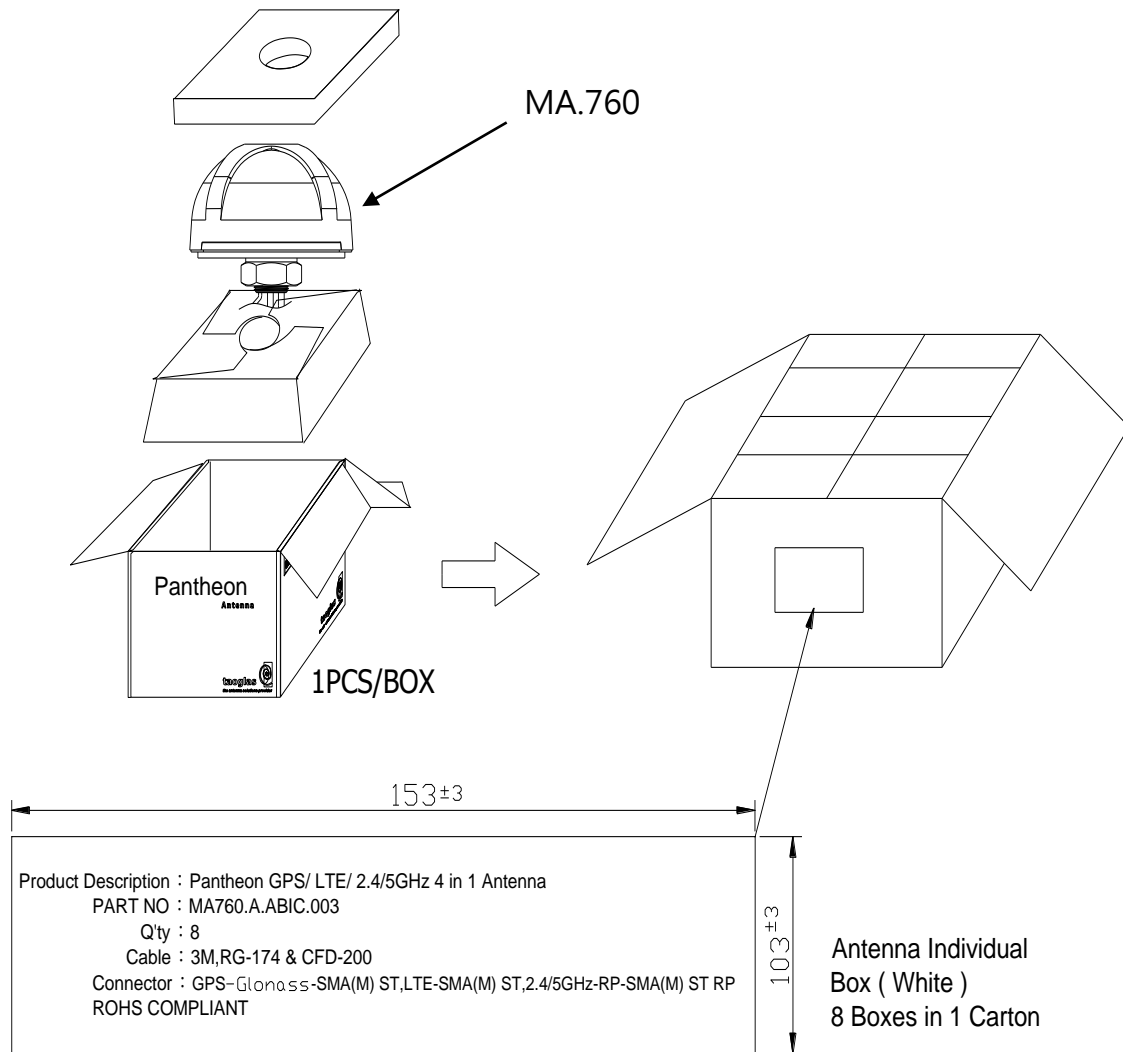
  

UNLESS OTHERWISE SPECIFIED TOLERANCES ON:	DATE: 2012/07/06	MAT'L:	REV
XX± 0.5 .XX± 0.2	UNIT: mm	FINISH:	E
XX± 0.3 .XXX± 0.05	THIRD ANGLE PROJECTION	SCALE: 1/2.5	A
APPROVED BY: Joanna	CHECKED BY: Wayne	DRAWN BY: Gabriel	CUSTOMERS SIGNATURE / DATE

<p>TITLE: ;Pantheon Screwmount 3M GPS/GLONASS-RG174 SMA(M) ;LTE(1&amp;2)-CFD-200 SMA(M);Wi-Fi CFD-200 RP-SMA(M)</p>	
<p>PART NO. : MA760.A.ABIC.003</p>	

**Old Package Rule**



**Label x 2 Paste To Both Sides**

**New Package Rule**

