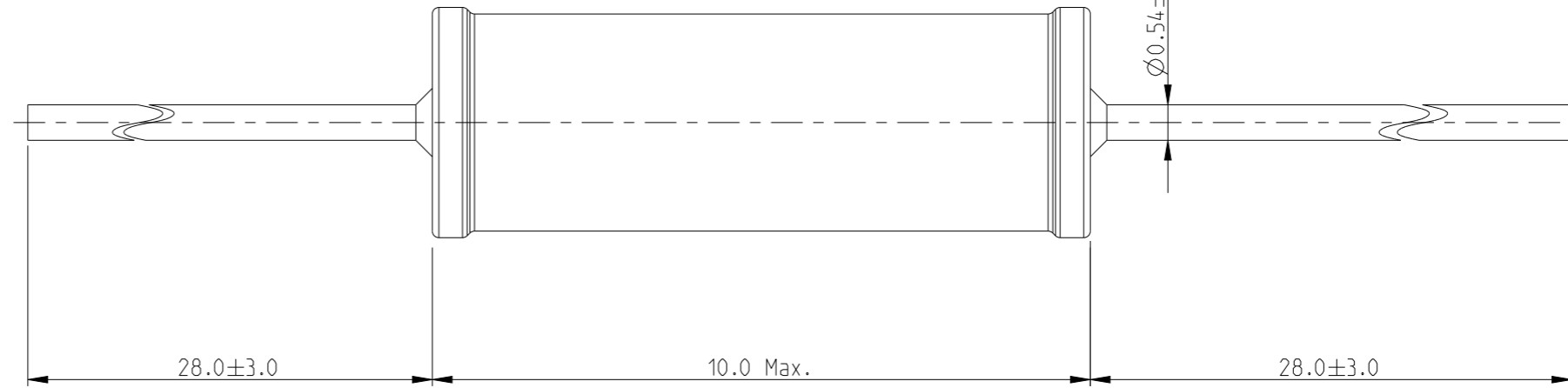
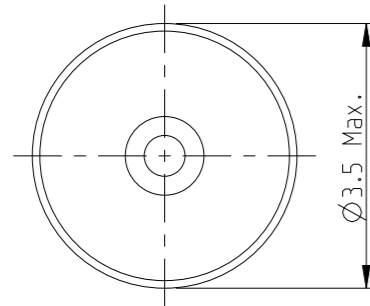


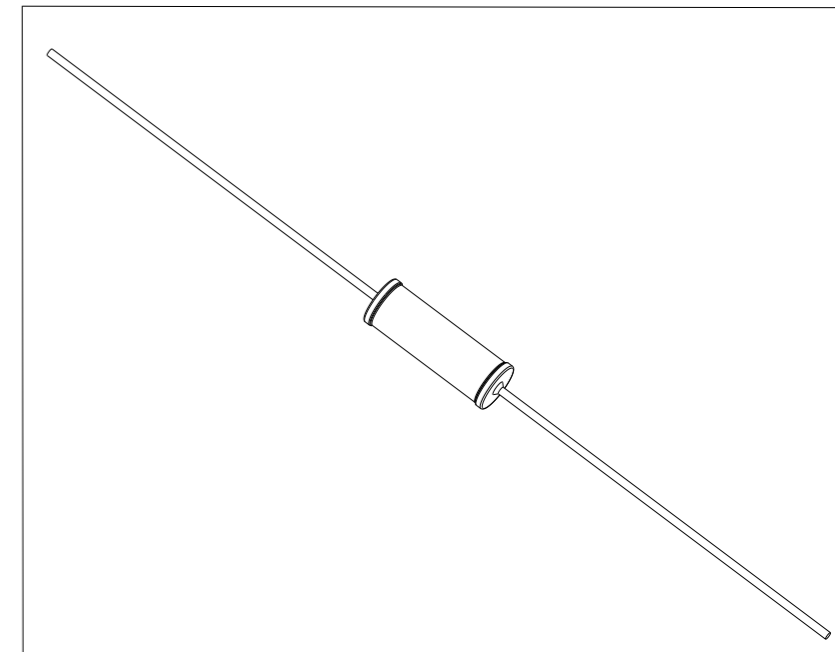
REVISIONS

P	LTR	DESCRIPTION	DATE	DWN	APVD
	BA	NEW RELEASE	07 JULY 2010	PT	St.P
	BB	CLARIFICATION OF DIMENSIONS	18 JAN 2023	DM	AP

FOR FURTHER INFORMATION SEE DATA SHEET FOR SERIES LR. METAL FILM FIXED RESISTORS



RoHS Compliant



THIS DRAWING IS A CONTROLLED DOCUMENT.		DWN	07 JULY 2010		
		CHK	07 JULY 2010		
		APVD	07 JULY 2010		
		ALLAN.P	STEPHEN.P	NAME METAL FILM FIXED RESISTORS SERIES LR2	
DIMENSIONS: mm		TOLERANCES UNLESS OTHERWISE SPECIFIED:		PRODUCT SPEC	
		0 PLC	$\pm 0.2$	APPLICATION SPEC	
		1 PLC	$\pm 0.1$	-	
		2 PLC	$\pm$	-	
		3 PLC	$\pm$	-	
MATERIAL		4 PLC	$\pm$	WEIGHT	
-		ANGLES	$\pm 5^\circ$	-	
		FINISH	-	CUSTOMER DRAWING	
				SIZE	A3
				CAGE CODE	00779
				DRAWING NO	C=1622782
				RESTRICTED TO	-
				SCALE	10:1
				SHEET	1 OF 1
				REV	BB