



Removable terminal 2-pole, push-in terminals up to maximum 1 x 4 mm² or 2 x 1.5 mm², (in shared wire-end ferrule), for SIRIUS devices in industrial standard mounting rail enclosure

product brand name	SIRIUS
product category	Removable terminals
product designation	Terminal for main circuit/2-pole
design of the product	Spring-loaded terminal (push-in)/1 x 4 mm ²
General technical data	
protection class IP	IP20
Substance Prohibitance (Date)	03/01/2017
type of connectable conductor cross-sections	<ul style="list-style-type: none"> • solid 0.5 ... 4 mm² • finely stranded with core end processing 0.5 ... 2.5 mm² • finely stranded without core end processing 0.5 ... 4 mm² • at AWG cables solid 20 ... 12 • at AWG cables stranded 20 ... 12
width	7.5 mm
Further information	

Information- and Downloadcenter (Catalogs, Brochures,...)

<https://www.siemens.com/ic10>

Industry Mall (Online ordering system)

<https://mall.industry.siemens.com/mall/en/en/Catalog/product?mlfb=3ZY1122-2BA00>

Cax online generator

<http://support.automation.siemens.com/WW/CAXorder/default.aspx?lang=en&mlfb=3ZY1122-2BA00>

Service&Support (Manuals, Certificates, Characteristics, FAQs,...)

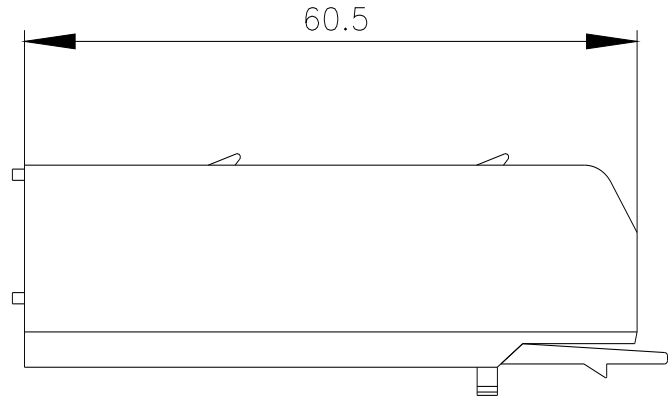
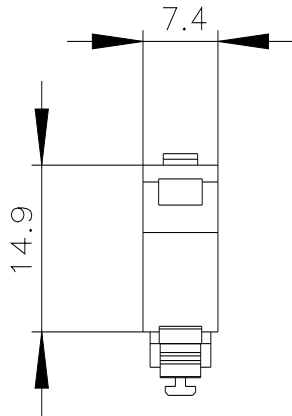
<https://support.industry.siemens.com/cs/ww/en/ps/3ZY1122-2BA00>

Image database (product images, 2D dimension drawings, 3D models, device circuit diagrams, EPLAN macros, ...)

http://www.automation.siemens.com/bilddb/cax_de.aspx?mlfb=3ZY1122-2BA00&lang=en

Characteristic: Derating

<https://support.industry.siemens.com/cs/ww/en/ps/3ZY1122-2BA00/manual>



last modified:

1/28/2021 