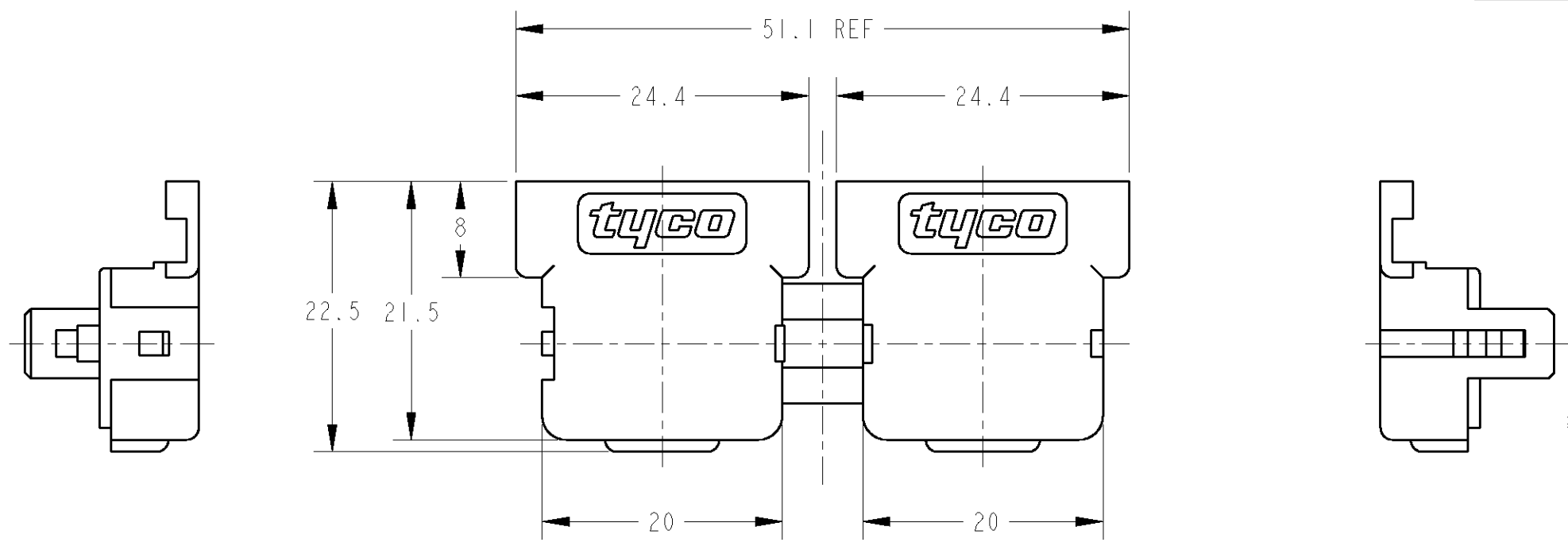


THIS DRAWING IS UNPUBLISHED. RELEASED FOR PUBLICATION 20
 © COPYRIGHT 20 BY TYCO ELECTRONICS CORPORATION. ALL RIGHTS RESERVED.

LOC	DIST	REVISIONS						
		P	LTR	DESCRIPTION	ECN	DATE	DWN	APVD
J	-		0	RELEASED	FJD0-0379-04	30NOV2004	J.A	S.M



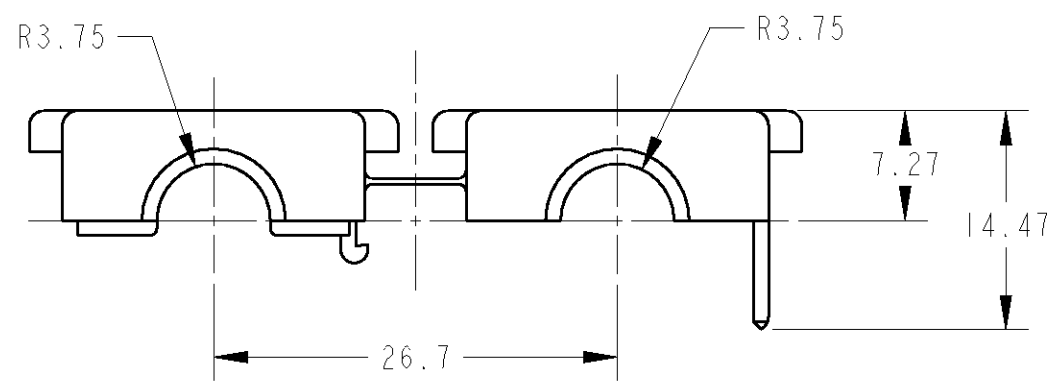
-1: AS SHOWN

製品規格

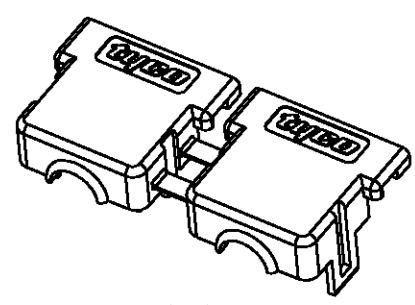
1. 材料 : ポリプロピレン 透明。
2. 使用温度範囲 : -20℃~+105℃
3. 適用電線 : UL1007 最大AWG18 被覆外径 ϕ 2.1
4. カバー開閉回数: MAX5回
5. セット後のヒンジ割れは機能上問題無い為許容する。
6. 気泡は許容する。

PRODUCT SPECIFICATION

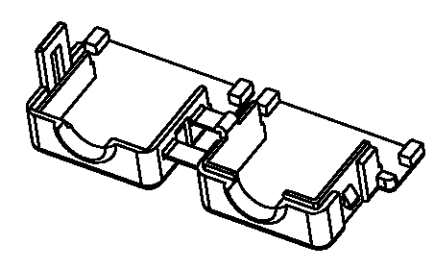
1. MATERIAL : POLYPROPYLENE CLEAR.
2. TEMPERATURE RATING : -20℃~+105℃
3. APPLICATION ELECTRICWIRE : UL1007 AWG18 MAX DIAMETER OF INSULATION : ϕ 2.1.
4. THE NUMBER OF TIMES OF COVER OPENING AND CLOSEING : 5 TIMES.
5. THE HINGE CRACK AFTER A SET IS PERMISSION. BECAUSE THERE IS NO PROBLEM ON THE FUNCTION.
6. AIR BUBBLES IS PERMISSION.



1827150-1
PART NUMBER



スケール 1:1



スケール 1:1

THIS DRAWING IS A CONTROLLED DOCUMENT FOR TYCO ELECTRONICS CORPORATION IT IS SUBJECT TO CHANGE AND THE CONTROLLING ENGINEERING ORGANIZATION SHOULD BE CONTACTED FOR THE LATEST REVISION.		DWN J. AKASAKA 30NOV2004	Tyco Electronics AMP K.K. Kawasaki, Japan	
DIMENSIONS: 単位: 概 mm		CHK D. MITSUGI 30NOV2004		
TOLERANCES UNLESS OTHERWISE SPECIFIED: 一般公差 ±0.3		APVD S. MANABE 30NOV2004	NAME 名称	
0-PLC ±		PRODUCT SPEC 製品規格	CABLE CLAMP 8P REC HSG DYNAMIC 3100D	
1-PLC ±		APPLICATION SPEC 取付適用規格	SIZE A3	
2-PLC ±		WEIGHT 1.8	CAGE CODE 00779	DRAWING NO 1827150
3-PLC ±		CUSTOMER DRAWING	RESTRICTED TO	
4-PLC ±			SCALE 2:1	SHEET 1 OF 1
ANGLES ±			REV 0	
FINISH 仕上				