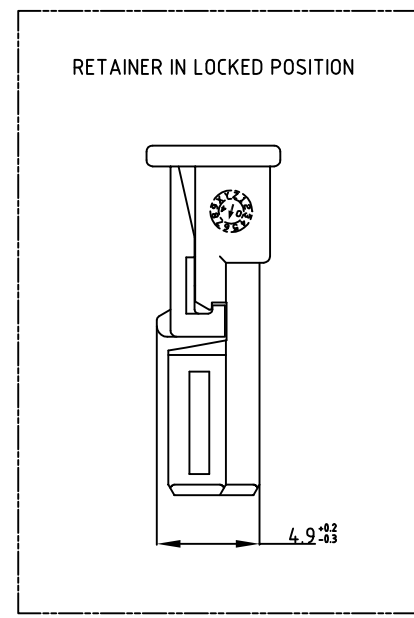
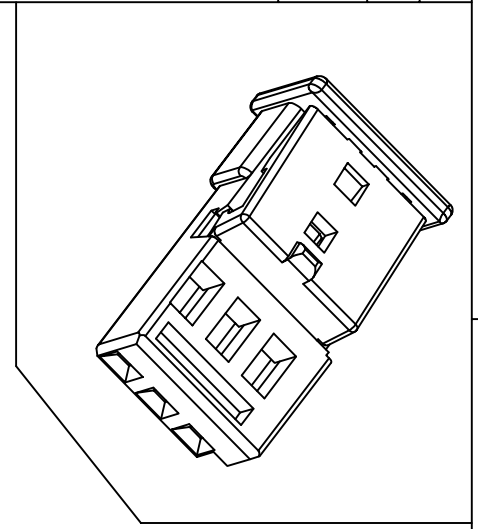
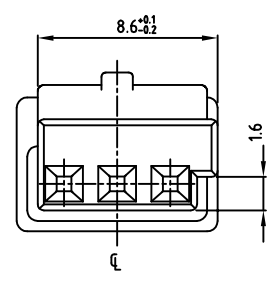
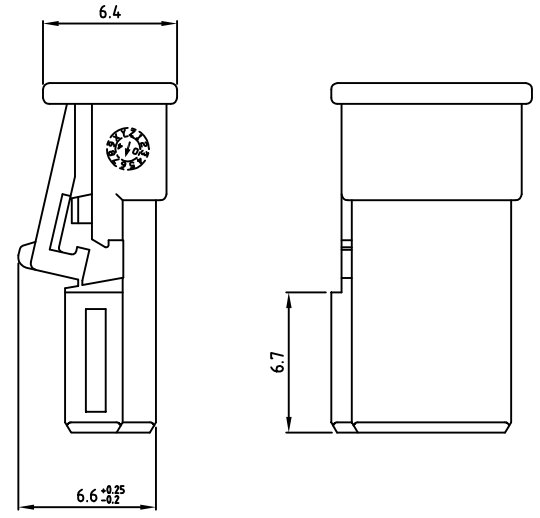
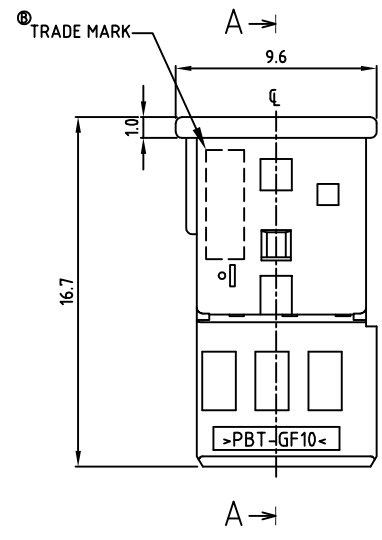
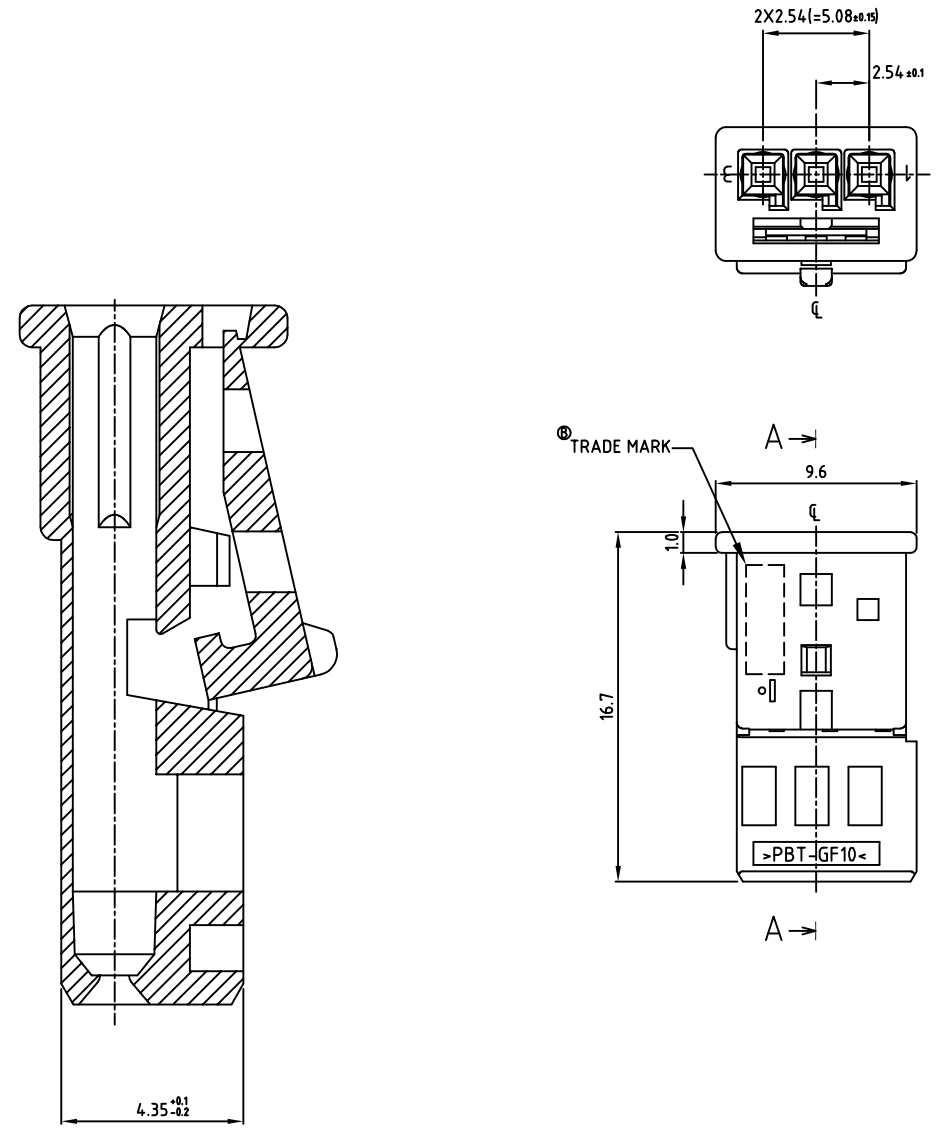


REVISIONS					
P	LTR	DESCRIPTION	DATE	DWN	APVD
A		REVISED (FC00-0030-05)	25JAN'05	YD	CS
B		REVISED (ECR-10-024376)	08DEC'10	SJ	HG
B1		REVISED (ECR-17-016653)	13NOV'17	HH	YJ



SECTION A-A
SCALE 8:1

NOTES

- GENERAL TOLERANCE : DIMENSION ±0.3 ANGLE ±3°
- SUITABLE FOR WIRE SIZE RANGE : 0.2-0.75mm²
- CONDITION AS DELIVERY : RETAINER IN PRE-LOCKED POSITION
- SUITABLE FOR PIN HEADER ASS'Y HSG : P/N X-1743156-X
- APPLICABLE RECEPTACLE CONTACT P/N ;

WIRE SIZE (mm ²)	0.2 - 0.5	0.75
PART NO.	0-928999-1	0-963715-1

PART NO.	DESCRIPTION	MATERIAL	COLOR
0-1743164-7	MQS PLUG HOUSING, 3POS	PBT-GF10	GREEN
0-1743164-2	MQS PLUG HOUSING, 3POS	PBT-GF10	BLACK
0-1743164-1	MQS PLUG HOUSING, 3POS	PBT-GF10	NATURAL

THIS DRAWING IS A CONTROLLED DOCUMENT.

DIMENSIONS: M/M	TOLERANCES UNLESS OTHERWISE SPECIFIED: SEE NOTES	DWN: S.J. CHOI	
MATERIAL: SEE TABLE	FINISH: -	CHK: J.W. JUNG	
		APVD: H.G. CHO	
		PRODUCT SPEC: -	
		APPLICATION SPEC: -	NAME: MQS LUG HOUSING, 3POS
		WEIGHT: -	SIZE: A2
		CUSTOMER DRAWING	CAGE CODE: 00779
			DRAWING NO: C-1743164
			RESTRICTED TO: -
			SCALE: 2:1
			SHEET 1 OF 1
			REV B1