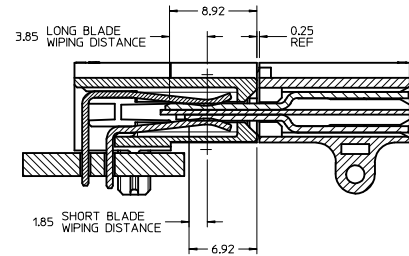
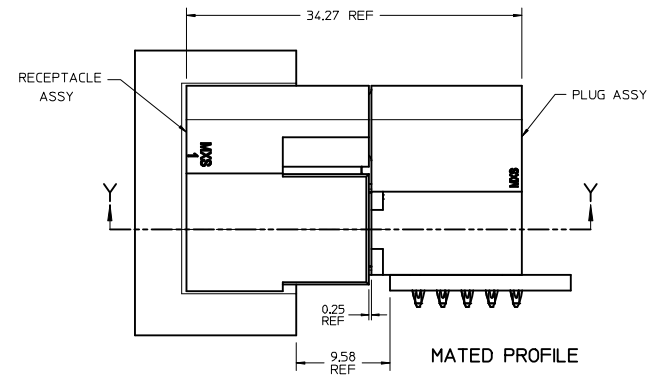
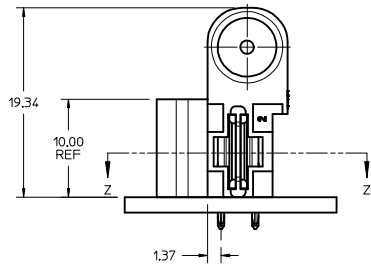


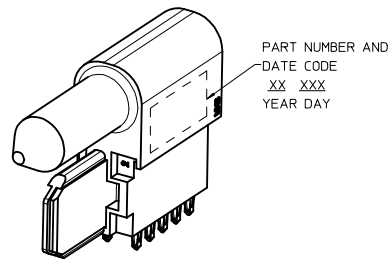
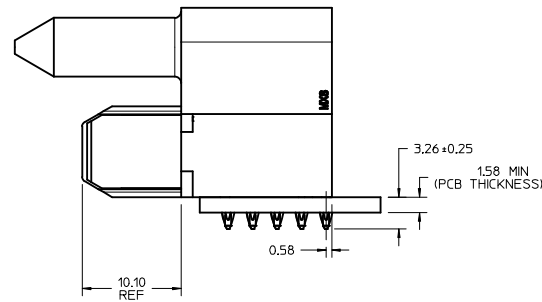
RECOMMENDED PCB LAYOUT AND KEEP OUT ZONE



SECTION Y-Y



SECTION Z-Z

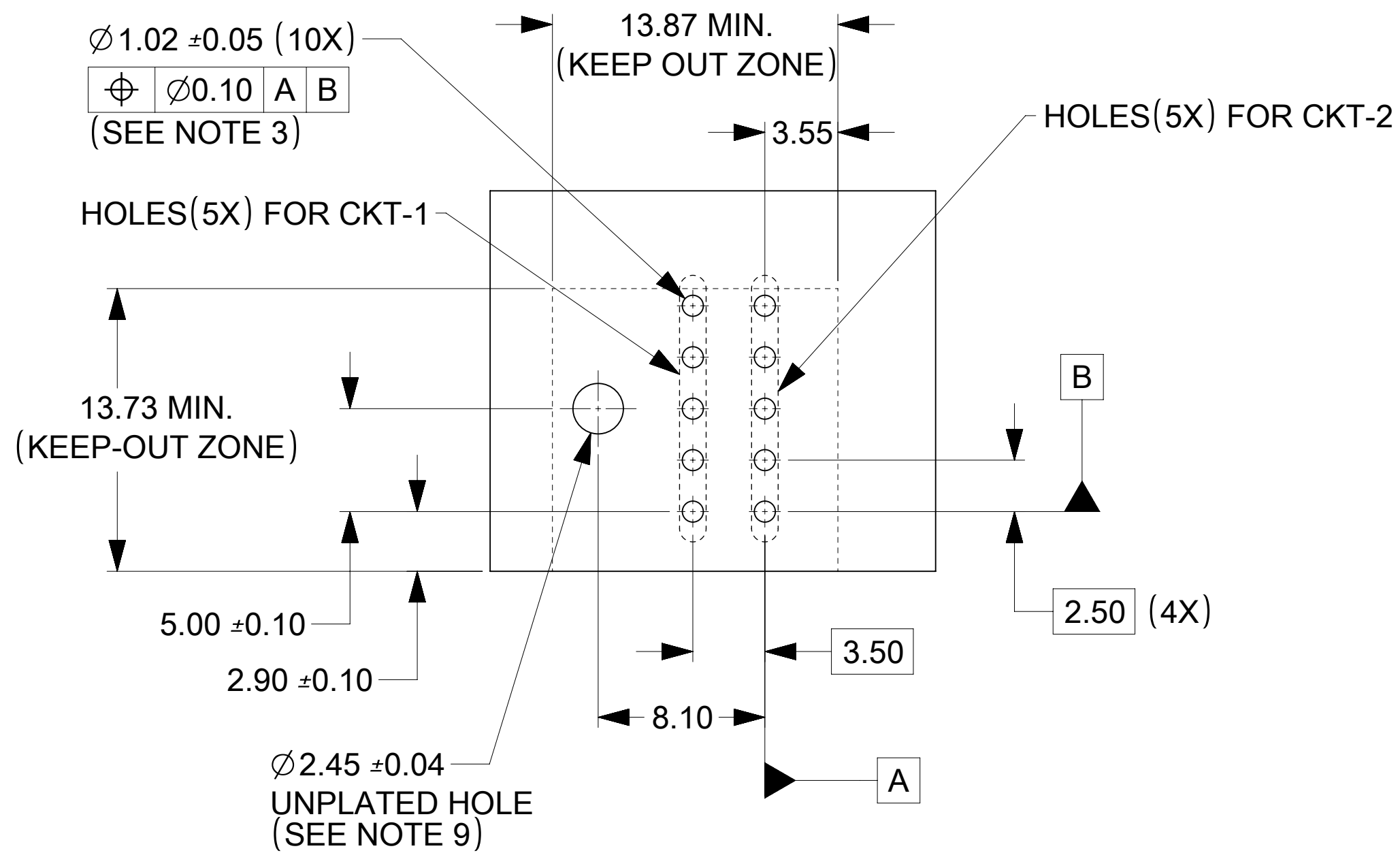
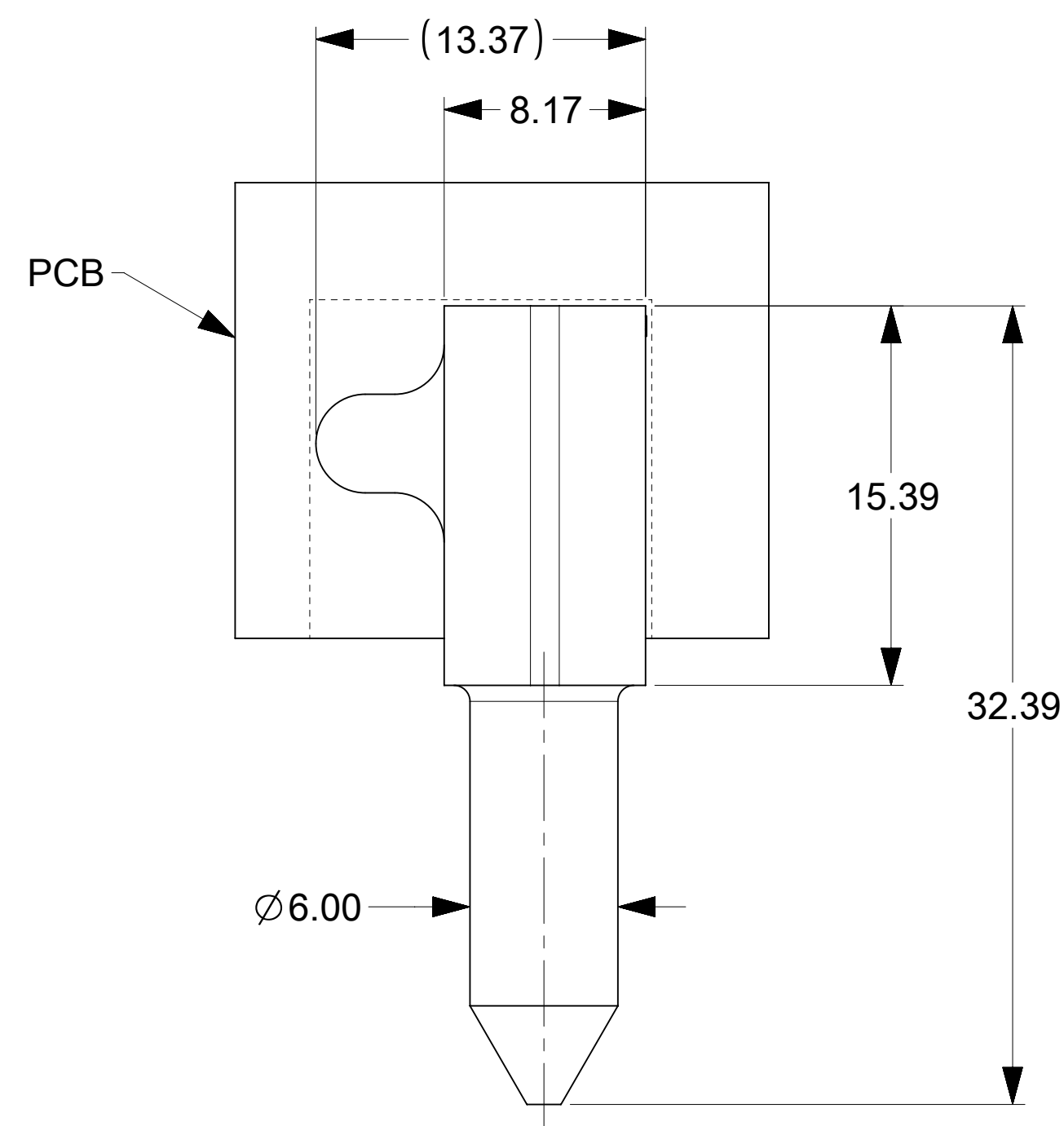


P/N: 172045-1001

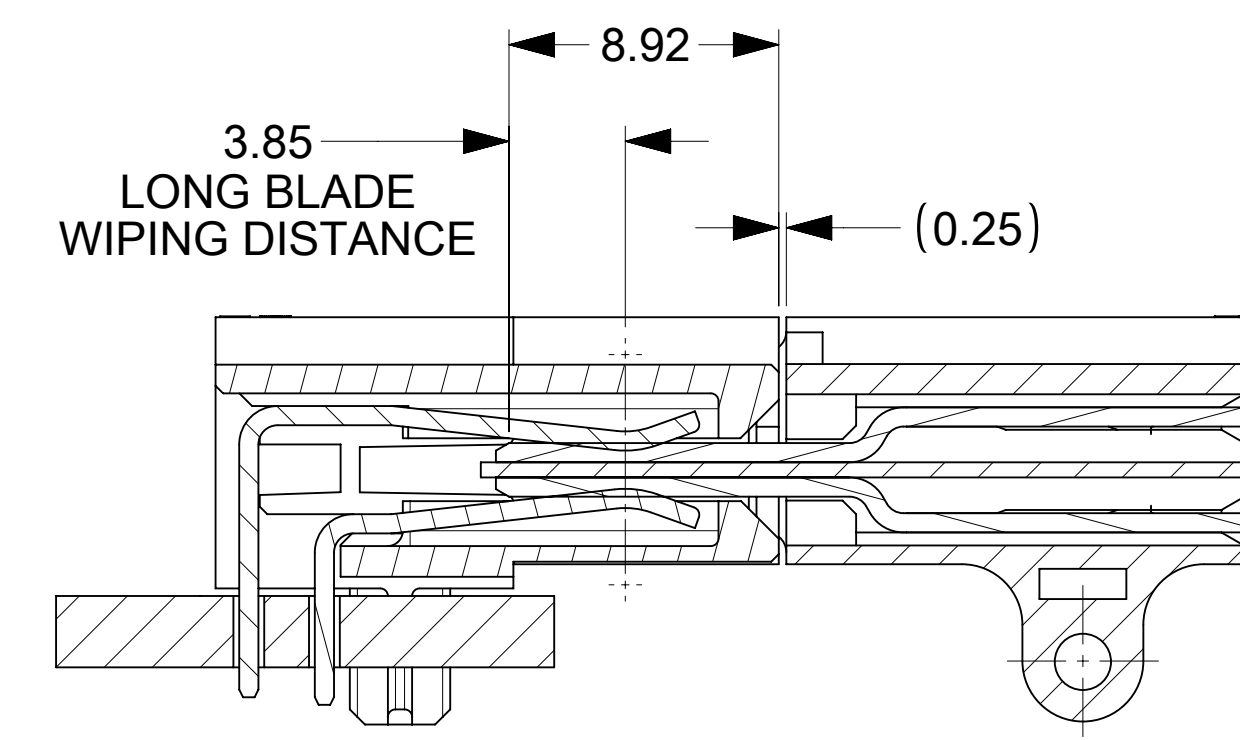
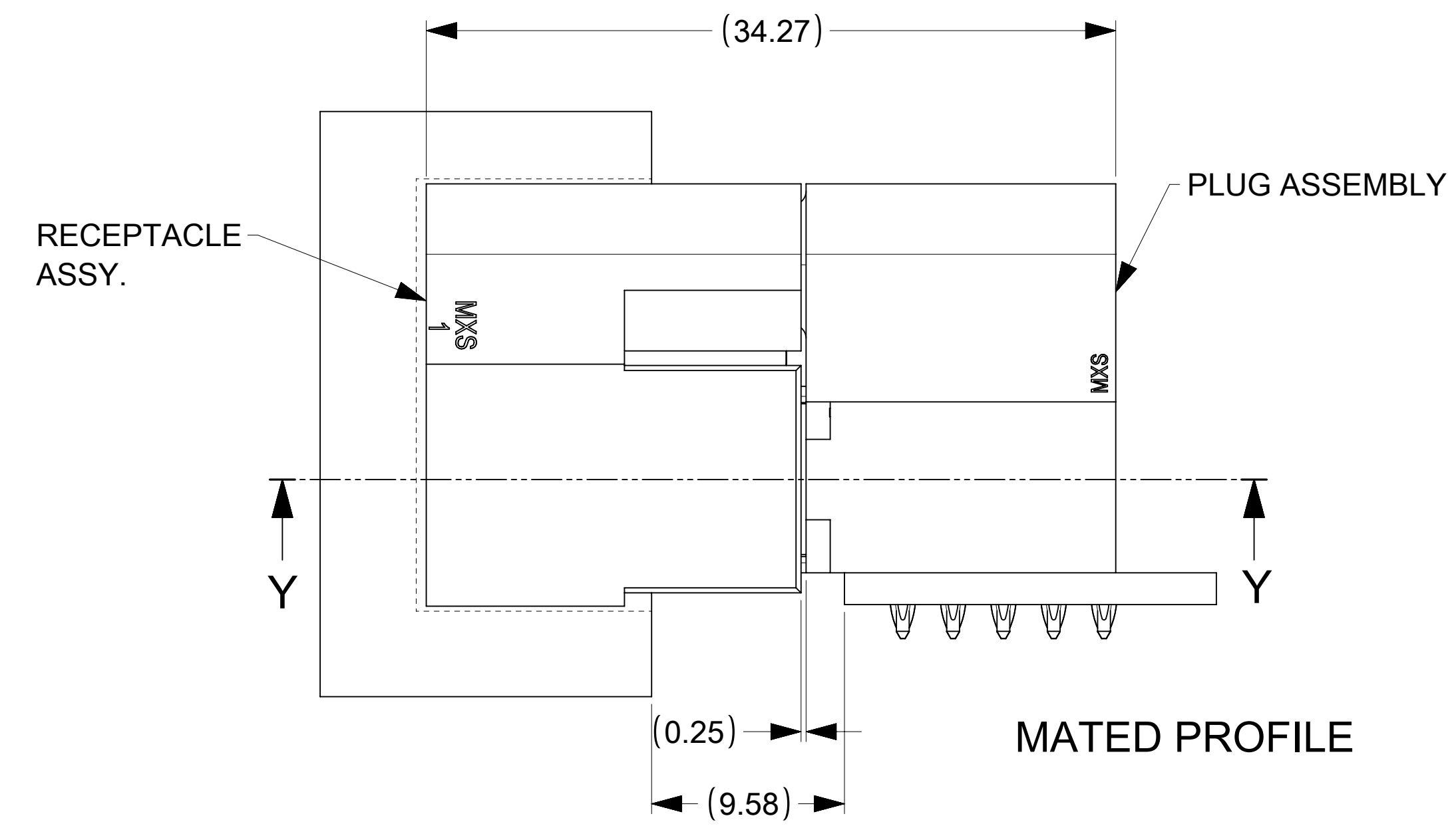
NOTES:

- MATERIAL:
 - HOUSINGS: LCP UL94, V-0, COLOR : BLACK
 - TERMINALS: HIGH CONDUCTIVITY COPPER ALLOY
 - PLATING: 1.27 MICROMETER MIN. (50 MICROINCH) NICKEL OVERALL WITH 2.54 MICROMETER MIN. (100 MICROINCH) SELECTIVE TIN ON TAILS AND 0.762 MICROMETER MIN. (30 MICROINCH) SELECTIVE GOLD ON CONTACT AREA
- PACKAGING: ASSEMBLIES TO BE TRAY PACKED PER PACKAGING SPEC: PK-172045-1001
- PLATED THRU HOLE SIZE, REFER TO PS-46436-100 FOR DETAILS
- PRODUCT SPEC: PS-172047-1001
- APPLICATION SPEC: AS-46436-100
- PRODUCT TO MEET RoHS REQUIREMENTS
- ASSEMBLY MATES TO MOLEX RECEPTACLE ASSEMBLY P/N 172047-1001.
- TAIL DESIGN: COMPLIANT PIN.
- SCREW NOT SUPPLIED BY MOLEX. USE #2-32 X .375 TYPE AB SELF TAPPING SCREW.
- RECOMMENDED SCREW LENGTH CAN BE USED WITH UP TO A 4.4mm MAX BOARD THICKNESS.
- POWER CIRCUITS ARE LUBRICATED

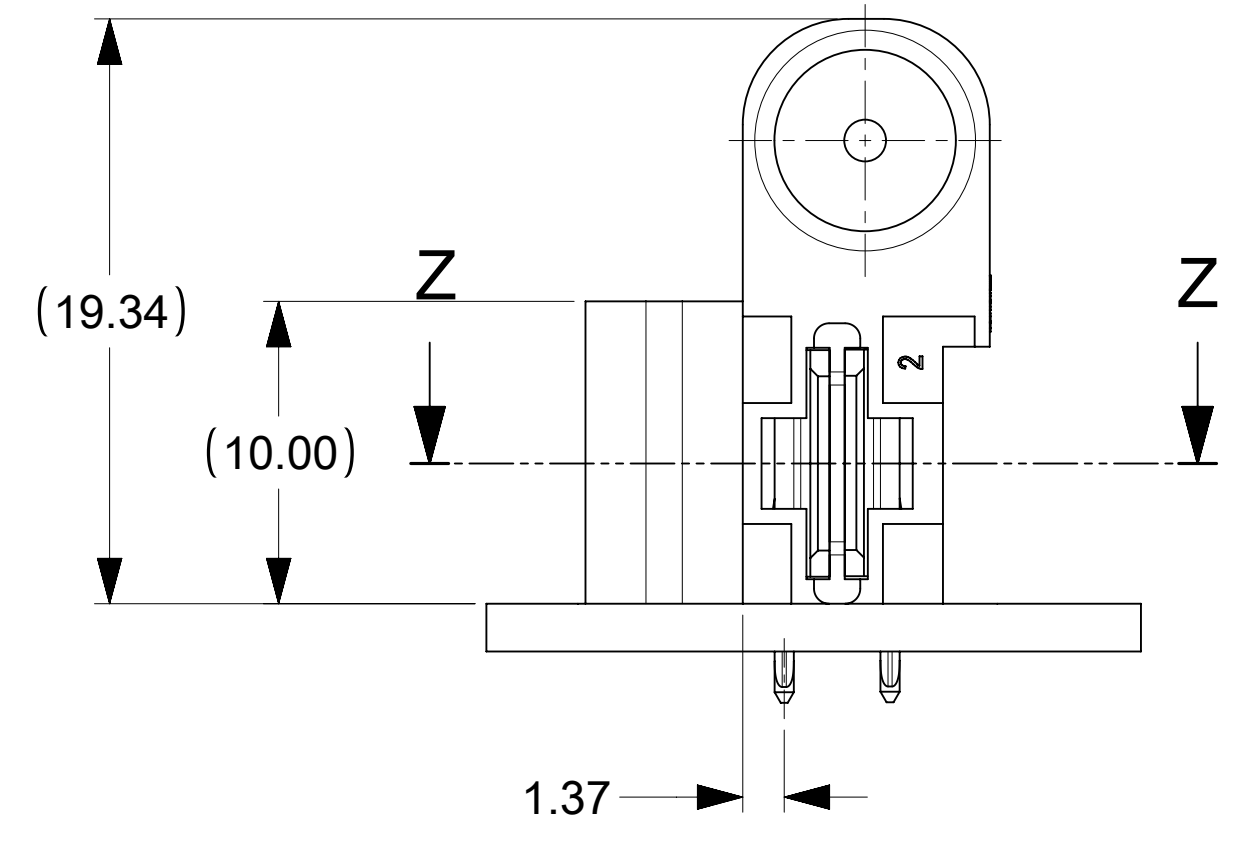
REVISED NOTE IEC NO. UCF2017-0110 DRAWN: JUILLES 2016/07/14 CHKD: BPI/SZCZOR 2016/07/14 APPR: BPI/SZCZOR 2016/07/26	QUALITY SYMBOLS	GENERAL TOLERANCES (UNLESS SPECIFIED)	DIMENSION STYLE	SCALE	DESIGN UNITS	THIRD ANGLE PROJECTION
	▽=0	mm INCH	MM ONLY	4:1	METRIC	ORTHOGONAL
	▽=0	4 PLACES ± --- ± ---	DRAWN BY DATE	EANG 2013/09/13	TITLE	ORTHO POWER PLUG ASSY
	▽=0	3 PLACES ± --- ± ---	CHECKED BY DATE	KHL/IM 2013/10/22	MATERIAL NO.	172045-1001
		ANGULAR ±1/2°	APPROVED BY DATE	DOCUMENT NO.	SD-172045-1001	SHEET NO.
		DRAFT WHERE APPLICABLE MUST REMAIN WITHIN DIMENSIONS	DATE			1 OF 1
			SIZE	THIS DRAWING CONTAINS INFORMATION THAT IS PROPRIETARY TO MOLEX INCORPORATED AND SHOULD NOT BE USED WITHOUT WRITTEN PERMISSION		



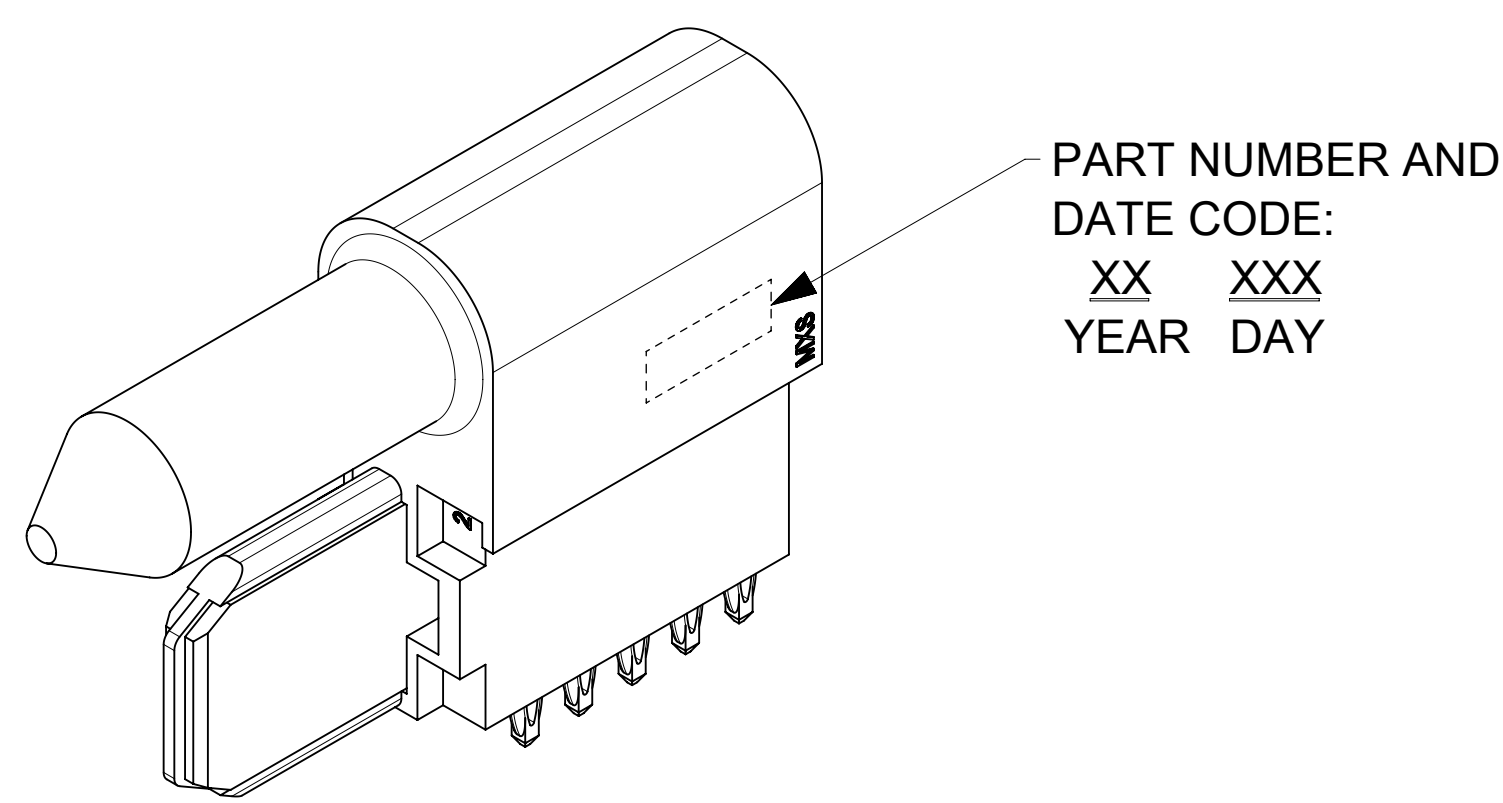
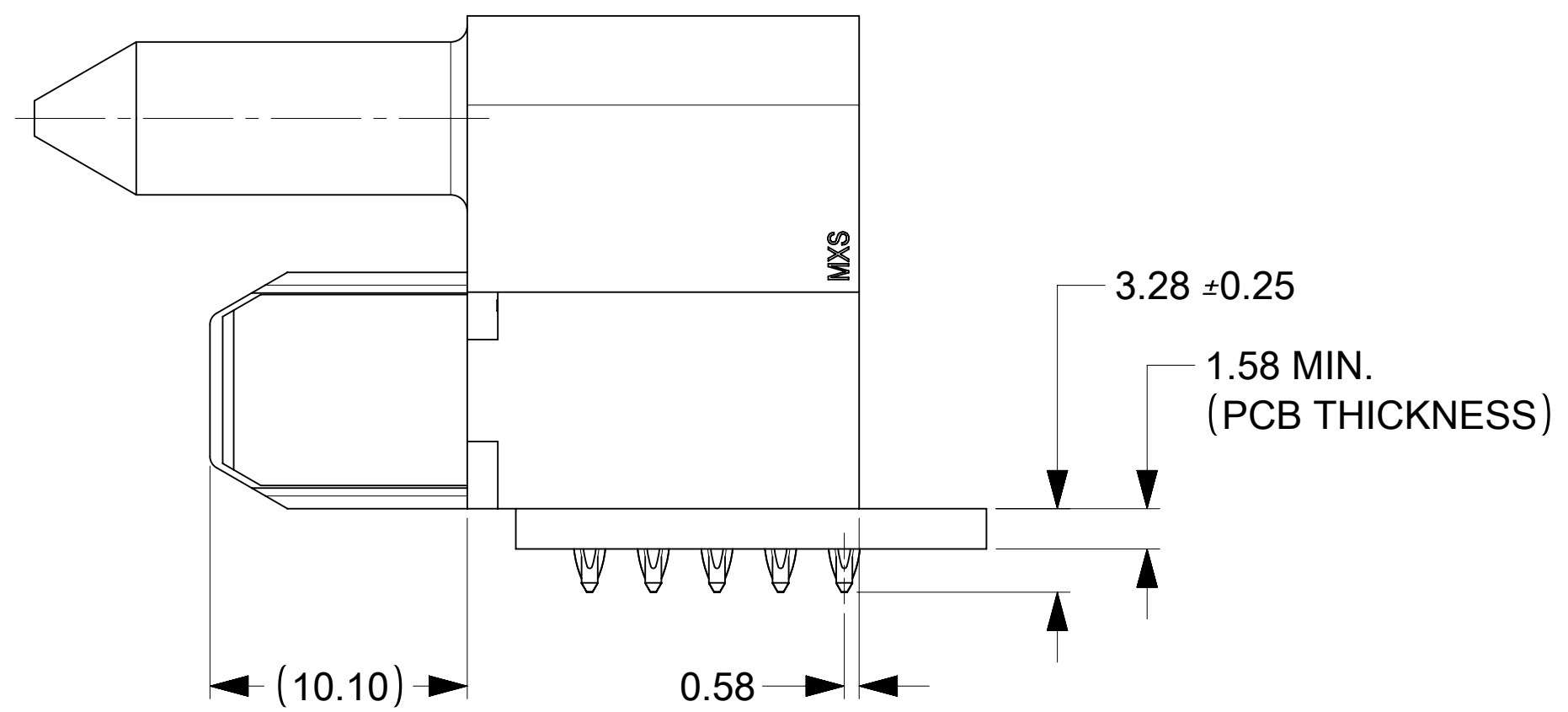
RECOMMENDED PCB LAYOUT AND KEEP OUT ZONE



SECTION Y-Y



SECTION Z-Z

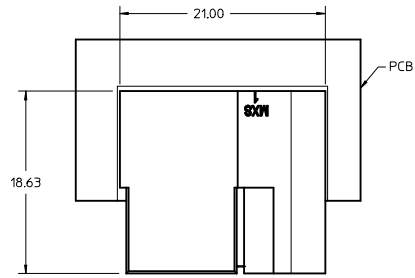


P/N: 172045-1002

NOTES:

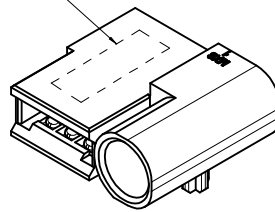
- MATERIAL:
 - HOUSINGS: LCP UL94, V-0, COLOR : BLACK
 - TERMINALS: HIGH CONDUCTIVITY COPPER ALLOY
 - PLATING: 1.27 MICROMETER MIN. (50 MICROINCH) NICKEL OVERALL WITH 2.54 MICROMETER MIN. (100 MICROINCH) SELECTIVE TIN ON TAILS AND 0.762 MICROMETER MIN. (30 MICROINCH) SELECTIVE GOLD ON CONTACT AREA
- PACKAGING: ASSEMBLIES TO BE TRAY PACKED PER PACKAGING SPEC: PK-172045-1002
- PLATED THRU HOLE SIZE, REFER TO PS-46436-100 FOR DETAILS.
- PRODUCT SPEC: PS-172047-1002
- APPLICATION SPEC: AS-46436-100
- PRODUCT TO MEET RoHS REQUIREMENTS.
- ASSEMBLY MATES TO MOLEX RECEPTACLE ASSEMBLY P/N 172047-1001.
- TAIL DESIGN: COMPLIANT PIN.
- SCREW NOT SUPPLIED BY MOLEX. USE #2-32 x .375 TYPE AB SELF TAPPING SCREW. RECOMMENDED SCREW LENGTH CAN BE USED WITH UP TO A 4.4mm MAX. BOARD THICKNESS.
- POWER CIRCUITS ARE LUBRICATED.

RE-MASTERED IN ECTR		2017/12/11		2017/12/18		2018/01/03		THIS DRAWING CONTAINS INFORMATION THAT IS PROPRIETARY TO MOLEX ELECTRONIC TECHNOLOGIES, LLC AND SHOULD NOT BE USED WITHOUT WRITTEN PERMISSION	
EC NO. 169570		DRWN: MUM		CHK'D: EANG		REV / APPR: EANG		GENERAL TOLERANCES (UNLESS SPECIFIED)	
4 PLACES ±		3 PLACES ±		2 PLACES ± 0.25		1 PLACES ± 0.38		MM INCH	
0 PLACES ±		ANGULAR TOL ± 0.5		DRAFT WHERE APPLICABLE MUST REMAIN WITHIN DIMENSIONS		D		mm 4:1	
DRWN BY		DATE		CHK'D BY		DATE		SCALE	
GES		2015/07/30		BANDURA		2015/11/16		4:1	
APPR BY		DATE		DRAWING SIZE		THIRD ANGLE PROJECTION		molex®	
BPISZCZOR		2015/12/30		D		Third Angle Projection		ORTHOPWR PLUG ASSY	
SERIES		MATERIAL NUMBER		CUSTOMER		PRODUCT CUSTOMER DRAWING			
172045		1720451002							
DOCUMENT NUMBER		DOC TYPE		DOC PART		SHEET NUMBER			
SD-172045-1002		PSD		001		1 OF 1			

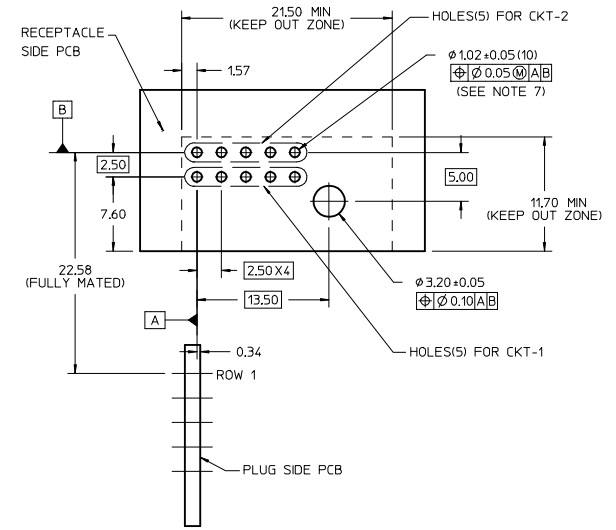
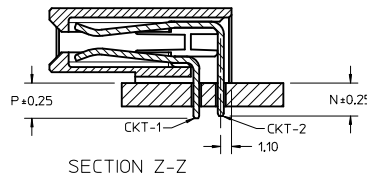
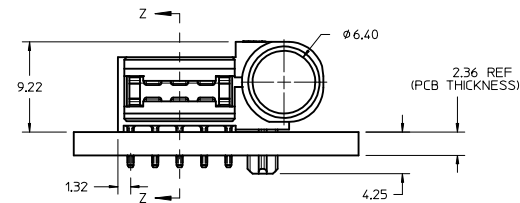


PART NUMBER AND DATE CODE

XX XXX
YEAR DAY



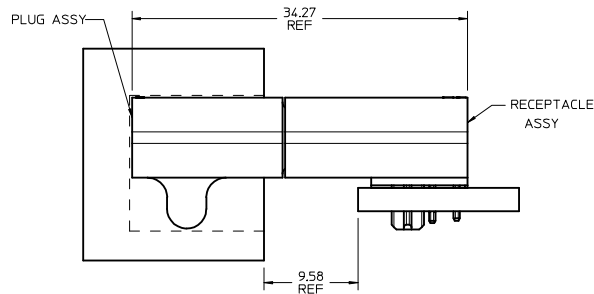
P/N: 172047-1001



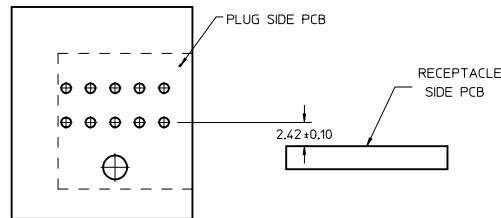
RECOMMENDED PCB LAYOUT AND KEEP OUT ZONE

NOTES:

1. MATERIAL HOUSING: GLASS FILLED LCP (LIQUID CRYSTAL POLYMER), 94V-0, COLOR-BLACK CONTACT: COPPER ALLOY
2. FINISH: SELECT GOLD - 0.76 MICROMETERS/30 MICROINCHES MINIMUM CONTACT SELECT TIN - 3.81 MICROMETERS/150 MICROINCHES MINIMUM TAIL BOTH OVER NICKEL - 1.27 MICROMETERS/50 MICROINCHES MINIMUM.
3. POWER TERMINALS LUBRICATED IN CONTACT AREA
4. PRODUCT SPECIFICATION: PS-172047-1001
5. PACKAGING: TRAY PACKED PER PACKAGING SPEC: PK-172047-1001.
6. PRODUCT TO MEET RoHS COMPLIANT
7. PLATED THRU HOLE SIZE, REFER TO PS-46114-001 FOR DETAILS
8. ASSEMBLY MATES TO MOLEX PART P/N: 172045-1001
9. TAIL DESIGN: SOLDER TAIL



MATED PROFILE



MATERIAL P/N	DIM P	DIM N
1720471001	3.60	3.35
1720471002	4.50	4.25
1720471003	2.90	2.65

REV DIM TO REF IEC NO: UCP2016-2684 DRAWN: OULLES 2016/01/05 CHKDRP: SZCZOR 2016/01/06 APPROB: PLSZCZOR	QUALITY SYMBOLS	GENERAL TOLERANCES (UNLESS SPECIFIED)	DIMENSION STYLE	SCALE	DESIGN UNITS	THIRD ANGLE PROJECTION
	$\nabla=0$ $\nabla=0$ $\nabla=0$	mm INCH 4 PLACES ± --- ± --- 3 PLACES ± --- ± --- 2 PLACES ± 0.25 ± --- 1 PLACE ± 0.25 ± --- ANGULAR ± 1/2°	MM ONLY	4:1	METRIC	
	DESCRIPTION	DRAFT WHERE APPLICABLE MUST REMAIN WITHIN DIMENSIONS	DRAWN BY: EANG DATE: 2013/09/23 CHECKED BY: DATE: APPROVED BY: KHLIM DATE: 2013/10/22	ORTHO POWER RECEPTACLE ASSY MOLEX INCORPORATED		
	MATERIAL NO. SD-172047-1001 SHEET NO. 1 OF 1	THIS DRAWING CONTAINS INFORMATION THAT IS PROPRIETARY TO MOLEX INCORPORATED AND SHOULD NOT BE USED WITHOUT WRITTEN PERMISSION				