

NOTES:

1. MATERIALS AND FINISHS:
 BODY-BRASS, GOLD PLATING
 CONTACT- BRASS, GOLD PLATING
 INSULATOR-PTFE, NATURAL

2. ELECTRICAL:
 A. IMPEDANCE: 50OHM
 B. FREQUENCY RANGE: DC-18GHZ
 C. DIELECTRIC WITHSTANDING VOTAGE : 1000VRMS, MIN.

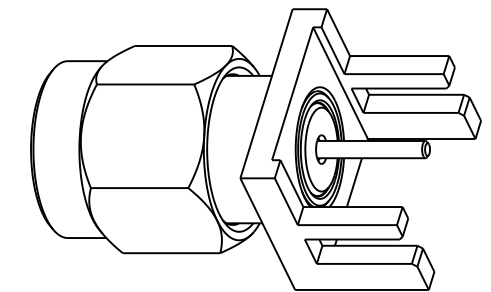
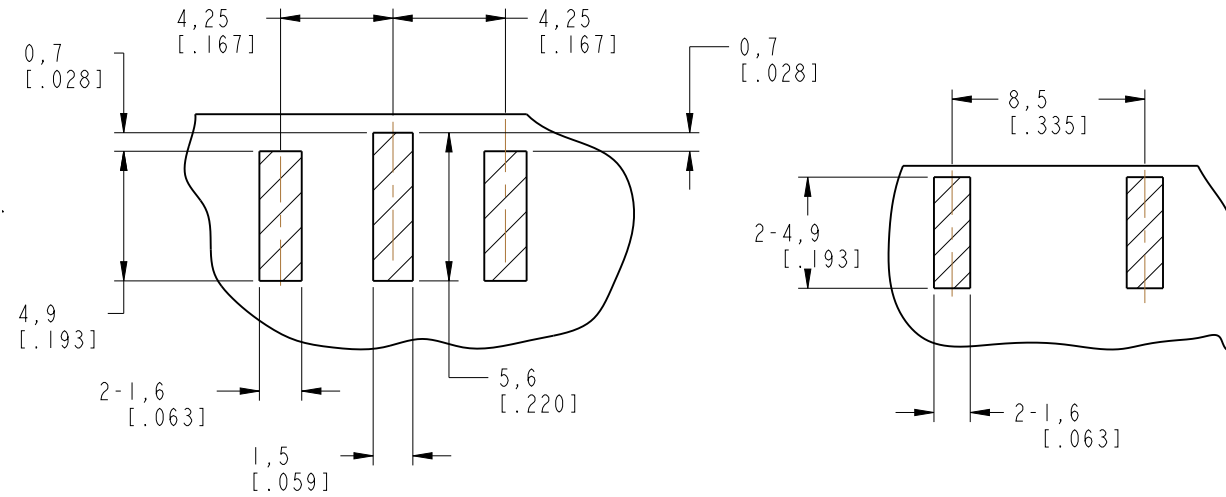
3. MECHANICAL:
 A. DURABILITY: 500CYCLES MIN.
 B. TEMPERATURE RANGE: -65°C TO +165°C

4. BOARD THICKNESS=1.57MM [.062]

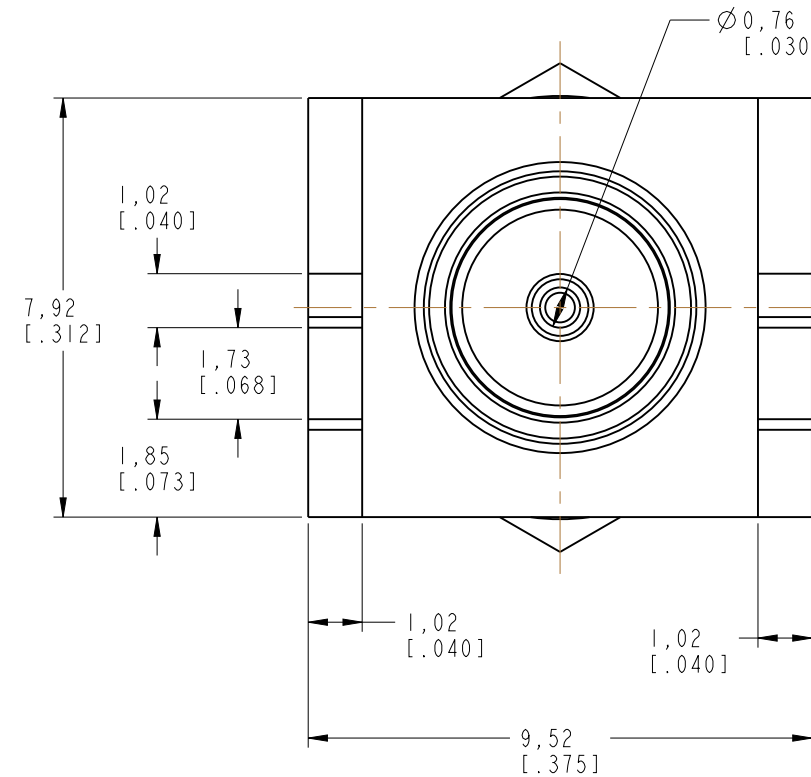
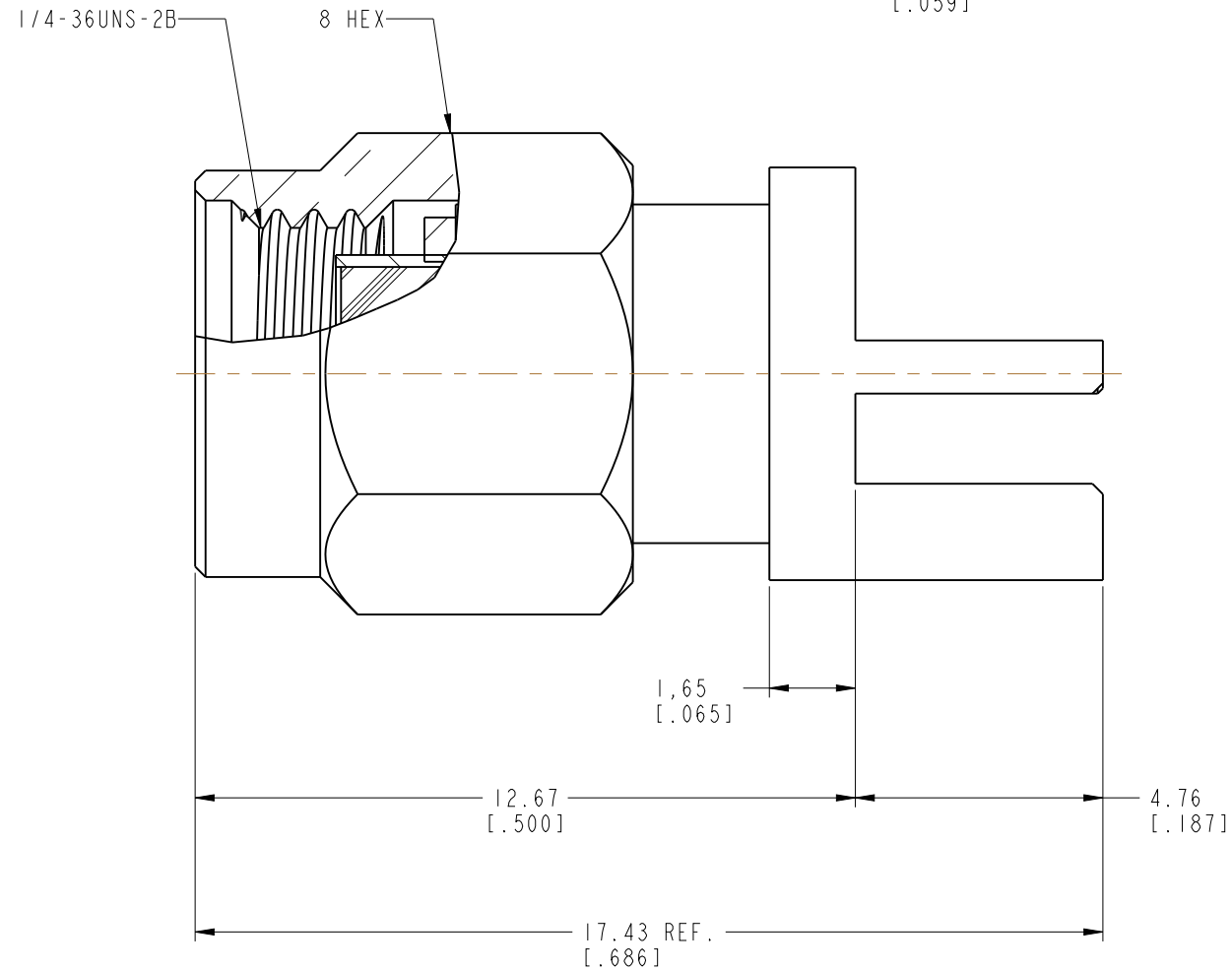
THIRD ANGLE PROJ.

REVISIONS

REV	DESCRIPTION	DATE	ECO	APPR
NC	INITIAL RELEASE	30-Mar-04	--	SH
A	ADD RECOMMENEDE PCB LAYOUT, UPDATE DRAWING FORMAT	22-Oct-13	2540	SH
C	SYNCH DRAWING\RD-DMI4101701J9	10-Nov-14	50226	SH



SCALE 3.000



CUSTOMER OUTLINE DRAWING

ALL OTHER SHEETS ARE FOR INTERNAL USE ONLY

UNLESS OTHERWISE SPECIFIED, DIMENSIONS ARE IN METRIC AND TOLERANCES ARE:
 <0.5mm ±0.05mm 0.5 - 6mm ±0.1mm 6 - 30mm ±0.2mm 30 - 120mm ±0.3mm ANGLES ±1°

NOTICE - These drawings, specifications, or other data (1) are, and remain the property of Amphenol corp. (2) must be returned upon request; and (3) are confidential and not to be disclosed to any person other than those to whom they are given by Amphenol Corp. the furnishing of these drawings, specifications, or other data by Amphenol Corp., or to any other person to anyone for any purpose is not to be regarded by implication or otherwise in any manner licensing, granting rights to permitting such holder or any other person to manufacture, use or sell any product, process or design, patented or otherwise, that may in any way be related to or disclosed by said drawings, specifications, or other data.

MATERIAL		DRAWN	JONA	DATE	06-Nov-14
REFERENCE	SMA1251A1-007-3GT50G-50	ENGINEER	SHAVON	DATE	12-May-08
CONFIGURATION LEVEL:	In Work	APPROVED	S.HSIEH	DATE	06-Nov-14
FINISH		CAD FILE			

TITLE	SMA END LAUNCH RECEPT. PLUG
SCALE:	7.0:1.0
SHEET	3 OF 3
DWG SIZE	B
REV	C

DRAWING NO.	
ITEM NO.	
PART NO.	132366

Amphenol Connex	
DRAWING NO.	
ITEM NO.	
PART NO.	132366