

Data sheet

E-DAT modul IP44SG flush mounted housing gray unequipped

Page 1/5

P/N

1309461003-I

EAN 4250184117179

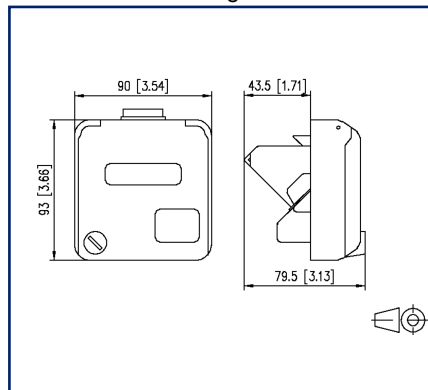
2023/04/24

Version: U

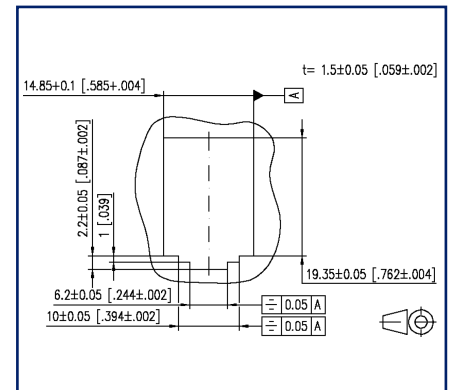
Illustrations



Dimensional drawing



Cut-out



See enlarged drawings at the end of document

Product specification

- lockable IP44 outlet, with two keys with lock with instantaneous locking action (identical locks and keys)
- cover closes completely, even when patch cables are plugged in
- UP housing for sill duct installation, or in conjunction with the flush-mounted UP installation outlet
- for two individual modules in Modul design
- ball-throw proof according to DIN 18032
- can be operated with standard patch cables
- clearly visible nomenclature panel
- variants: pure white, gray

E-DAT modul IP44SG flush mounted housing gray unequipped

P/N

1309461003-I

EAN 4250184117179

2023/04/24

Version: U

Technical Data

General Data

| | |
|---|--|
| Fields of application | office areas |
| Mechanical measurement according to MICE | M1 |
| Ingress measurement according to MICE | I1 |
| Climatic measurement according to MICE | C1 |
| Electromagnetic measurement according to MICE | E3 |
| Design | wall outlet |
| Mounting style | UP |
| Color | gray |
| Dimensions | |
| Dimension (L x W x H) | 79.5 mm x 90 mm x 93 mm |
| Dimension (L x W x H) | 3.13 in. x 3.543 in. x 3.661 in. |
| Modularity | yes |
| Labeling option | label window with identification label |

Connections/interfaces

| | |
|--------------------------------------|---|
| Number of ports interface 2 | 2 |
| Number of ports interface 2 equipped | 0 |

Mechanical data

| | |
|---------|--------|
| Cut-out | module |
|---------|--------|

Materials and material properties

| | |
|--------------|-----------|
| Halogen free | yes |
| RoHS | compliant |

Environmental conditions

| | |
|--------------------------|------------------|
| Particulate ingress | IP4X when closed |
| Liquid ingress/immersion | IPX4 when closed |

Standards/Regulations

| | |
|---|---------------------|
| Cover plates for installation devices 1 | DIN 49075-1:1989-10 |
| Cover plates for installation devices 2 | DIN 49075-2:1989-10 |

P | Cabling

Data sheet

Page 3/5

E-DAT modul IP44SG flush mounted housing gray unequipped

P/N

1309461003-I

EAN 4250184117179

2023/04/24

Version: U

Technical Data

Classifications

| | |
|----------|----------|
| ETIM 5.0 | EC001264 |
| ETIM 6.0 | EC001264 |
| ETIM 7.0 | EC001264 |
| ETIM 8.0 | EC001264 |
| ETIM 9.0 | EC001264 |

Packing details

| | |
|---------------------------------|-------------------------------------|
| Type of packaging | 5 pc(s) / box |
| Packaging unit - Weight (gram) | 762 g |
| Packaging unit - Weight (pound) | 1.68 lb |
| Packaging dimension | 310 mm x 262 mm x 122 mm |
| Packaging dimension | 12.205 in. x 10.315 in. x 4.803 in. |



P | Cabling

Data sheet

Page 4/5

E-DAT modul IP44SG flush mounted housing gray unequipped

P/N

1309461003-I

EAN 4250184117179

2023/04/24

Version: U

Accessories

| P/N | Designation |
|--------------|--|
| 130910-I | E-DAT modul Cat.6 _A 8(8) jack, T568A |
| 130910-I-B1 | E-DAT modul Cat.6 _A 8(8) jack, T568B |
| 130910-Z | E-DAT modul Cat.6 _A 8(8) jack, T568A (12 pcs) |
| 1309441903-I | Flush mounted built-in outlet gray |
| 1309A0-I | E-DAT modul coupler 8(8) 180° class E _A |
| 130B11-E | C6 _A modul 180° jack |



P | Cabling

Data sheet

Page 5/5

E-DAT modul IP44SG flush mounted housing gray unequipped

P/N

1309461003-I

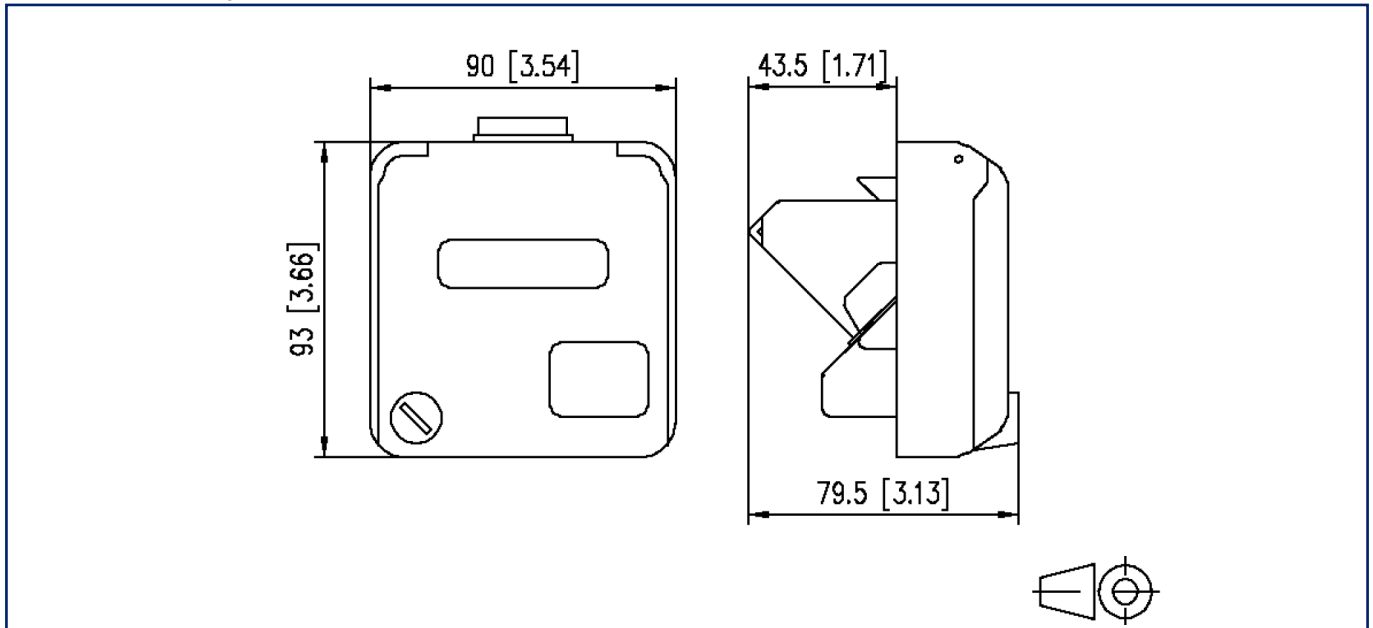
EAN 4250184117179

2023/04/24

Version: U

Illustrations

Dimensional drawing



Cut-out

