

THE PRIMARY CARTON WITH A LABEL STATING "ELV AND RoHS COMPLAINT" IS LEAD FREE. CARTONS WITHOUT THIS LABEL MAY CONTAIN LEAD.

**NOTES:**

1. MATERIAL: HOUSING - LIQUID CRYSTAL POLYMER (LCP) GLASS-FILLED. UL 94V-0. COLOR - GRAY. SIGNAL CONTACT AND GROUND BLADE - HIGH PERFORMANCE COPPER ALLOY.
2. FINISHES: SELECTIVE GOLD (Au) ON CONTACT AREA. SELECTIVE MATTE TIN (Sn) ON PCB TAILS, NICKEL (Ni) OVERALL.
3. THIS PART CONFORMS TO MOLEX PRODUCT SPECIFICATION PS-75221-999.
4. FOR MIXED CONTACT MATING LENGTHS CONSULT MOLEX FOR AVAILABILITY.
5. 10 COLUMN 3 PAIR L-SERIES SHOWN FOR ILLUSTRATION PURPOSES ONLY. FOR SPECIFIC PART NUMBER AND MATING INFORMATION PLEASE REFER TO CHART.
6. PACKAGE PER PK-70873-576.
7. EITHER MARK PART NUMBER AND DATE CODE APPROXIMATELY WHERE SHOWN OR PLACE A LABEL ON THE TUBE.
8. MINIMUM BOARD THICKNESS: 1.6
9. MAPS (MOLEX ADVANCED PLATING SYSTEM).

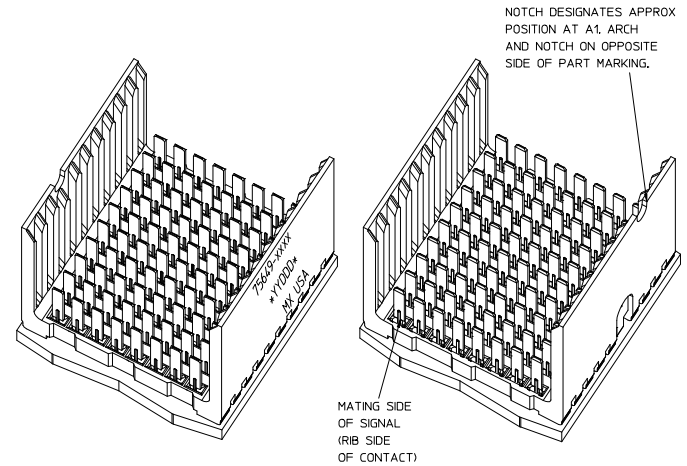
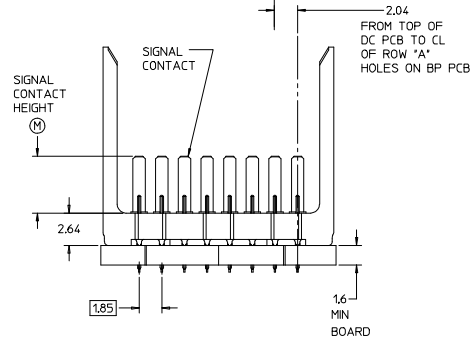
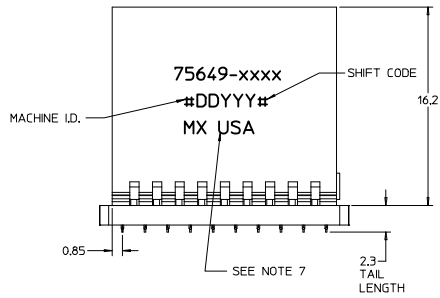
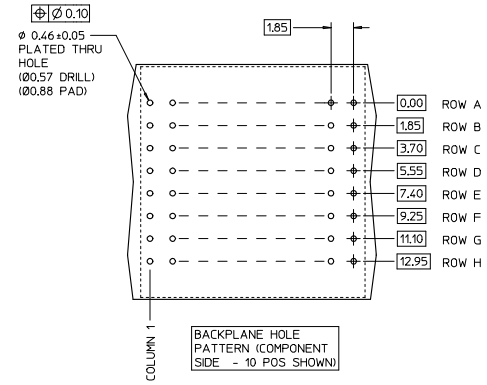
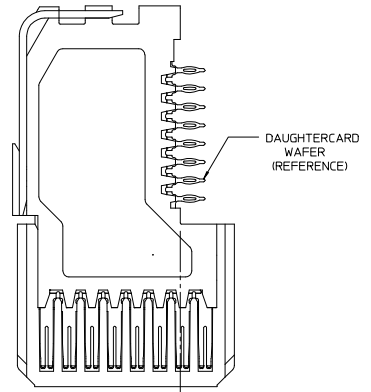
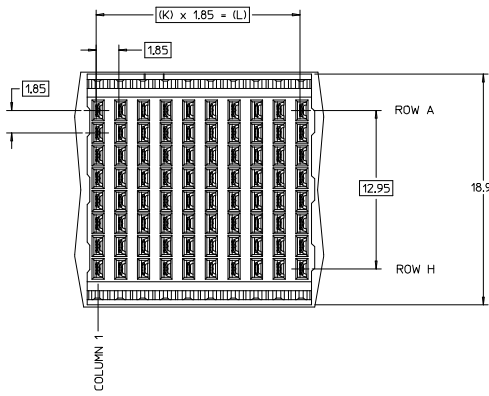
75649-\*\*x0\*  
COLUMN  
01-10  
02-25  
05- 5  
KEYING  
POSITION  
NONE = 0

PIN LENGTH DIM "M"	GOLD (Au) THICKNESS micrometers
0=3.55 mm	0.25 (MAPS)
1=4.55 mm	
2=5.55 mm	
3=3.55 mm	
4=4.55 mm	
5=5.55 mm	0.76
7=3.55 mm	
8=4.55 mm	
9=5.55 mm	1.27

PART NUMBER TABLE				
ASSY PART NO.	K	L	P	TOTAL NO. OF CONTACTS
75649-050*	4	7.40	9.10	40
75649-010*	9	16.65	18.35	80
75649-020*	24	44.40	46.10	200

LEAD-FREE PLATING

<b>REV TO LEAD-FREE</b> EC NO: UJCP-2013-1905 DRWNGS: 2012/09/05 CHKD: MOLE APPR: SMILLER 2012/09/05 2012/12/05	<b>QUALITY SYMBOLS</b> ∇=0 ∇=0 ∇=0	<b>GENERAL TOLERANCES (UNLESS SPECIFIED)</b> mm INCH		DIMENSION STYLE <b>MM ONLY</b>	SCALE <b>5:1</b>	DESIGN UNITS <b>METRIC</b>	THIRD ANGLE PROJECTION		
		4 PLACES ±--- ±--- 3 PLACES ±--- ±--- 2 PLACES ±0.25 ±--- 1 PLACE ±0.38 ±--- 0 PLACE ± ±	DRAWN BY NMARTIN DATE 2005/02/22	CHECKED BY SREED DATE 2005/02/22	APPROVED BY CBI XLER DATE 2005/02/22	<b>TITLE</b> GBX 3-PAIR L-SERIES LF OPEN END BACKPLANE SALES ASSEMBLY DRAWING			
		ANGULAR ±1/2° DRAFT WHERE APPLICABLE MUST REMAIN WITHIN DIMENSIONS		MATERIAL NO. <b>SEE CHART</b>		DOCUMENT NO. <b>SD-75649-010</b>		SHEET NO. <b>1 OF 1</b>	
		THIS DRAWING CONTAINS INFORMATION THAT IS PROPRIETARY TO MOLEX INCORPORATED AND SHOULD NOT BE USED WITHOUT WRITTEN PERMISSION							



THE PRIMARY CARTON WITH A LABEL STATING "ELV AND RoHS COMPLAINT" IS LEAD FREE. CARTONS WITHOUT THIS LABEL MAY CONTAIN LEAD.

**NOTES:**

1. MATERIAL: HOUSING - LIQUID CRYSTAL POLYMER (LCP) GLASS-FILLED. UL 94V-0. COLOR - GRAY. SIGNAL CONTACT AND GROUND BLADE - HIGH PERFORMANCE COPPER ALLOY.
2. FINISHES: SELECTIVE GOLD (Au) ON CONTACT AREA. SELECTIVE MATTE TIN (Sn) ON PCB TAILS, NICKEL (Ni) OVERALL.
3. THIS PART CONFORMS TO MOLEX PRODUCT SPECIFICATION PS-75221-999.
4. FOR MIXED CONTACT MATING LENGTHS CONSULT MOLEX FOR AVAILABILITY.
5. 10 COLUMN 3 PAIR L-SERIES SHOWN FOR ILLUSTRATION PURPOSES ONLY. FOR SPECIFIC PART NUMBER AND MATING INFORMATION PLEASE REFER TO CHART.
6. PACKAGE PER PK-70873-576.
7. EITHER MARK PART NUMBER AND DATE CODE APPROXIMATELY WHERE SHOWN OR PLACE A LABEL ON THE TUBE.
8. MINIMUM BOARD THICKNESS: 1.6
9. MAPS (MOLEX ADVANCED PLATING SYSTEM).

75649-\*\*x0\*  
COLUMN  
01-10  
02-25  
05- 5  
KEYING  
POSITION  
NONE = 0

PIN LENGTH DIM "M"	GOLD (Au) THICKNESS micrometers
0=3.55 mm	0.25 (MAPS)
1=4.55 mm	
2=5.55 mm	
3=3.55 mm	
4=4.55 mm	
5=5.55 mm	0.76
7=3.55 mm	
8=4.55 mm	
9=5.55 mm	1.27

PART NUMBER TABLE				
ASSY PART NO.	K	L	P	TOTAL NO. OF CONTACTS
75649-050*	4	7.40	9.10	40
75649-010*	9	16.65	18.35	80
75649-020*	24	44.40	46.10	200

LEAD-FREE PLATING

<b>REV TO LEAD-FREE</b> EC NO: UJCP-2013-1905 DRWNGS: 2012/09/05 CHKD: MOLEF 2012/09/05 APPR: SMILLER 2012/12/05 REV DESCRIPTION	QUALITY SYMBOLS	GENERAL TOLERANCES (UNLESS SPECIFIED)	DIMENSION STYLE <b>MM ONLY</b>	SCALE <b>5:1</b>	DESIGN UNITS <b>METRIC</b>	THIRD ANGLE PROJECTION
	▽=0	4 PLACES ±---	mm INCH	DRAWN BY NMARTIN	DATE 2005/02/22	<b>GBX 3-PAIR L-SERIES LF          OPEN END BACKPLANE          SALES ASSEMBLY DRAWING</b>  <b>molex</b> MATERIAL NO. SEE CHART DOCUMENT NO. SD-75649-010
	▽=0	3 PLACES ±---	±---	CHECKED BY SREED	DATE 2005/02/22	
	▽=0	2 PLACES ±0.25	±---	APPROVED BY	DATE	
	1 PLACE ±0.38	±---	DATE			
	0 PLACE ±	±				SHEET NO. 1 OF 1