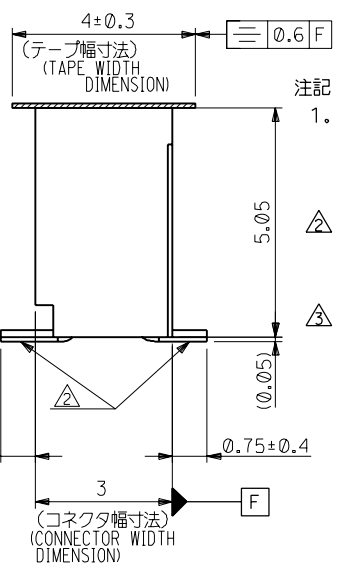
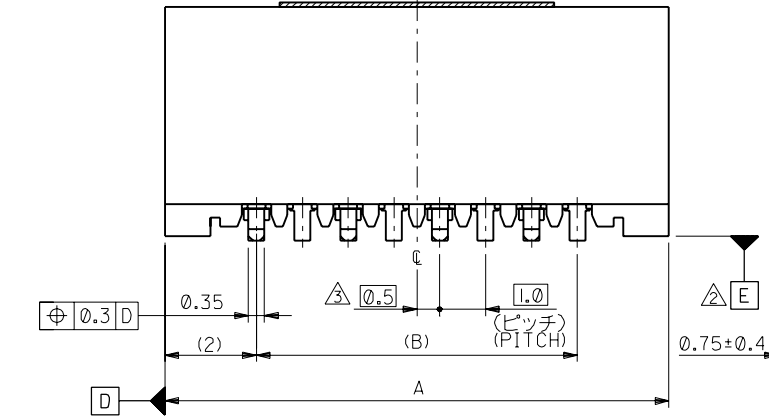
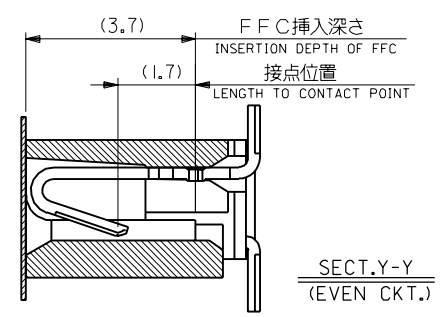
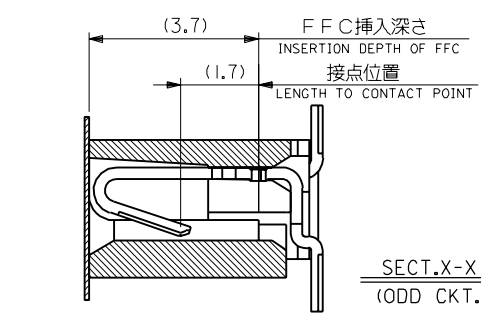
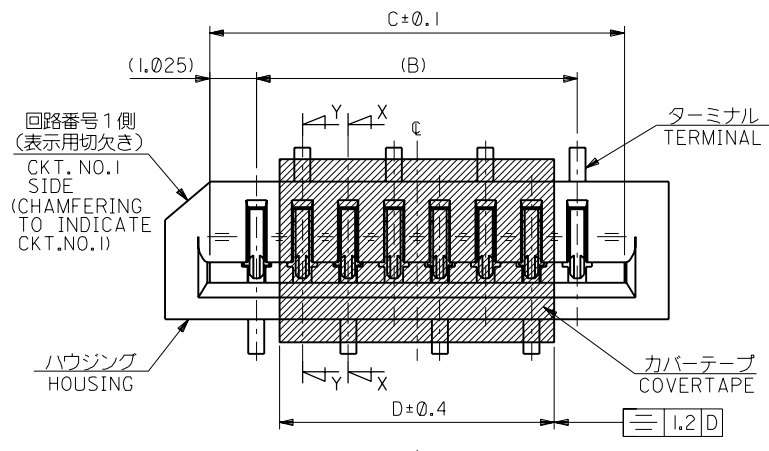


DWG. NO. SD-54481-003



注記 NOTES:

- 使用材料 MATERIAL
 - ハウジング: PPS, UL94V-0 HOUSING : PPS, UL94V-0
 - ターミナル: リン青銅 t=0.25 TERMINAL : PHOSPHOR BRONZE
 - メッキ: 銅下地半田メッキ PLATING : Sn-Pb OVER Cu
 - カバーテープ: ポリイミド (t=50μm) COVERTAPE : PI (t=50μm)
- 基準面 E からのソルダータールの半田付け面のズレ量は、上方向に0.1MAX. 下方向0.15MAX. とする。
MISALIGNMENT OF SOLDER TAIL FROM E : UPPER DIRECTION 0.1 MAX. , LOWER DIRECTION 0.15 MAX.
- 偶数極に適用。
APPLY FOR EVEN CKT.

10	30.05	28	32	54481-2920	29
	29.05	27	31	54481-2820	28
	25.05	23	27	54481-2420	24
	22.05	20	24	54481-2120	21
	21.05	19	23	54481-2020	20
	19.05	17	21	54481-1820	18
D	C	B	A	MATERIAL NO	極数 CIRCUIT

EG4NO. DRWN: CHK: APPR:	REVISED	EG3NO. JD2000-1136 DRWN: THIRAYAMA 99/04/21 CHK: MSASAO 00/04/21 APPR: HIKESUGI 00/04/21	REVISED	EG2NO. JD000068 DRWN: THIRAYAMA 99/07/19 CHK: MSASAO 99/07/19 APPR: HIKESUGI 99/07/19	REVISED	EG1NO. JD91263 DRWN: THIRAYAMA 99/03/19 CHK: MSASAO 99/03/19 APPR: HIKESUGI 99/03/19	RELEASED	EG0NO. JD090110 DRWN: THIRAYAMA 99/07/22 CHK: MSASAO 99/07/22 APPR: HIKESUGI 99/07/22
EGNO.	C	B	A	0				
WIRE RANGE 適用線径範囲								
INS. RANGE 被覆外径								

注記 1 参照
SEE NOTE 1

GENERAL TOLERANCES: (UNLESS SPECIFIED) 一般公差		SCALE	DESIGN UNITS
10 UNDER 未満	±0.2	10-1	mm □ INCH
10 OVER 以上 30 UNDER 未満	±0.25		PROJECTION
30 OVER 以上	±0.3		mm ONLY
ANGLE 角度	±3°		mm ONLY

MODEL NO. 54481-**-20 DIMENSIONS:

DRAWN BY & DATE: *Thirayama* 98/07/22
 CHECKED BY & DATE: *H. Sarao* 98/07/22
 APPROVED BY & DATE: *H. Sarao* 98/07/22

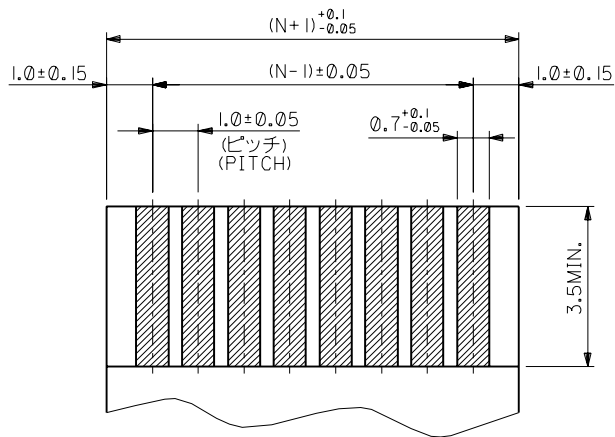
TITLE: I.0 FFC CONN. NON ZIF SMT ST. WITH COVER TAPE

MATERIAL NO. SEE CHART DRAWING NO. SD-54481-003 SHEET NO. 1 OF 2

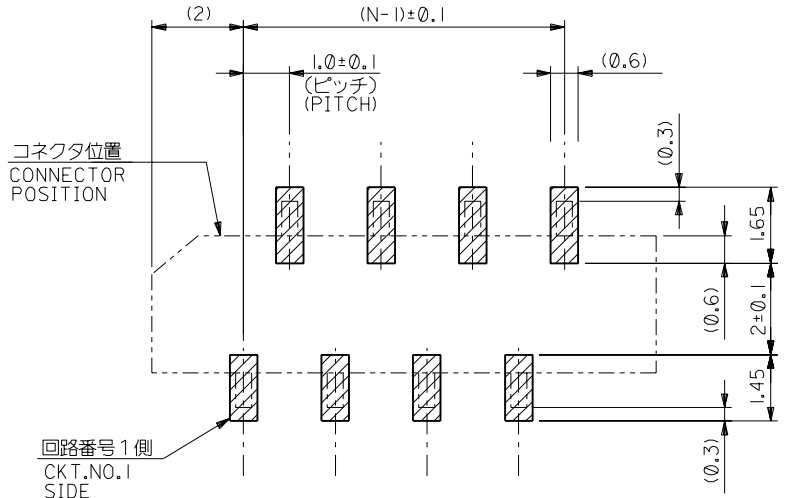
MOLEX INCORPORATED

2005 DRAWING CONTAINS INFORMATION THAT IS PROPRIETARY TO MOLEX INCORPORATED AND SHOULD NOT BE USED WITHOUT WRITTEN PERMISSION.

DO NOT SCALE DRAWING



(仕上がり厚さ0.3±0.03)
THICKNESS
適合FPC/FFC推奨寸法
APPLICABLE FPC/FFC
RECOMMENDED DIMENSION.



コネクタ位置
CONNECTOR
POSITION

回路番号1側
CKT.NO.1
SIDE

参考基板レイアウト (マウント面)
RECOMMENDED P.C.BOARD
PATTERN DIMENSION. (REF.)
(MOUNTING AREA)

DO NOT SCALE DRAWING

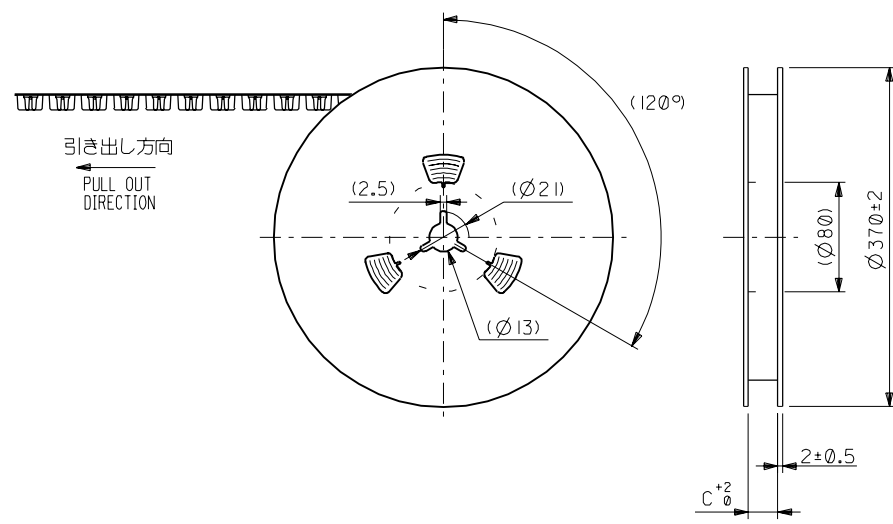
EC NO. DRWN: CHK: APPR:	EC NO. DRWN: CHK: APPR:	EC NO. DRWN: CHK: APPR:	EC NO. DRWN: CHK: APPR:	EC NO. DRWN: CHK: APPR:	EC NO. DRWN: CHK: APPR:
	C	B	A	0	

MATERIAL 材料	SHEET 1 OF 2 参照 SEE SHEET 1 OF 2
FINISH 仕上り	//
WIRE RANGE 適用電線範囲	//
INS. RANGE 被覆外径	//

GENERAL TOLERANCES: (UNLESS SPECIFIED) 一般公差	
10 UNDER 未満	+0.2
10 OVER 以上 30 UNDER 未満	+0.25
30 OVER 以上	+0.3
ANGLE 角度	+3°

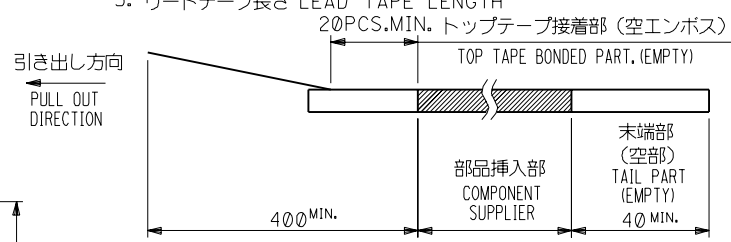
SCALE 10-1	DESIGN UNITS <input checked="" type="checkbox"/> mm <input type="checkbox"/> INCH
DRAWN BY & DATE T. Kinoshita 98/07/22	
CHECKED BY & DATE H. Saito 98/07/22	
APPROVED BY & DATE M. Kinoshita 98/07/22	
CAB FILENAME 54481003.S02	

DIMENSIONS: <input type="checkbox"/> mm <input type="checkbox"/> INCH <input checked="" type="checkbox"/> mm ONLY		SHT	REV
THIRD ANGLE PROJECTION		REVISE ON CAD ONLY	
TITLE: 1.0 FFC CONN. NON ZIF SMT ST. WITH COVER TAPE			
MATERIAL NO. SEE SHEET 1		DRAWING NO. SD-54481-003	
DRAWN BY & DATE M. Kinoshita 98/07/22		SHEET NO. 2	
APPROVED BY & DATE M. Kinoshita 98/07/22		SIZE B	
THIS DRAWING CONTAINS INFORMATION THAT IS PROPRIETARY TO MOLEX INCORPORATED AND SHOULD NOT BE USED WITHOUT WRITTEN PERMISSION.			

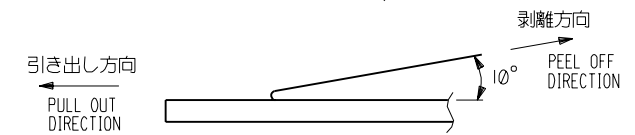


NOTES

- 製品詳細寸法については図面 SD-54481-003 を参照下さい。
RE DETAILED DIMENSION, SEE SD-54481-003
- 梱包数量：1000個/リール
NUMBER OF CONNECTORS：1000PCS/REEL
- リードテープ長さ LEAD TAPE LENGTH
20PCS.MIN. トップテープ接着部 (空エンボス)

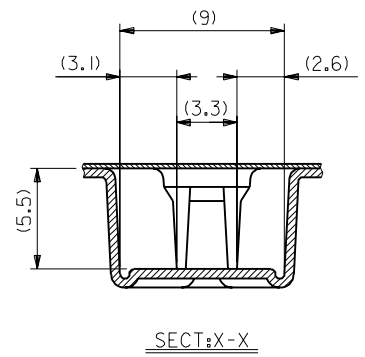
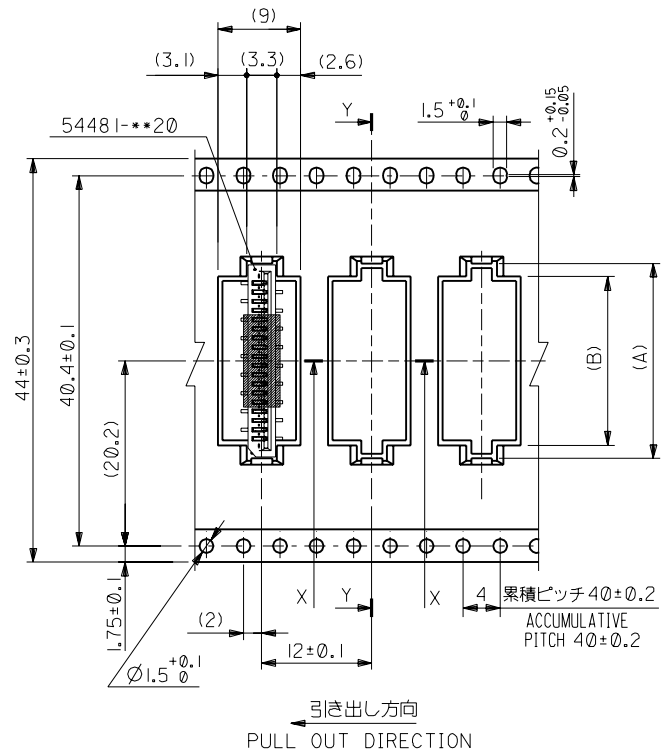
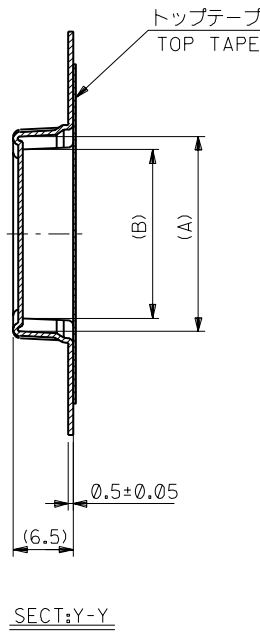


- トップテープの剥離強度：0.1N ~ 0.7N(10.2gf ~ 71.4gf)
(剥離方向は下図参照)
尚、本規格値は出荷時に適用。(但し、輸送時に剥離が発生しないこと。)
PEELING OFF FORCE OF TOP TAPE：0.1N ~ 0.7N(10.2gf ~ 71.4gf)
(PEELING DIRECTION AS SHOWN IN FOLLOWING FIG.)
THIS REQUIREMENT SHOULD BE APPLIED AT SHIPMENT.
PEEL OFF SHOULD NOT BE ALLOWED, DURING TRANSPORTATION.



- 材料 (MATERIAL)
キャリアテープ (CARRIER TAPE)：ポリプロピレン (POLYPROPYLENE)
トップテープ (TOPTAPE)：PET, PE, PEF
リール (REEL)：紙製 (CARD BOARD)

EGBNO. DRWN: CHK: APPR:	REVISED	EGB3NO. JD2000-1136 DRWN: THIRAYAMA00/04/21 CHK: MSASAO 00/04/21 APPR: HIKESUGI 00/04/21	EGB2NO. JD000068 DRWN: THIRAYAMA99/07/19 CHK: MSASAO 99/07/19 APPR: HIKESUGI 99/07/19	EGB1NO. JD91263 DRWN: THIRAYAMA99/03/19 CHK: MSASAO 99/03/19 APPR: HIKESUGI 99/03/19	EGB0NO. JD90110 DRWN: THIRAYAMA98/07/22 CHK: MSASAO 98/07/22 APPR: HIKESUGI 98/07/22	MATERIAL 材料	GENERAL TOLERANCES: (UNLESS SPECIFIED) 一般公差	SCALE —//—	DESIGN UNITS <input checked="" type="checkbox"/> mm <input type="checkbox"/> INCH	DIMENSIONS: <input type="checkbox"/> mm <input type="checkbox"/> INCH <input checked="" type="checkbox"/> mm ONLY		SHT	REV
	注記5参照 SEE NOTE 5					10 UNDER 未満	+0.2	DRAWN BY & DATE T. Kinoshita 98/07/22	TITLE: EMBOSSD TAPE PACKAGE FOR 54481-***20	REVISION ON CAD ONLY			
C	REVISED	EGB2NO. JD000068 DRWN: THIRAYAMA99/07/19 CHK: MSASAO 99/07/19 APPR: HIKESUGI 99/07/19	EGB1NO. JD91263 DRWN: THIRAYAMA99/03/19 CHK: MSASAO 99/03/19 APPR: HIKESUGI 99/03/19	EGB0NO. JD90110 DRWN: THIRAYAMA98/07/22 CHK: MSASAO 98/07/22 APPR: HIKESUGI 98/07/22	EGB0NO. JD90110 DRWN: THIRAYAMA98/07/22 CHK: MSASAO 98/07/22 APPR: HIKESUGI 98/07/22	FINISH 仕上げ	10 OVER 以上	+0.25	CHECKED BY & DATE M. Sarao 98/07/22	MATERIAL NO. DRAWING NO.		SHEET NO.	SIZE
B	REVISED					30 OVER 以上	+0.3	APPROVED BY & DATE M. Sarao 98/07/22	SEE SHEETS	SD-54481-004	1 OF 3	B	
A	RELEASED	EGB0NO. JD90110 DRWN: THIRAYAMA98/07/22 CHK: MSASAO 98/07/22 APPR: HIKESUGI 98/07/22	EGB0NO. JD90110 DRWN: THIRAYAMA98/07/22 CHK: MSASAO 98/07/22 APPR: HIKESUGI 98/07/22	EGB0NO. JD90110 DRWN: THIRAYAMA98/07/22 CHK: MSASAO 98/07/22 APPR: HIKESUGI 98/07/22	EGB0NO. JD90110 DRWN: THIRAYAMA98/07/22 CHK: MSASAO 98/07/22 APPR: HIKESUGI 98/07/22	WIRE RANGE 適用範囲線形	ANGLE 角度	+3°	CAB FILENAME 54481004.S01	DRAWING NO. SD-54481-004		SHEET NO. 1 OF 3	SIZE B
0	RELEASED					INS. RANGE 被覆外径		THIS DRAWING CONTAINS INFORMATION THAT IS PROPRIETARY TO MOLEX INCORPORATED AND SHOULD NOT BE USED WITHOUT WRITTEN PERMISSION.		EN-02J(097) MXJ-54			



44mm幅キャリアテープ
44mm WIDTH CARRIER TAPE

44	44.4	28.4	31.3	54481-2891	28
		24.4	27.3	54481-2491	24
		21.4	24.3	54481-2191	21
		20.4	23.3	54481-2091	20
		18.4	21.3	54481-1891	18
キャリアテープ幅 CARRIER TAPE WIDTH	C	(B)	(A)	MATERIAL NO.	極致 CKT.
MODEL NO.	54481-**-91		DIMENSIONS:		SHT
					REV

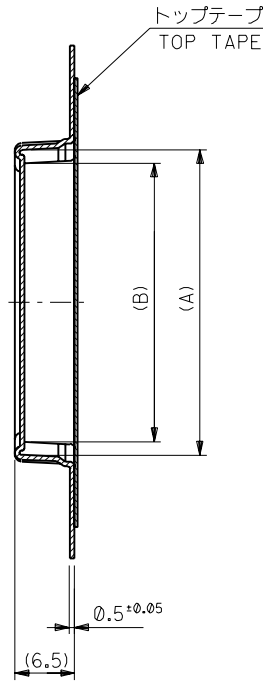
E04NO. DRWN: CHK: APPR:	E03NO. DRWN: CHK: APPR:	E02NO. DRWN: CHK: APPR:	E01NO. DRWN: CHK: APPR:	E00NO. DRWN: CHK: APPR:	REV	DESCRIPTION	MATERIAL	GENERAL TOLERANCES:	SCALE	DESIGN UNITS	TITLE:	
						SHEET 1 OF 3 参照 SEE SHEET 1 OF 3	材料 SHEET 1 OF 3 参照 SEE SHEET 1 OF 3	(UNLESS SPECIFIED) 一般公差	1/1	mm <input checked="" type="checkbox"/> INCH <input type="checkbox"/>		EMBOSSD TAPE PACKAGE FOR 54481-**-20
						FINISH 仕上り	FINISH	10 UNDER 未満	±0.2	DRAWN BY & DATE T. Kinugasa 98/07/22		
						30 OVER 以上	±0.25	CHECKED BY & DATE H. Saruo 98/07/22				
						30 OVER 以上	±0.3	APPROVED BY & DATE H. Saruo 98/07/22				
						WIRE RANGE 適用線径範囲		ANGLE 角度	3*			
						INS. RANGE 被覆外径						

DRAWN BY & DATE T. Kinugasa 98/07/22		TITLE: EMBOSSD TAPE PACKAGE FOR 54481-**-20	
CHECKED BY & DATE H. Saruo 98/07/22		APPROVED BY & DATE H. Saruo 98/07/22	
MATERIAL NO. 54481004.S02		DRAWING NO. SD-54481-004	
SHEET NO. 2		SIZE B	

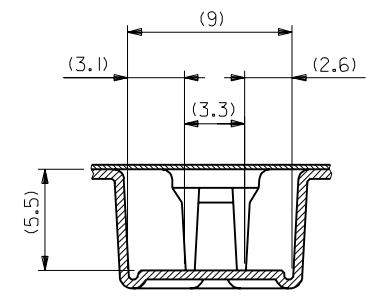
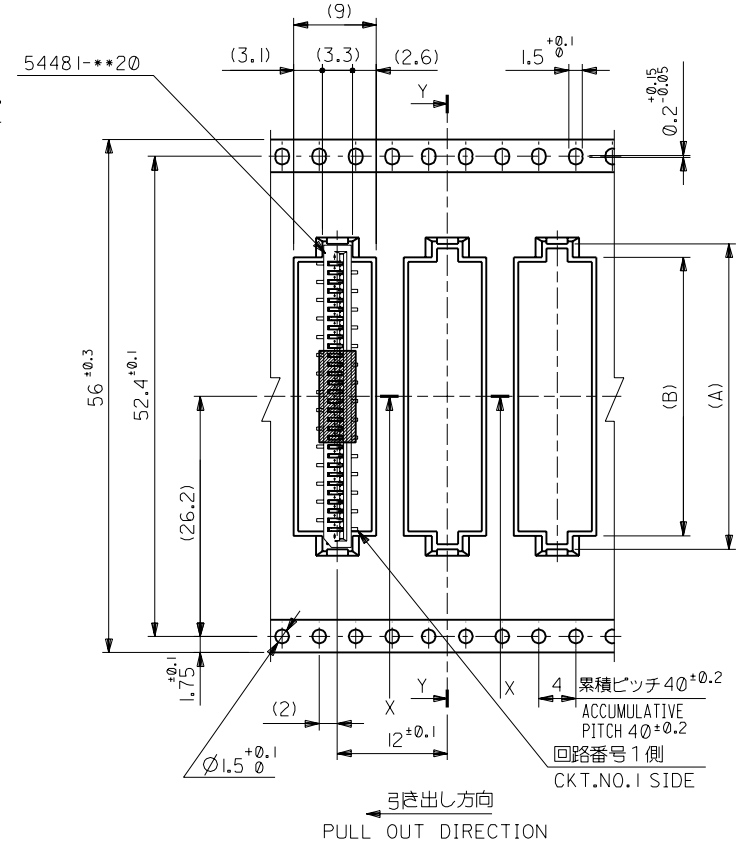
DO NOT SCALE DRAWING

DO NOT SCALE DRAWING

DWG. NO. SD-54481-004



SECT:Y-Y



SECT:X-X
(SCALE:4-1)

56mm幅キャリアテープ
56mm WIDTH CARRIER TAPE

56	56.4	29.4	32.3	54481-2991	29
キャリアテープ幅 CARRIER TAPE WIDTH			(B)	(A)	極致 CKT.
MODEL NO.		54481-**-91	DIMENSIONS:		SHT
			mm INCH mm INCH mm ONLY		REVISE ON CAD ONLY

EG4NO. DRWN: CHK: APPR:	EG3NO. DRWN: CHK: APPR:	EG2NO. DRWN: CHK: APPR:	EG1NO. DRWN: CHK: APPR:	EG0NO. DRWN: CHK: APPR:	REV
	C	B	A	0	

MATERIAL 材料	SHEET 1 OF 3 参照 SEE SHEET 1 OF 3
FINISH 仕上げ	//
WIRE RANGE 適用線幅範囲	//
INS. RANGE 被覆外径	//

GENERAL TOLERANCES: (UNLESS SPECIFIED) 一般公差	SCALE	DESIGN UNITS
10 UNDER 未満	1:1	mm INCH
10 OVER 以上		
30 OVER 以上		
ANGLE 角度		

DRAWN BY & DATE <i>T. Kinuyama</i> 98/07/22	TITLE: EMBOSSD TAPE PACKAGE FOR 54481-**-20
CHECKED BY & DATE <i>H. Sasaki</i> 98/07/22	
APPROVED BY & DATE <i>H. Kinuyama</i> 98/07/22	MATERIAL NO. DRAWING NO. SHEET NO.
CAD FILENAME 54481004.S03	

MOLEX INCORPORATED		
MATERIAL NO. SEE CHART	DRAWING NO. SD-54481-004	SHEET NO. 3
THIS DRAWING CONTAINS INFORMATION THAT IS PROPRIETARY TO MOLEX INCORPORATED AND SHOULD NOT BE USED WITHOUT WRITTEN PERMISSION.		SIZE B