

REVISIONS				
EC NO	DATE	REV	DESCRIPTION	CHANGER
	2016.12.07	A	INITIAL RELEASE.	DICK

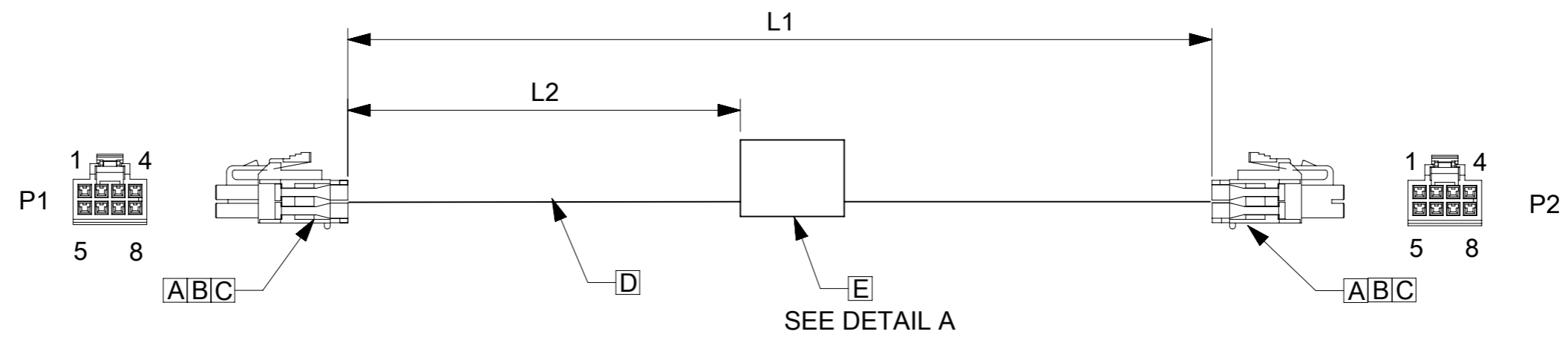
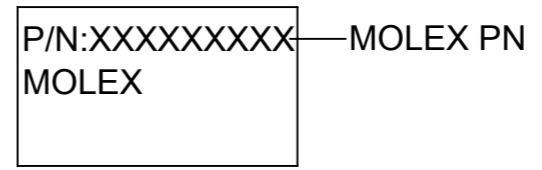


TABLE			
PART NUMBER	L1	L2	TITLE
451300801	150±10	69REF	Nano-Fit 8 Circuit 150MM
451300803	300±10	144REF	Nano-Fit 8 Circuit 300MM
451300810	1000±15	494REF	Nano-Fit 8 Circuit 1M



DETAIL A

NOTES

1. THIS PRODUCT MUST MEET 2011/65/EU ROHS COMPLIANCE.  
此产品需符合 2011/65/EU ROHS环保要求.
2. ELECTRICAL PERFORMANCE REFER TO ES-000.  
电气特性参考ES-000.
3. LABEL TEXT MUST BE 2mm MAX. IN HEIGHT WITH ARIAL FONT.  
标签字高最大2mm,字体ARIAL.

WIRING CHART		
P1	P2	COLOR
1	4	BLACK
2	3	BLACK
3	2	BLACK
4	1	BLACK
5	8	BLACK
6	7	BLACK
7	6	BLACK
8	5	BLACK

ITEM	DESCRIPTION	L(MM)	Q'TY
E	Blank label 12.7x35.5mm (WHT:12.7mm) HF		1
D	20AWG;PLATED;PVC;BK;OD=1.46MM;UL1061	A/R	
C	NANOFIT TPA V0 NAT 4 CKT		4
B	NANOFIT CRIMP TERM 2022, Gold Plating		16
A	NANOFIT RCPT HSG DLR 8CKT TPA BLK		2

<b>QUALITY SYMBOLS</b> 	THIS DRAWING CONTAINS INFORMATION THAT IS PROPRIETARY TO MOLEX ELECTRONIC TECHNOLOGIES, LLC AND SHOULD NOT BE USED WITHOUT WRITTEN PERMISSION										
	EC NO: 111343 DRWN: WLXIE CHK'D: DHUANG16 APPR: YXZOU		2016/12/06 2016/12/09 2016/12/11					<b>GENERAL TOLERANCES (UNLESS SPECIFIED)</b> ANGULAR TOL ± ° 4 PLACES ± 3 PLACES ± 2 PLACES ± 1 PLACE ± 0 PLACES ±		DIMENSION UNITS: <b>MM</b> SCALE: <b>NTS</b> DRWN BY: <b>WLXIE</b> DATE: <b>2016/11/16</b> CHK'D BY: <b>DHUANG16</b> DATE: <b>2016/12/05</b> APPR BY: DATE:	
	DRAFT WHERE APPLICABLE MUST REMAIN WITHIN DIMENSIONS		DRAWING SIZE: <b>A3</b> THIRD ANGLE PROJECTION:		DOCUMENT NUMBER: 2012341660 DOC TYPE: PSD DOC PART: 000 SHEET NUMBER: 1 OF 1						
	RELEASE STATUS: P1 RELEASE DATE: 12.12.2016 03:03:04										