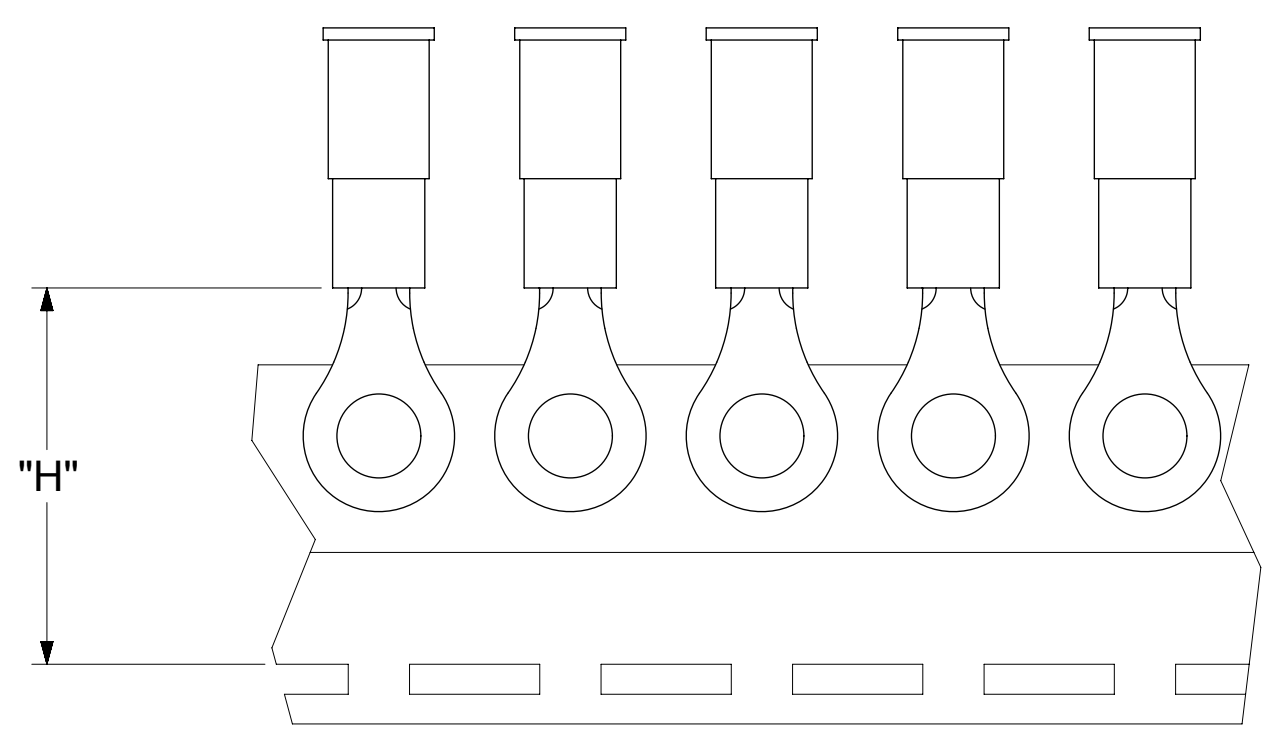
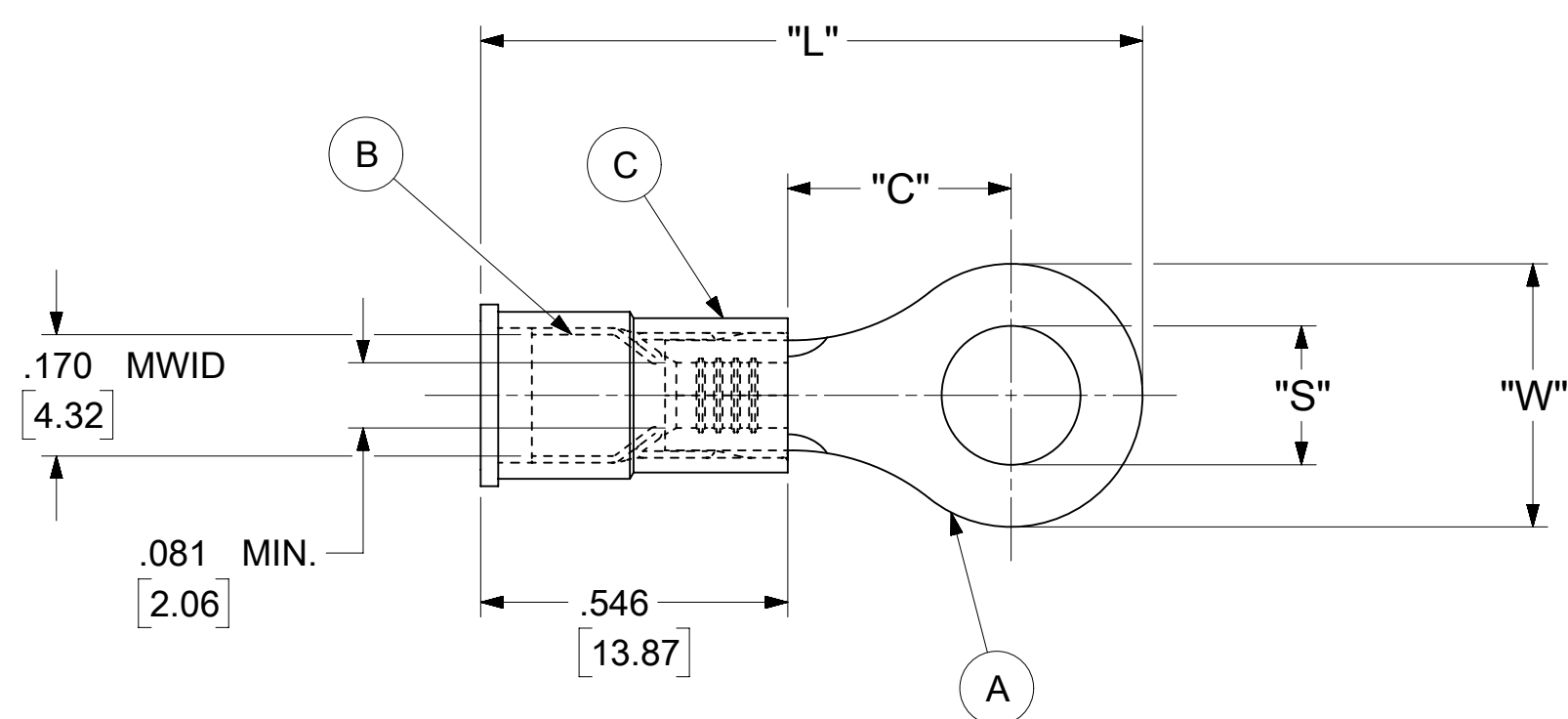


| LOOSE PIECE | | TAPE MOUNTED | | SPECIFICATIONS | | | | | | |
|-----------------|--------------------|-----------------|--------------------|----------------|---------------------|---------------------|--------------|---------------|--------------|----------------------------------|
| MATERIAL NUMBER | ENGINEERING NUMBER | MATERIAL NUMBER | ENGINEERING NUMBER | STUD SIZE | "S" ±.005 [0.13] | "W" ±.010 [0.25] | "C" MIN. | "L" MAX. | "H" | STOCK ±.001 [0.025] THICKNESS |
| 190570046 | B-518-38 | --- | --- | 38 | .390 [9.91] | .534 [13.56] | .554 [14.07] | 1.407 [35.74] | --- | .031 [0.79] |
| 190570048 | B-518-56 | --- | --- | 56 | .328 [8.33] | | | | | |
| 190570052 | B-523-04 | --- | --- | 4 | .119 [3.02] | .250 [6.35] | .209 [5.31] | .931 [23.65] | .980 [24.89] | .031 [0.79] |
| 190570054 | B-523-06 | 190570055 | B-523-06T | 6 | .146 [3.71] | | | | | |
| 190570056 | B-523-08 | 190570057 | B-523-08T | 8 | .173 [4.39] | | | | | |
| 190570060 | B-525-14 | --- | --- | 14 | .265 [6.73] | .467 [11.86] | .388 [9.86] | 1.208 [30.68] | --- | .031 [0.79] |
| 190570062 | B-525-56 | --- | --- | 56 | .328 [8.33] | | | | | |
| 190570086 | B-537-04 | --- | --- | 4 | .119 [3.02] | .312 [7.92] | .285 [7.24] | 1.022 [25.96] | --- | .031 [0.79] |
| 190570088 | B-537-06 | --- | --- | 6 | .146 [3.71] | | | | | |
| 190570090 | B-537-08 | --- | --- | 8 | .173 [4.39] | | | | | |
| 190570093 | B-537-10 | --- | --- | 10 | .198 [5.03] | | | | | |
| 190570100 | B-539-08 | --- | --- | 8 | .173 [4.39] | .342 [8.69] | .310 [7.87] | 1.067 [27.10] | --- | .031 [0.79] |
| 190570102 | B-539-10 | --- | --- | 10 | .198 [5.03] | | | | | |



PARTS ON TAPE

- NOTES:
- MATERIAL:
 - (A). RING TONGUE TERMINAL: COPPER
PLATING: ELECTRO-TIN (.0003 MIN.)
 - (B). TIN-PLATED BRASS FUNNEL FERRULE
 - (C). INSULATION: NYLON (BLUE)
 - MWID: MAXIMUM WIRE INSULATION DIAMETER
 - WIRE SIZE: 16 -14 AWG
1.0 -2.5 MM²
 - ALL DIMENSIONS IN INCHES/[MM].
 - PARTS ARE ROHS COMPLIANT.
 - DIMS. SHOWN ARE FOR REFERENCE ONLY.

| | | | | | | | | | | |
|---|--|-----------------|------------------------|------------|----------|--|--------|----------------|----------|--------------|
| THIS DRAWING CONTAINS INFORMATION THAT IS PROPRIETARY TO MOLEX ELECTRONIC TECHNOLOGIES, LLC AND SHOULD NOT BE USED WITHOUT WRITTEN PERMISSION | | | | | | | | | | |
| SYMBOLS | | DIMENSION UNITS | | SCALE | | CURRENT REV DESC: MIGRATION TO ECTR/NX | | | | |
| ∇ = 0 | INCH/MM | NTS | | | | | | | | |
| ∇ = 0 | GENERAL TOLERANCES (UNLESS SPECIFIED) | | | | | | | | | |
| ∇ = 0 | | MM | INCH | | | | | | | |
| S = 0 | 4 PLACES | ± | --- | ± | --- | EC NO: 620952 | | | | |
| ∇ = 0 | 3 PLACES | ± | --- | ± | .005 | DRWN: ABENJAMINLW 2019/06/14 | | | | |
| ∇ = 0 | 2 PLACES | ± | 0.13 | ± | .01 | CHK'D: GROJAS01 2019/07/19 | | | | |
| ∇ = 0 | 1 PLACE | ± | 0.25 | ± | --- | APPR: JMACNEIL 2019/08/05 | | | | |
| ∇ = 0 | 0 PLACES | ± | --- | ± | --- | INITIAL REVISION: | | | | |
| ∇ = 0 | ANGULAR TOL | ± | 0.5 ° | | | DRWN: KO 1984/11/12 | | | | |
| ∇ = 0 | DRAFT WHERE APPLICABLE MUST REMAIN WITHIN DIMENSIONS | | THIRD ANGLE PROJECTION | | DRAWING | | SERIES | | | |
| ∇ = 0 | | | | | C-SIZE | | 19057 | | | |
| DOCUMENT STATUS | | P1 | RELEASE DATE | 2019/08/05 | 20:29:45 | DOCUMENT NUMBER | | DOC TYPE | DOC PART | REVISION |
| | | | | | | 190570042 | | PSD | 000 | A |
| | | | | | | MATERIAL NUMBER | | CUSTOMER | | SHEET NUMBER |
| | | | | | | SEE TABLE | | GENERAL MARKET | | 1 OF 1 |

NOTES:

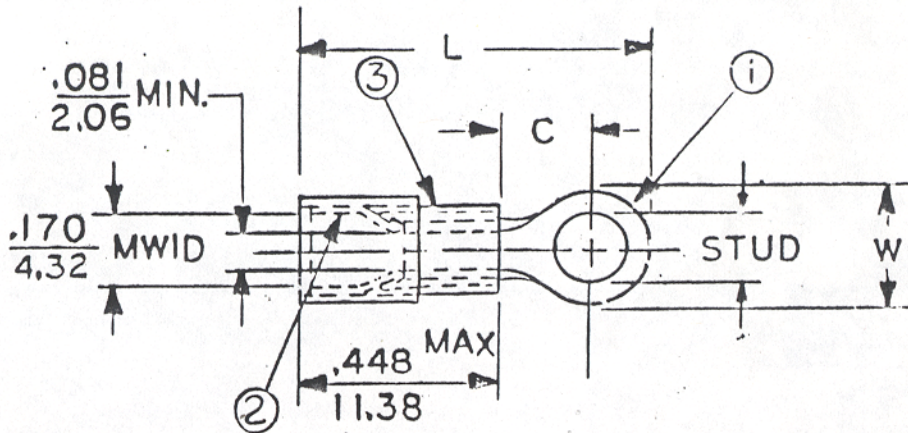
- ① MAT'L: COPPER (STOCK TKN. $\frac{.031}{.79}$) $\pm .001$
- PLATING: ELECTRO TIN (.0003 MIN)
- ② TIN-PLATED BRASS FUNNEL FERRULE
- ③ NYLON INSULATION (COLOR CODED BLUE)

FILE NO. B-CD-501-01

STUD SIZES: ($\pm .005$)

- 02 = .094
- 04 = .119
- 06 = .146
- 08 = .173
- 10 = .198
- 14 = .265
- 56 = .328
- 38 = .390

"UL" LISTING # E32244
 "CSA" LISTING # 18689



WIRE SIZE: 16-14 AWG
 1.0-2.5 MM²

ALL DIMENSIONS = $\frac{\text{INCHES}}{\text{MM}}$ (MWID) = DENOTES MAXIMUM WIRE INSULATION DIAMETER

| PART NUMBER | "W" $\pm .010$ | "C" MIN. | "L" MAX. | | | | AVAILABLE STUD SIZES |
|-------------|---------------------|---------------------|----------------------|--|--|--|----------------------|
| B-523- | $\frac{.250}{6.35}$ | $\frac{.209}{5.31}$ | $\frac{.833}{21.16}$ | | | | 04, 06, 08 |

| | | | | | | | | |
|---|-------|-------|-----------|---------------------|----------|--|-------------------|--------------|
| DIMENSIONAL TOLERANCES UNLESS OTHERWISE SPECIFIED | | | REFERENCE | SCALE: NTS | DATE | TITLE: RING TONGUE TERMINAL AVIKRIMP 500-SERIES | | |
| FRAC. | DEC. | ANG. | | DRWN. BY: <i>fo</i> | 11-12-84 | | | |
| \pm | \pm | \pm | | CHKD. BY: <i>62</i> | 11-30-84 | | | |
| | | | | APPRD. BY: | | | | |
| | | | | | | | DWG. NO. A | CUSTOMER DWG |