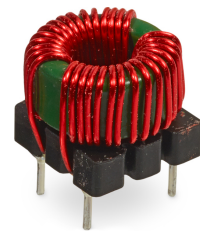
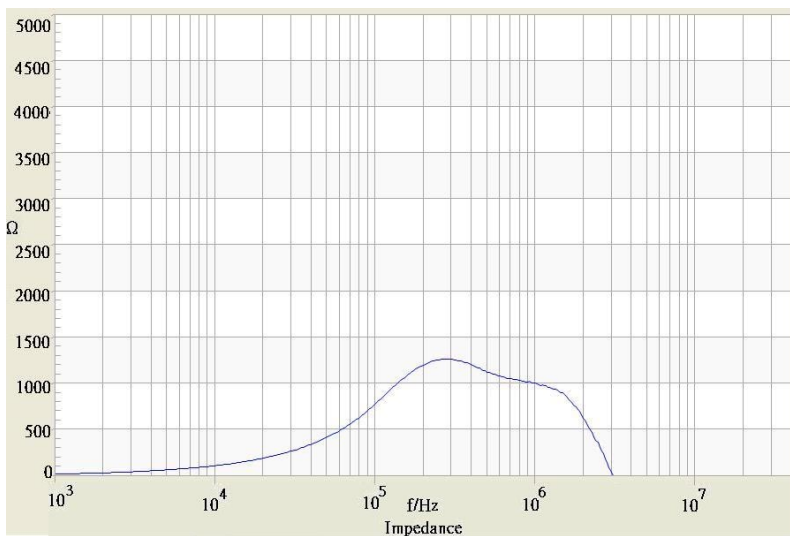


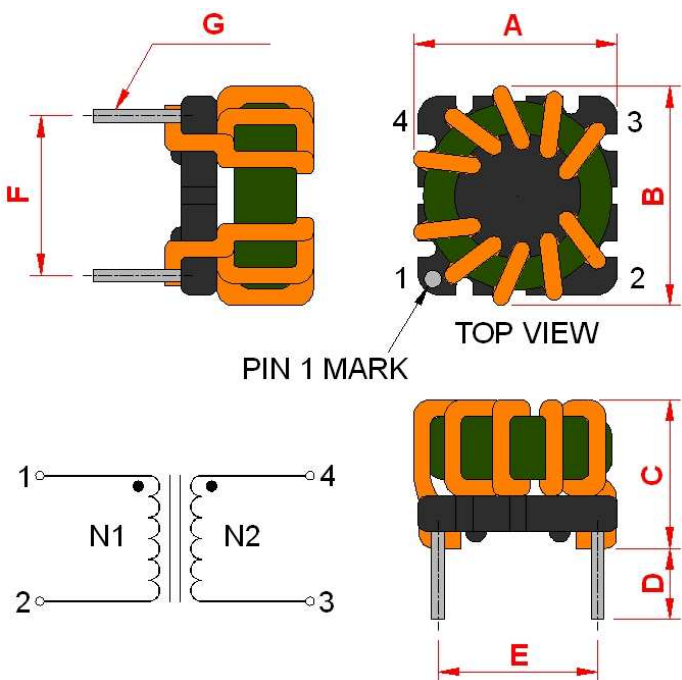
Order Code	TCK-064
Inductance (each winding)	1186 μ H \pm 35% (at 100 kHz / 100 mV)
Impedance (DCR)	24 m Ω max.
Rated Current	5.8 A max.
Rated Voltage	500 VDC max. (between windings)
Operating Temperature	-40°C to +105°C



Impedance Curve



Outline Dimensions



Dimensions [mm]	
A	16.0 max.
B	16.0 max.
C	15 max.
D	4.0 \pm 0.3
E	10.0 \pm 0.3
F	7.4 \pm 0.3
G	\varnothing 0.8

