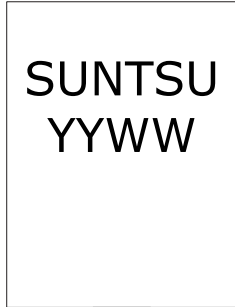
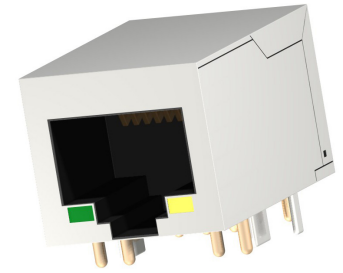
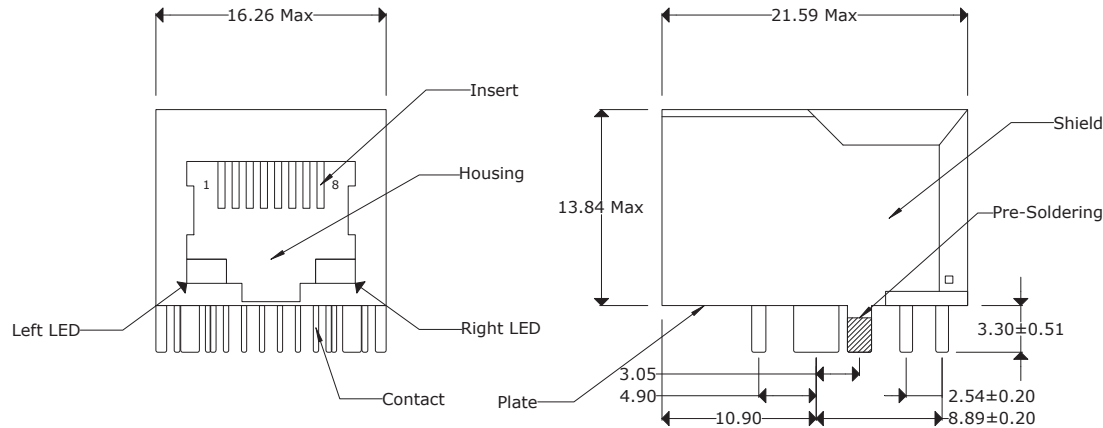


SCNRJ - 8 8 GG M S N GY - 07 314 SO RTH

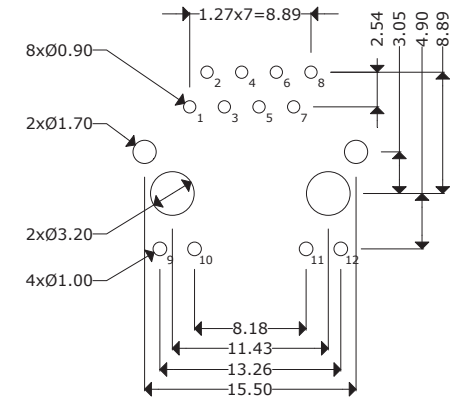
SUNTSU **RJ45** **CONTACTS 8:8** **MAGNETIC M: With** **EMI Finger N: None** **OPERATING TEMP 07: 0~70°C** **CONTACT TERMINATION SO: SOLDER**
CONNECTOR **POSITIONS 8:8** **CONTACT PLATING GG: 6u" Gold Plating** **SHIELD S: With** **LED COLOR GY: Left - Green Right - Yellow** **HEIGHT 314: 13.84mm** **MOUNTING STYLE RTH: Right Angle Through Hole**



YY:Year - WW:Week



PC Board Layout

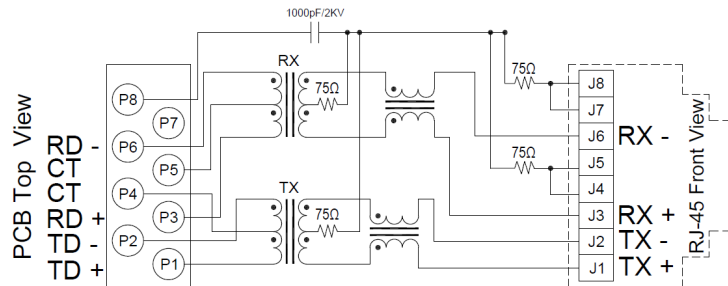


Electrical Parameters

Turn Ratio(±5%): 1CT:1CT
 Inductance(100KHz/0.1V@8mA): 350uH MIN
 Insertion Loss(dB MAX): -1.0dB(0.3-100MHz)
 Return Loss(dB MIN): -18dB(1-30MHz), -16dB(40MHz), -12dB(50MHz), -10dB(60-80MHz)
 Cross Talk(dB MIN): -40dB(30MHz), -35dB(60MHz), -30dB(100MHz)
 CMR(dB MIN): -30dB(30MHz), -20dB(60MHz), -20dB(100MHz)
 HI-POT(Pri to Sec): 1500Vrms/0.5mA/2sec

Materials

Housing: Nylon 66 UL94V-0 Standard color Black
 Insert: Phos-Bronze C5210 EH---0.35 Thickness
 Insert: PBT GF UL94V-0
 Insert Plating: (1) Nickel (2) 100% Sn (3) Gold (6u")
 Plate: PBT GF UL 94V-0
 Contact Pin: Phos-Bronze C5191---0.35 Thickness
 Contact Plating: (1) Nickel (2) 100% Sn
 Shielding: Brass C2680 Plating Nickel



Remarks:
 Operating Life: 750 Cycles MIN.

| Standard LED | Wavelength | Forward*V(MAX) | TYP |
|--------------|------------|----------------|------|
| Green | 565nm | 2.5V | 2.2V |
| Yellow | 585nm | 2.5V | 2.1V |

With a forward current of 20mA



10/100 BASE-T SINGLE PORT RJ45 JACK MAGNETICS

Document History

| Edits Made | Date | Edited By | Approved By |
|-----------------|------------|------------|-------------|
| Initial Release | 10/06/2021 | B. Gibbons | KH Mun |
| | | | |
| | | | |
| | | | |

| Part No. | Drawn |
|----------------------------|--|
| SCNRJ-88GGMSNGY-07314SORTH | B. Gibbons 10/06/2021 |
| Scale | Tolerance |
| Unit | Unless otherwise specified, all tolerances are ±0.25 Pages |
| | |

mm