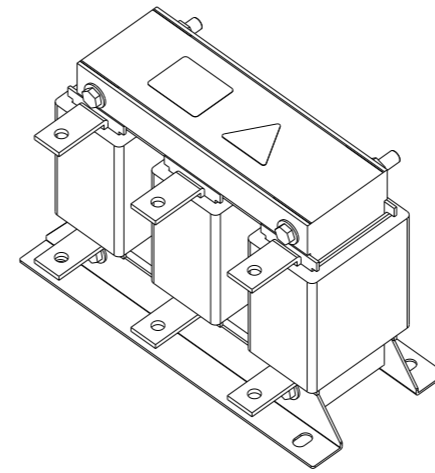
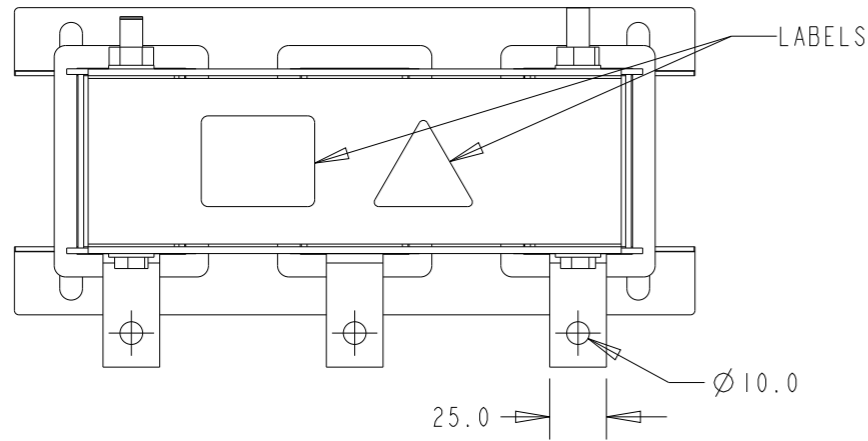


P	LTR	DESCRIPTION	DATE	DWN	APVD
	A	RELEASED FOR PRODUCTION	10FEB2023	DM	CB
	AI	ADDING PRODUCT DATA	07MAR2023	DM	CB

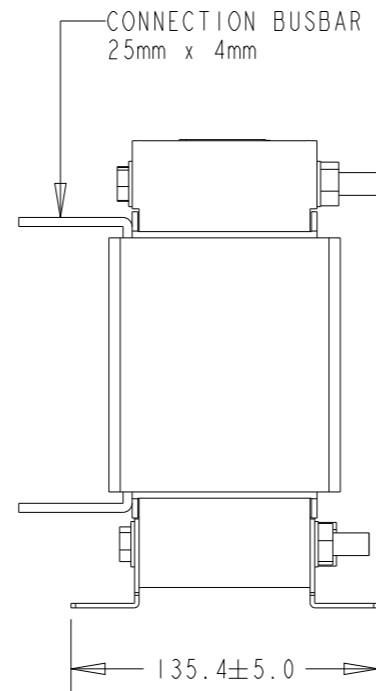
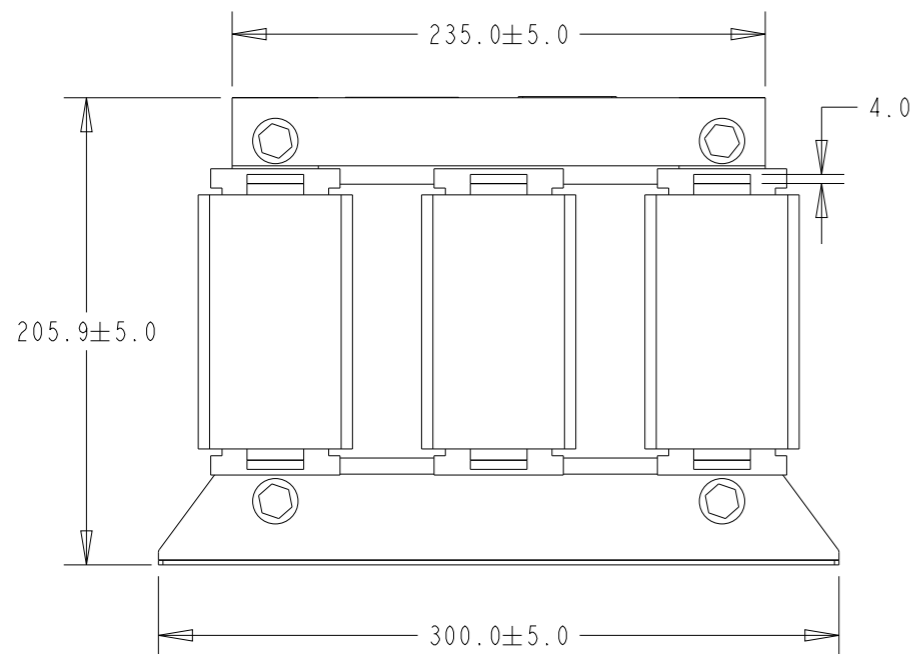
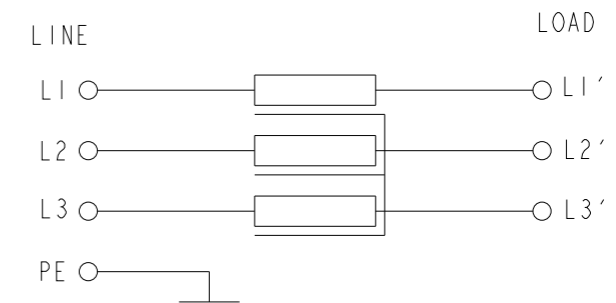


NOMINAL OPERATING VOLTAGE (VAC)	3x 380 to 480
RATED OPERATING VOLTAGE (VAC)	3x 340 to 530
FREQUENCY (Hz)	50 / 60
RATED CURRENT (AMPS)	130.00
OP. TEMP. RANGE @ RATED CURRENT	-45°C to +45°C
RATED POWER @ 400VAC (kW)	81.06
RATED POWER @ 400VAC (HP)	108.66
IMPEDANCE @ 400VAC (%)	4
INDUCTANCE, NOMINAL (mH)	0.230
POWER OVERLOAD, 1 MINUTE EVERY HOUR	1.6
VOLTAGE WITHSTAND 1 MINUTE (kVAC)	2
POLLUTION DEGREE	PD2
COOLING	NATURAL
PROTECTION CLASS	IP00
INSULATION CLASS	N
STORAGE TEMPERATURE RANGE (°C)	-45°C to +100°C
CLIMATIC CATEGORY	45/100/21
DESIGN CORRESPONDING TO	EN61558-2-20, EN60076-6, UL61800-5-1

SAFETY ORGANIZATIONS

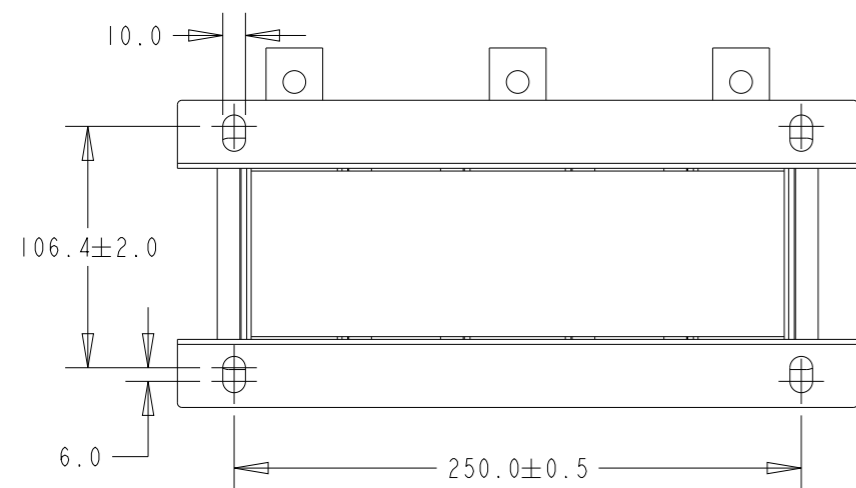
UL RECOGNIZED AS PER UL 508 HARDWARE CERTIFICATION

TYPICAL CIRCUIT DIAGRAM



DE-RATING FORMULAE FOR OPERATION ABOVE 45°C AMBIENT CONDITIONS:

$$I = I_n \sqrt{\frac{100 - T_{a\ new}}{100 - 45}}$$



RoHS COMPLIANT

THIS DRAWING IS A CONTROLLED DOCUMENT.		DWN	C. BOLLE	07OCT2022		TE Connectivity		
DIMENSIONS: mm		CHK	C. BOLLE	07OCT2022		NAME RPQ-3-130 THREE LINE REACTOR	SIZE	A3
TOLERANCES UNLESS OTHERWISE SPECIFIED:		APVD	L. RAJ	07OCT2022			CAGE CODE	00779
0 PLC ±- 1 PLC ±0.1 2 PLC ±0.01 3 PLC ±0.001 4 PLC ±0.0001 ANGLES ±-		PRODUCT SPEC	-	DRAWING NO		C-3-2432409-8		
MATERIAL		APPLICATION SPEC	-	WEIGHT	-	RESTRICTED TO	-	
FINISH		CUSTOMER DRAWING	-	SCALE	1:4	SHEET	1 OF 1	
						REV	AI	