

**NO:** PX-059      **PRODUCT:** E2E-X□(M)Y□-53(US) Proximity Sensors  
**DATE:** April 2014      **TYPE:** Discontinuation Notice

## E2E-X□(M)Y□-53 (US) Series Proximity Sensors to be Discontinued March 2015; Replace with E2E-X□(M)Y□-US

**Effective date:** March 31, 2015

**Reason for change:** The older “-53” series is built on a production that is being phased out.

**Cautions on Applying the Replacement:**

- Replacement models do not have load short circuit protection.
- A strain relief is built into the cable connection at the base of the sensor body.
- Threading on replacement models is formed using the accurate “fraise” milling method.



### Affected Parts

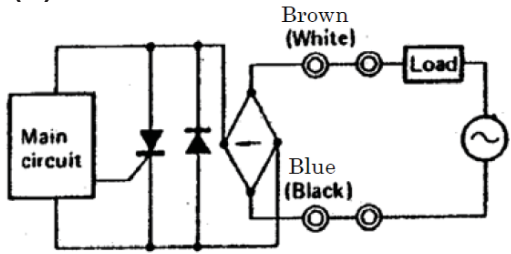
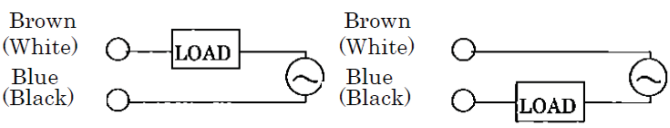
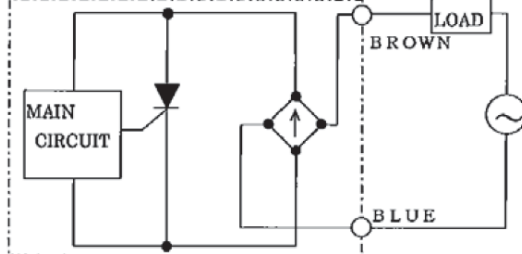
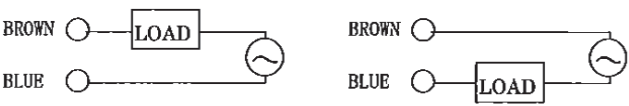
Product discontinuation	Recommended replacement
E2E-X5Y1-53 2M	E2E-X5Y1-US 2M
E2E-X5Y1-53 5M	E2E-X5Y1-US 5M
E2E-X5Y1-53-US 2M	E2E-X5Y1-US 2M
E2E-X5Y1-53-US 5M	E2E-X5Y1-US 5M
E2E-X5Y2-53 2M	E2E-X5Y2-US 2M
E2E-X5Y2-53 5M	E2E-X5Y2-US 5M
E2E-X5Y2-53-US 2M	E2E-X5Y2-US 2M
E2E-X5Y2-53-US 5M	E2E-X5Y2-US 5M
E2E-X10MY1-53 2M	E2E-X10MY1-US 2M
E2E-X10MY1-53 5M	E2E-X10MY1-US 5M
E2E-X10MY1-53-US 2M	E2E-X10MY1-US 2M
E2E-X10MY2-53 2M	E2E-X10MY2-US 2M
E2E-X10MY2-53 5M	E2E-X10MY2-US 5M
E2E-X10MY2-53-US 2M	E2E-X10MY2-US 2M
E2E-X10MY2-53-US 5M	E2E-X10MY2-US 5M
E2E-X10Y1-53 2M	E2E-X10Y1-US 2M
E2E-X10Y1-53 5M	E2E-X10Y1-US 5M
E2E-X10Y1-53-US 2M	E2E-X10Y1-US 2M
E2E-X10Y1-53-US 5M	E2E-X10Y1-US 5M
E2E-X10Y2-53 2M	E2E-X10Y2-US 2M
E2E-X10Y2-53 5M	E2E-X10Y2-US 5M
E2E-X10Y2-53-US 2M	E2E-X10Y2-US 2M
E2E-X10Y2-53-US 5M	E2E-X10Y2-US 5M
E2E-X18MY1-53 2M	E2E-X18MY1-US 2M
E2E-X18MY1-53 5M	E2E-X18MY1-US 5M
E2E-X18MY1-53-US 2M	E2E-X18MY1-US 2M
E2E-X18MY1-53-US 5M	E2E-X18MY1-US 5M
E2E-X18MY2-53 2M	E2E-X18MY2-US 2M
E2E-X18MY2-53 5M	E2E-X18MY2-US 5M
E2E-X18MY2-53-US 2M	E2E-X18MY2-US 2M
E2E-X18MY2-53-US 5M	E2E-X18MY2-US 5M

# Detail of Differences

## Body Color

Product discontinuation	Recommended replacement
<b>E2E-X□(M)Y□-53 series</b> <b>E2E-X□(M)Y□-53(US) series</b> Color: Silver Materials Case: Brass, Nickel plated Sensing face: ABS resin Cord: Polyvinyl chloride insulation round cord outline diameter	<b>E2E-X□(M)Y□-US series</b> Color: Silver Materials Case: Brass, Nickel plated Sensing face: PBT resin Cord: Polyvinyl chloride insulation round cord outline diameter

## Wiring Diagrams

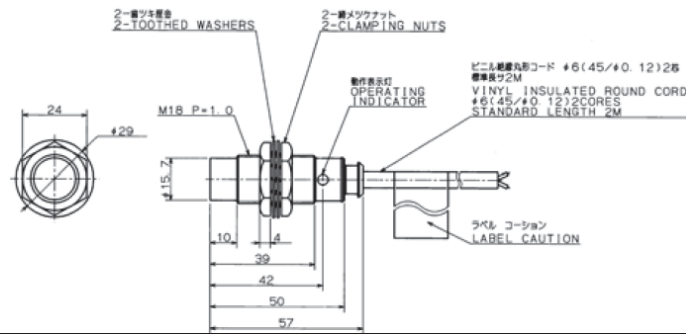
Product discontinuation	Recommended replacement
<b>E2E-X□(M)Y□-53 series</b> <b>E2E-X□(M)Y□-53US series</b>  	<b>E2E-X□(M)Y□-US series</b>  Note : Connect the load in one of the following ways. 

# Mounting Holes

Product discontinuation	Recommended replacement
<p><b>E2E-X5Y1-53</b> <b>E2E-X5Y2-53</b></p> <p>2-TOOTHED WASHERS 2-CLAMPING NUTS M18 P=1.0 24 4 39 42 50 57 OPERATING INDICATOR ラベル コーション LABEL CAUTION ビニル絶縁丸形コード #6(45/φ0.12)2芯 標準長さ 2M VINYL INSULATED ROUND CORD #6(45/φ0.12)2CORES STANDARD LENGTH 2M</p>	<p><b>E2E-X5Y1-US</b> <b>E2E-X5Y2-US</b></p> <p>M18×1 43 12 38 4 10 OPERATING INDICATOR 2.5 2-CLAMPING NUTS TOOTHED WASHER ラベル LABEL 2-メタボナツト 2-CLAMPING NUTS 歯ツキ蓋金 TOOTHED WASHER ビニル絶縁丸形コード #6(52/φ0.12)2芯 標準長さ 2M VINYL INSULATED ROUND CORD #6(52/φ0.12)2CORES STANDARD LENGTH 2M</p>
<p><b>E2E-X5Y1-53-US</b> <b>E2E-X5Y2-53-US</b></p> <p>M18 P=1.0 2-NUTS, TOOTHED LOCK WASHERS OPERATION INDICATOR PVC INSULATED CORD #6 (45/φ0.16 2CORE) STANDARD LENGTH 2M 4 39 50 57 CAUTION LABEL (UL/CSA MARK)</p>	
<p><b>E2E-X10Y1-53</b> <b>E2E-X10Y2-53</b></p> <p>M30 P=1.5 2-CLAMPING NUTS 2-TOOTHED WASHERS OPERATING INDICATOR 5 38 50 57 OPERATING INDICATOR ラベル コーション LABEL CAUTION ビニル絶縁丸形コード #6(45/φ0.12)2芯 標準長さ 2M VINYL INSULATED ROUND CORD #6(45/φ0.12)2CORES STANDARD LENGTH 2M</p>	<p><b>E2E-X10Y1-US</b> <b>E2E-X10Y2-US</b></p> <p>M30×1.5 48 12 43 5 10 OPERATING INDICATOR 2.5 2-CLAMPING NUTS TOOTHED WASHER ラベル LABEL 2-メタボナツト 2-CLAMPING NUTS 歯ツキ蓋金 TOOTHED WASHER ビニル絶縁丸形コード #6(52/φ0.12)2芯 標準長さ 2M VINYL INSULATED ROUND CORD #6(52/φ0.12)2CORES STANDARD LENGTH 2M</p>
<p><b>E2E-X10Y1-53-US</b> <b>E2E-X10Y2-53-US</b></p> <p>M30 P=1.5 2-NUTS, TOOTHED LOCK WASHERS OPERATION INDICATOR PVC INSULATED CORD #6 (45/φ0.16 2CORE) STANDARD LENGTH 2M 5 38 50 57 CAUTION LABEL (UL/CSA MARK)</p>	

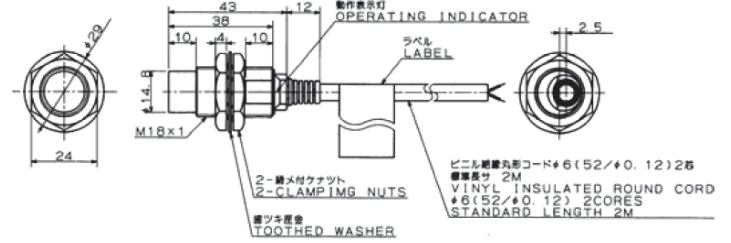
**Product discontinuation**

**E2E-X10MY1-53**  
**E2E-X10MY2-53**

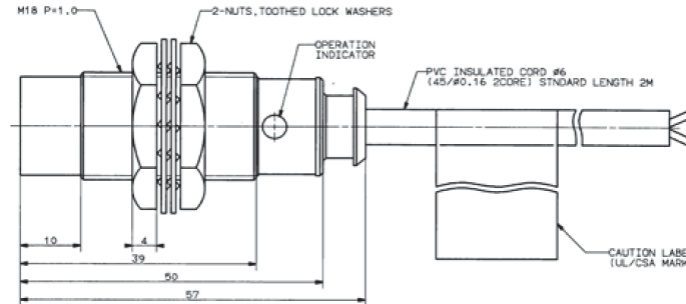


**Recommended replacement**

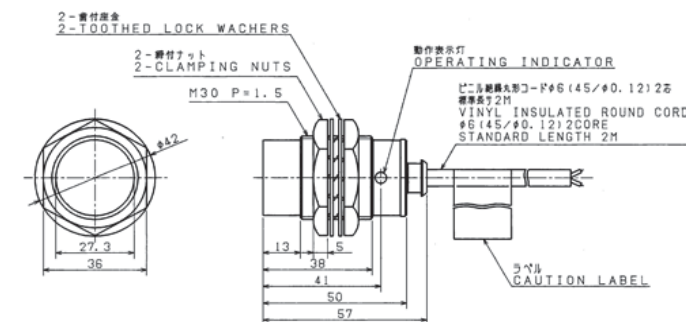
**E2E-X10MY1-US**  
**E2E-X10MY2-US**



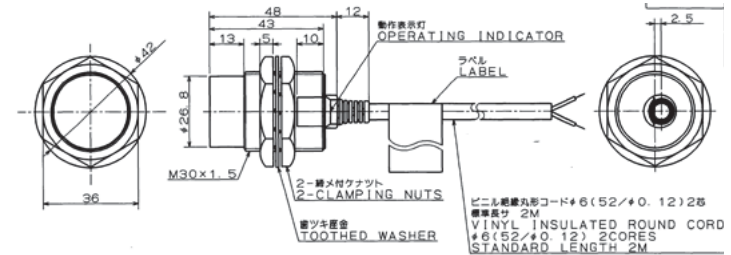
**E2E-X10MY1-53US**  
**E2E-X10MY2-53US**



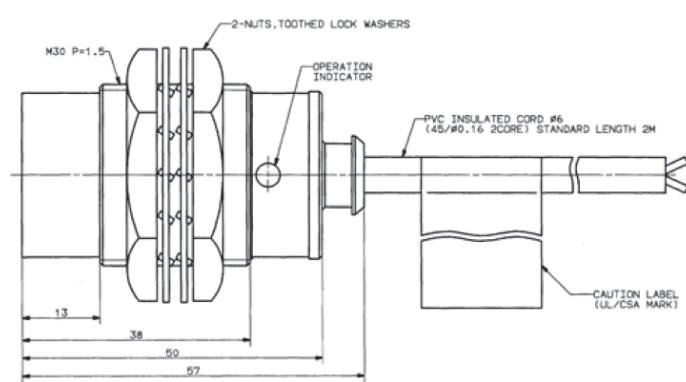
**E2E-X18MY1-53**  
**E2E-X18MY2-53**



**E2E-X18MY1-US**  
**E2E-X18MY2-US**



**E2E-X18MY1-53-US**  
**E2E-X18MY2-53-US**



## Characteristics

Item	Product discontinuation	Recommended replacement
		<b>Model E2E-X5Y□-53</b> <b>Model E2E-X5Y□-53-US</b> <b>Model E2E-X10(M)Y□-53</b> <b>Model E2E-X10(M)Y□-53-US</b> <b>Model E2E-X18MY□-53</b> <b>Model E2E-X18MY□-53-US</b>
<b>Sensing distance</b>	X5: 5 mm X10: 10 mm X18: 18 mm	
<b>Setting distance</b>	X5: 0 to 4 mm X10: 0 to 8 mm X18: 0 to 14 mm	
<b>Differential distance</b>	10% max	
<b>Sensing object</b>	Ferrous metals	
<b>Standard sensing object</b>	X5: 18×18×1 mm X10: 30×30×1 mm X18: 54×54×1 mm	
<b>Response frequency</b>	25 Hz	
<b>Power supply voltage</b>	±10% max. 100 to 120 VAC, 50/60 Hz	24 to 240 VAC, 50/60 Hz (20 to 264 VAC)
<b>Leakage current</b>	1.5 mA max	1.7 mA max
<b>Control output</b>	5 to 300 mA	-40°C to +70°C: 5 to 300 mA +70°C to +85°C: 5 to 200 mA
<b>Indicator lamp</b>	Operating indicator (Red)	
<b>Operating status</b>	Y1 type: NO Y2 type: NC	
<b>Protective circuits</b>	Load short-circuit protection, surge absorber	Surge absorber
<b>Ambient temperature</b>	Operating, Storage: -25°C to +70°C (with no icing or condensation)	Operating, Storage: -40°C to +85°C (with no icing or condensation)
<b>Temperature influence</b>	±10% max. of sensing distance at 23°C in temperature range of -25°C to 70°C	-25°C to +70°C: ±10% max. at 23°C -40°C to +85°C: ±15% max. at 23°C
<b>Voltage influence</b>	±1% max. of sensing distance in rated voltage range ±10%	±1% max. of sensing distance in rated voltage range ±15%
<b>Insulation resistance</b>	50 MΩ min. (500 VDC) between current carrying part and case	
<b>Dielectric strength</b>	4000 VAC 50/60 Hz for 1min between current carrying part and case	
<b>Vibration resistance</b>	10 to 55 Hz, 1.5-mm double amplitude for 2 hours each in X,Y, and Z directions	
<b>Shock resistance</b>	Destruction ; 1000 m/s <sup>2</sup> for 10 times each in X,Y, and Z directions	
<b>Degree of protection</b>	IEC60529 IP67	
<b>Materials</b>	Case: Brass, Nickel plated Sensing face: ABS resin	Case: Brass, Nickel plated Sensing face: PBT resin

Specifications and prices in this product news are as of the issue date and are subject to change without notice. Only main changes in specifications are described in this document. Please be sure to read the relevant catalogs, datasheets, product specifications, instructions, and manuals for precautions and necessary information when using products.