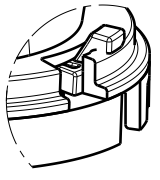
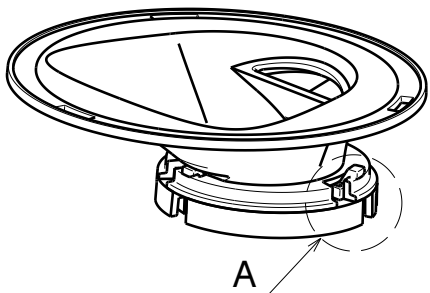
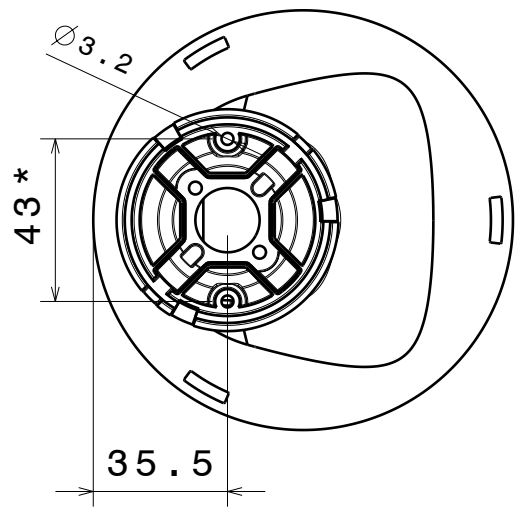


D C B A

4

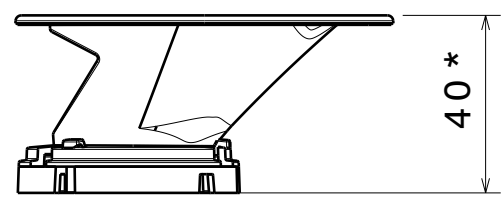


Detail A  
Fitting to base part



4

3



Front view

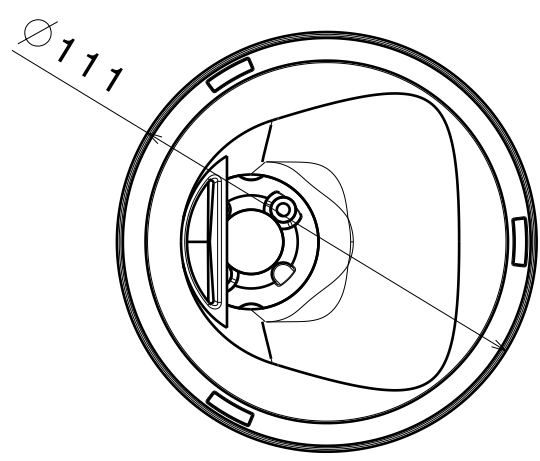
3

\*Dimension with CXA20-led base part

Materials:  
Base part, White PC.  
Reflector, PC with metal coating and clear lacquer.  
(Optional sub lens, PC)

Tolerances for dimensions:  
0-20mm tolerance value +/-0.1mm  
21-45mm tolerance value +/-0.2mm  
46-90mm tolerance value +/-0.3mm  
91-100mm tolerance value +/-0.4mm  
101-mm tolerance value +/-0.5mm

Note:  
Optional sublenses available, increases assembly height by 3-4mm depending style.



2

2

This drawing is our property. It can't be reproduced or communicated without our written agreement.		 Ledil Oy Salorankatu 10 FIN 24240 SALO Finland	
DRAWING TITLE			
Datasheet LENA-WAS reflector			
DRAWN BY	DATE	SIZE	DRAWING NUMBER
pv	31.05.2012	A4	-
CHECKED BY	DATE	SCALE	REV
vs	30.05.2012	1:2	1
DESIGNED BY	DATE	WEIGHT (g)	SHEET
hh	16.05.2012		1 / 1

1

1

D A