

6

5

4

3

2

1

E

E

D

D

C

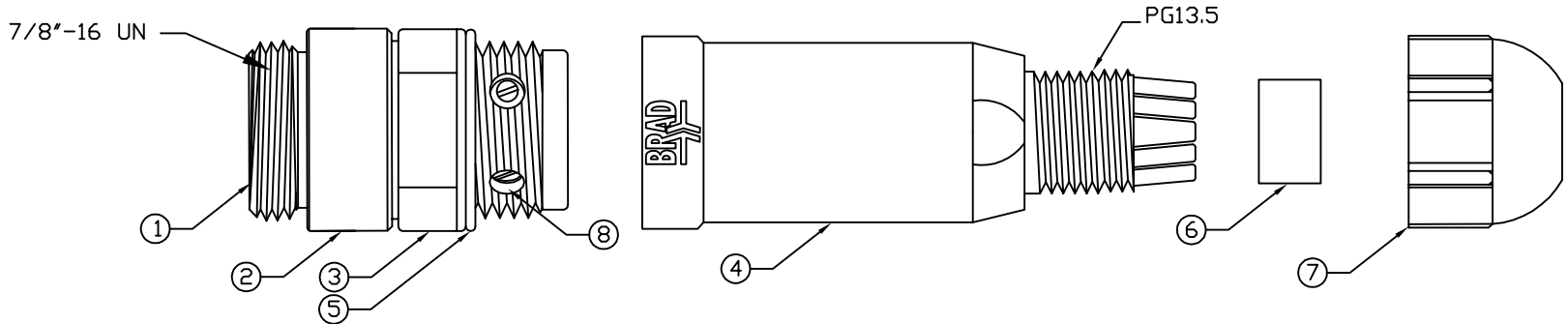
C

B

B

A

A



NOTES:

MATERIALS:  
 MOLDED BODY: BLACK POLYAMIDE  
 COUPLNG NUT: STAINLESS STEEL OR NI PLATED BRASS  
 COMPRESSION NUT: BLACK POLYAMIDE  
 GROMMET: NITRILE RUBBER  
 CONTACTS: GOLD/NICKEL OVER COPPER ALLOY  
 INSERT: BLACK PVC  
 INSERT HOUSING: BLACK POLYAMIDE  
 SET SCREWS: NI PLATED BRASS

ELECTRICAL:  
 CURRENT RATING: 8AMP MAX  
 VOLTAGE RATING: 300V

MECHANICAL:  
 TEMPERATURE RANGE: -20° TO 80°C  
 INGRESS PROTECTION: IP 67

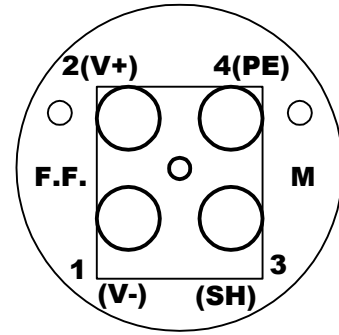
AGENCY CERTIFICATIONS:  
 AGENCY: CSA PENDING

TABLE 1 - PART NUMBER REFERENCE

MATERIAL NUMBER	ENGINEERING NUMBER	COULPER STYLE
1300440002	1A4006-34FF8	HEX - 316 STAINLESS STEEL
1300440010	1A4006-34FF	KNURLED - NICKEL BRASS

TABLE 2 - COMPONENT INFORMATION

ITEM	QTY	DESCRIPTION
1	1	INSULATOR
2	1	COUPLNG NUT
3	1	INSERT BODY
4	1	CONNECTOR BODY
5	1	O-RING
6	1	GROMMET
7	1	COMPRESSION NUT
8	4	SCREW, M3 x 5



MALE INSERT-BACK VIEW

UPDATE PER JM EC NO: WNA2009-0313 DRWN: LHARTMAN 2008/10/27 CHKD: YOU 2008/11/07 APPR: JFMURPHY 2008/11/10	QUALITY SYMBOLS ▽=0 ▽C=0	GENERAL TOLERANCES (UNLESS SPECIFIED)		DIMENSION STYLE		SCALE	DESIGN UNITS	THIRD ANGLE PROJECTION
				----		1:1	INCH	
				DRAWN BY DATE		TITLE		
				CHECKED BY DATE		MOLEX INCORPORATED		
		APPROVED BY DATE		DOCUMENT NO.		SHEET NO.		
		ANGULAR ±1°		SEE TABLE		SD-130044-002		
		DRAFT WHERE APPLICABLE MUST REMAIN WITHIN DIMENSIONS		SIZE A		THIS DRAWING CONTAINS INFORMATION THAT IS PROPRIETARY TO MOLEX INCORPORATED AND SHOULD NOT BE USED WITHOUT WRITTEN PERMISSION		

6

5

4

3

2

1