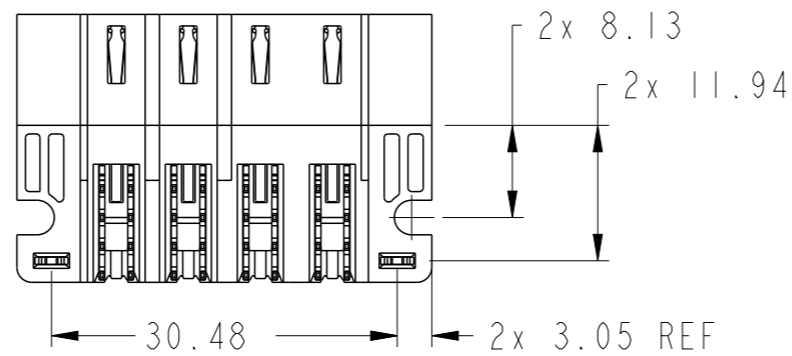
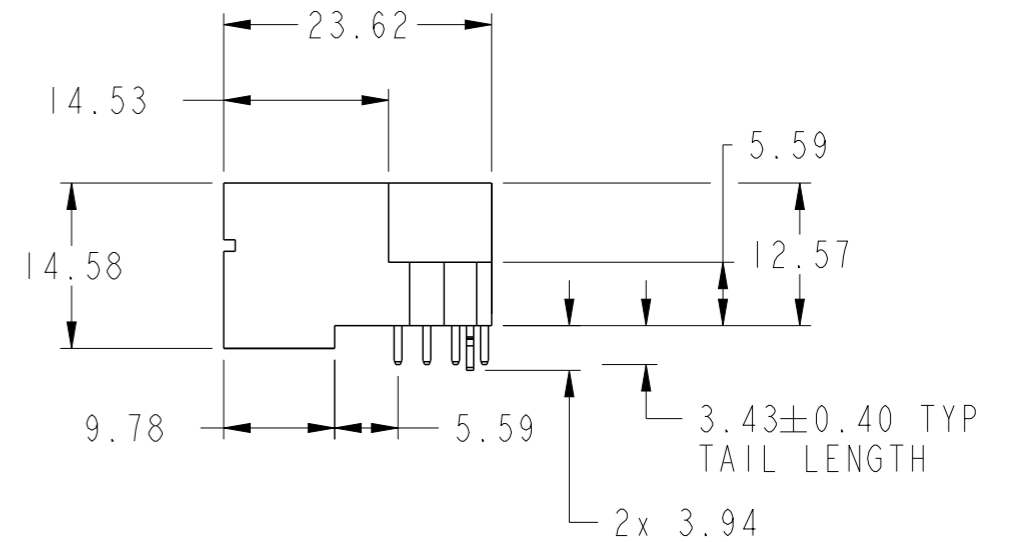
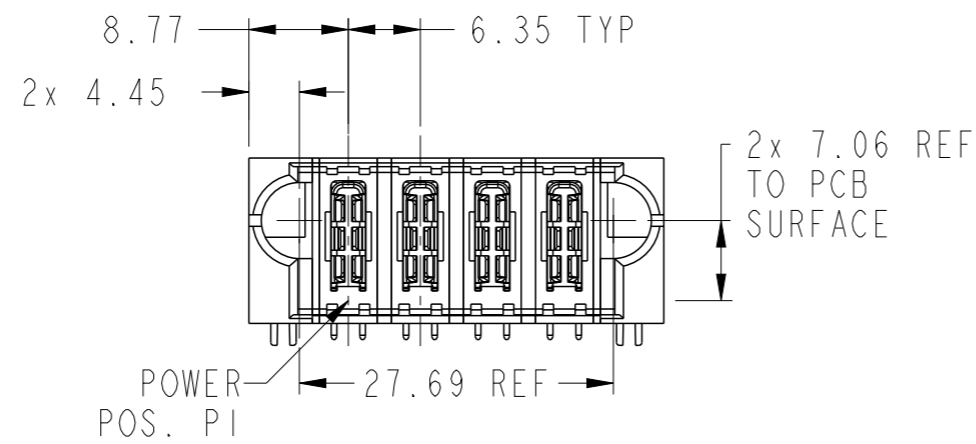
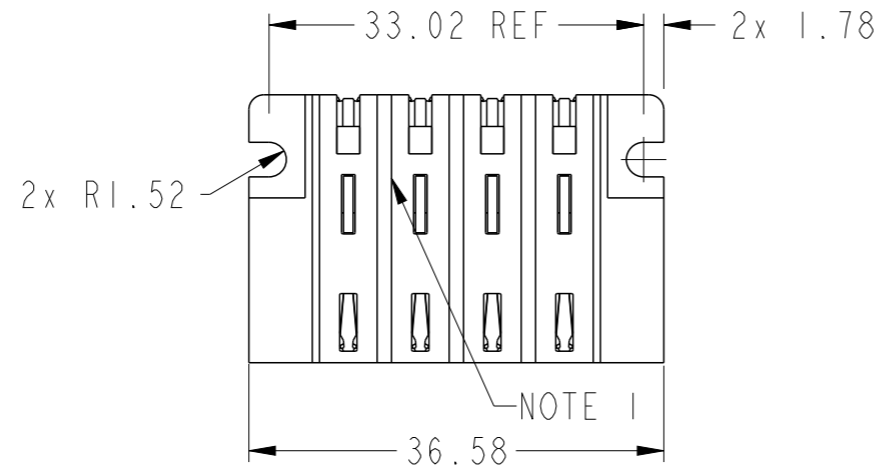


PRODUCT NUMBER SEE SHEET 2

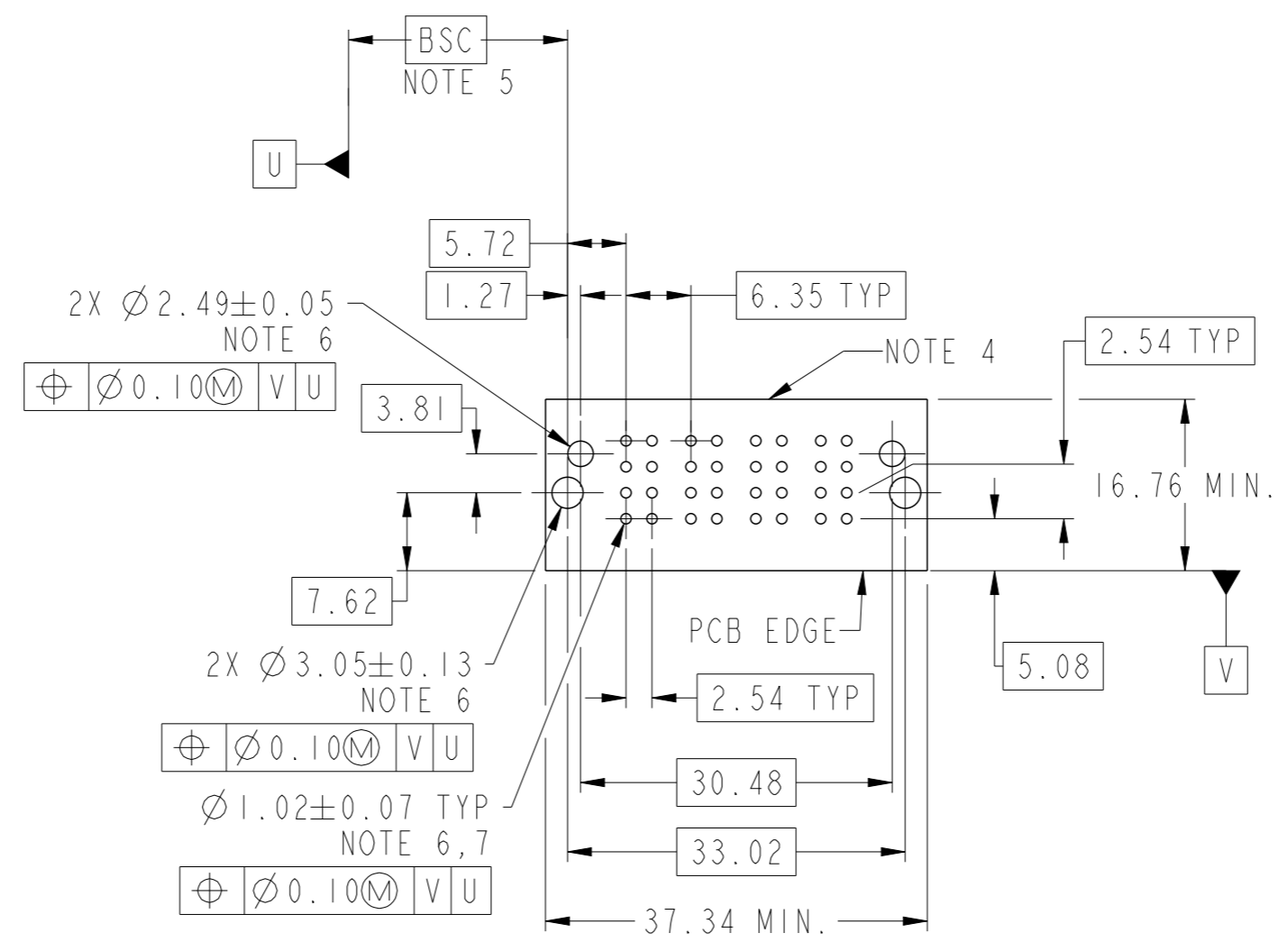


spec ref	*	dr	Rainbow Zhan	2014/08/14	projection	MM	size	A3	scale	3:2
tolerance std	ASME Y14.5	eng	Rainbow Zhan	2014/10/31			ecn no	-	rel level	Released
TOLERANCES UNLESS OTHERWISE SPECIFIED		chr	Li-He	2014/10/30						
surface	<input checked="" type="checkbox"/> linear <input type="checkbox"/> angular	appr	Pei-Ming Zheng	2014/10/31	product family	PwrBlade+	rel level	Released		
ASME Y14.5	linear: 0.X ±0.5, 0.XX ±0.25, 0.XXX ±0.10 angular: 0° ±2°			title: 4HP RA STB HEADER	cat. no.	Product - Customer Drw	sheet 1 of 3	dwg no: 10106124-4000001	rev: A	



Copyright FCI.

PRODUCT NO.	ROWS	HIGH POWER					
		E1	P1	P2	P3	P4	E2
10106124-4000001LF	DCBA	H1	H1	H1	H1		



Copyright FCI.

CODE	DESCRIPTION
HI	STD HIGH POWER CONTACT (3.43)
HA	METAL HOLD DOWN

dr	Rainbow Zhan	2014/08/14	projection	MM	size	A3	scale	3:2	
eng	Rainbow Zhan	2014/10/31			ecn no	-			
chr	Li-He	2014/10/30	product family	PwrBlade+	rel level				
appr	Pei-Ming Zheng	2014/10/31			Released				
www.fci.com		cat. no.	title		4HP	dwg no	10106124-4000001	rev	A
			Product - Customer Drw		sheet 2 of 3				

NOTES:

- 1) "FCI", PART NUMBER AND DATE CODE TO BE MARKED ON THIS SURFACE.  
THE MARK CAN BE OMITTED IF THERE IS NOT ENOUGH SPACE ON THIS SURFACE.
- 2) MATERIALS:  
-HOUSING - GLASS FILLED WITH HIGH TEMP THERMOPLASTIC, UL94V-0.  
-SIGNAL CONTACT - COPPER ALLOY.  
-POWER CONTACT - HIGH CONDUCTIVITY COPPER ALLOY.
- 3) PLATING SPECIFICATION REFER TO FCI 10116351
- 4) DENOTES CONNECTOR KEEP OUT ZONE.
- 5) DATUM AND BASIC DIMENSIONS WERE ESTABLISHED BY CUSTOMER.
- 6) ALL HOLE DIAMETERS ARE FINISHED HOLE SIZES.
- 7)  $1.15 \pm 0.025$ MM DRILLED HOLE PLATED WITH 0.00762MM MIN Sn  
OVER 0.0254-0.0762MM Cu PLATING TO ACHIEVE A  $1.02 \pm 0.07$ MM HOLE.
- 8) PRODUCT SPECIFICATION REFER TO FCI GS-12-658.  
APPLICATION SPECIFICATION REFER TO FCI GS-20-141.  
PRODUCT PACKAGED IN TRAYS, REFER TO FCI GS-14-1502.



Copyright FCI.

dr	Rainbow Zhan	2014/08/14	projection 	MM 	size	A3	scale	3:2		
eng	Rainbow Zhan	2014/10/31			ecn no	-				
chr	Li-He	2014/10/30			rel level	Released				
appr	Pei-Ming Zheng	2014/10/31	product family	PwrBlade+						
		title		4HP		dwg no		10106124-4000001	rev	A
www.fci.com		cat. no.		Product - Customer Drw			sheet 3 of 3			