

THIS DRAWING IS UNPUBLISHED.

RELEASED FOR PUBLICATION

ALL RIGHTS RESERVED.

© COPYRIGHT - By -

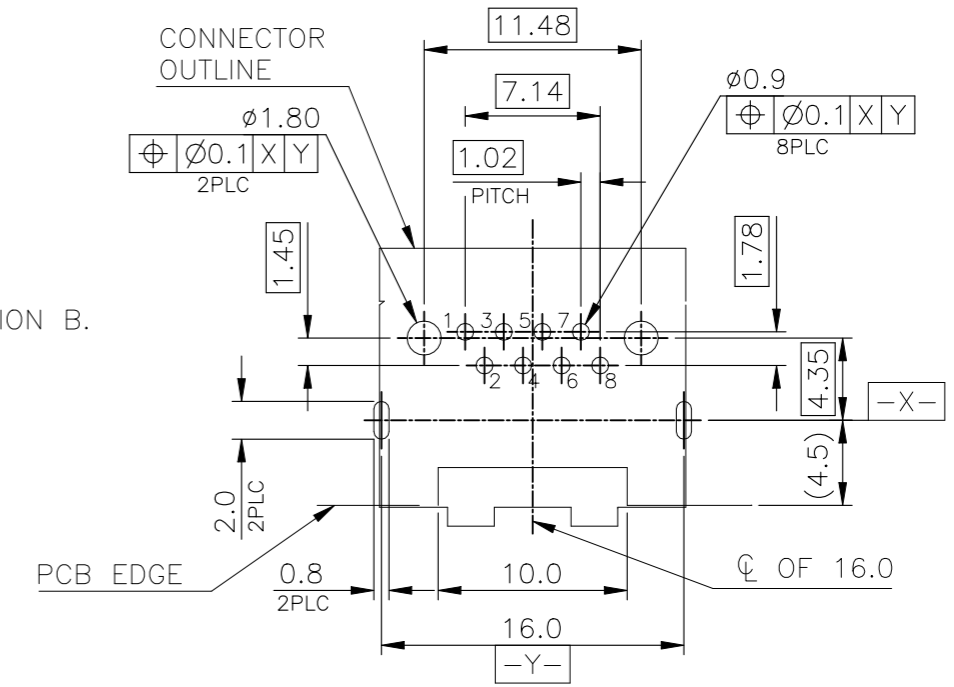
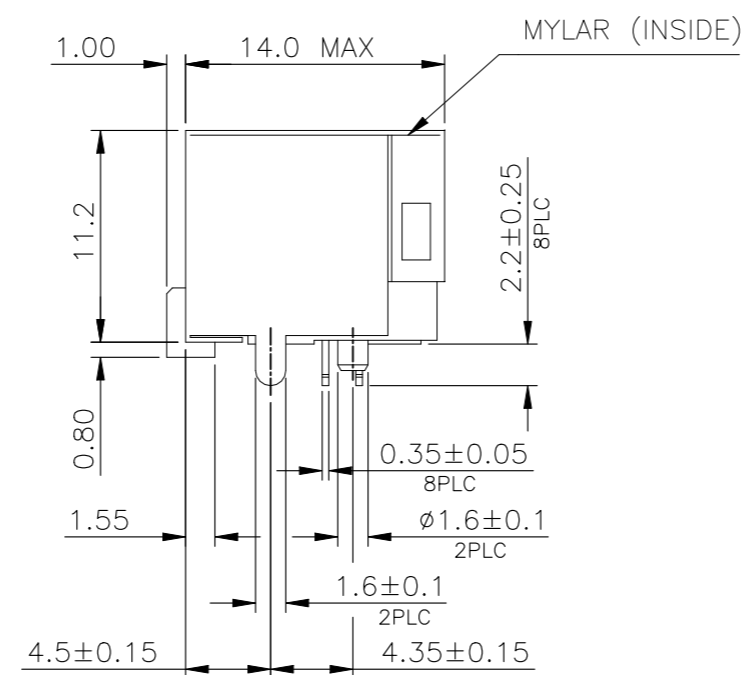
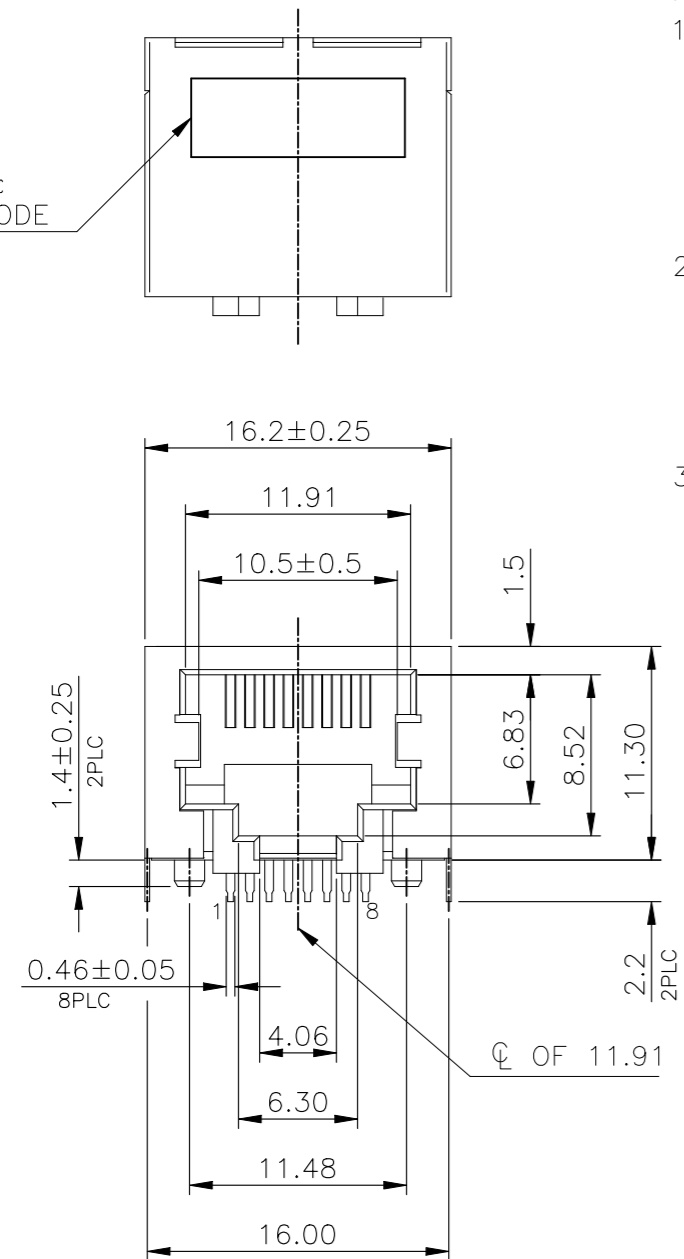
REVISIONS

P	LTR	DESCRIPTION	DATE	DWN	APVD
D1	ECR-21-108382		25JUN	RR	SZ

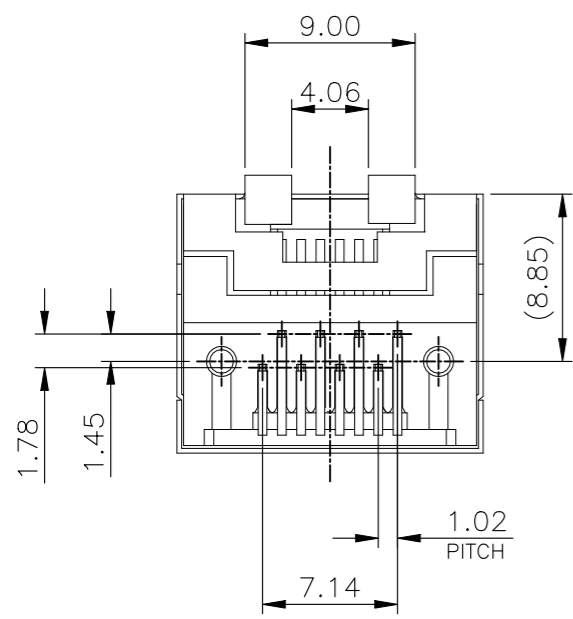
NOTES:

1. MATERIAL:
  - 1.1 HOUSING & INSERT HOUSING: LCP, WITH 30% G.F, UL94 V-0; COLOR: BLACK
  - 1.2 CONTACT: PHOSPHOR BRONZE.
  - 1.3 SHELL: BRASS.
  - 1.4 MYLAR: SILICONE POLYMER.
2. FINISH:
  - 2.1 CONTACT: (SEE TABLE) GOLD PLATED ON CONTACT AREA. GOLD FLASH ON SOLDER TAIL. 1.27um [50u"] MIN. NICKEL UNDERPLATED OVERALL.
  - 2.2 SHELL: 0.508um [20u"] MIN. NICKEL PLATED.
3. WAVE SOLDER CAPABLE TO 265°C PER TE SPEC. 109-202, CONDITION B.

LOGO & DATE CODE



RECOMMENDED PCB LAYOUT (COMPONENT SIDE)  
 TOLERANCE: ±0.05  
 PCB THICKNESS: 1.6mm



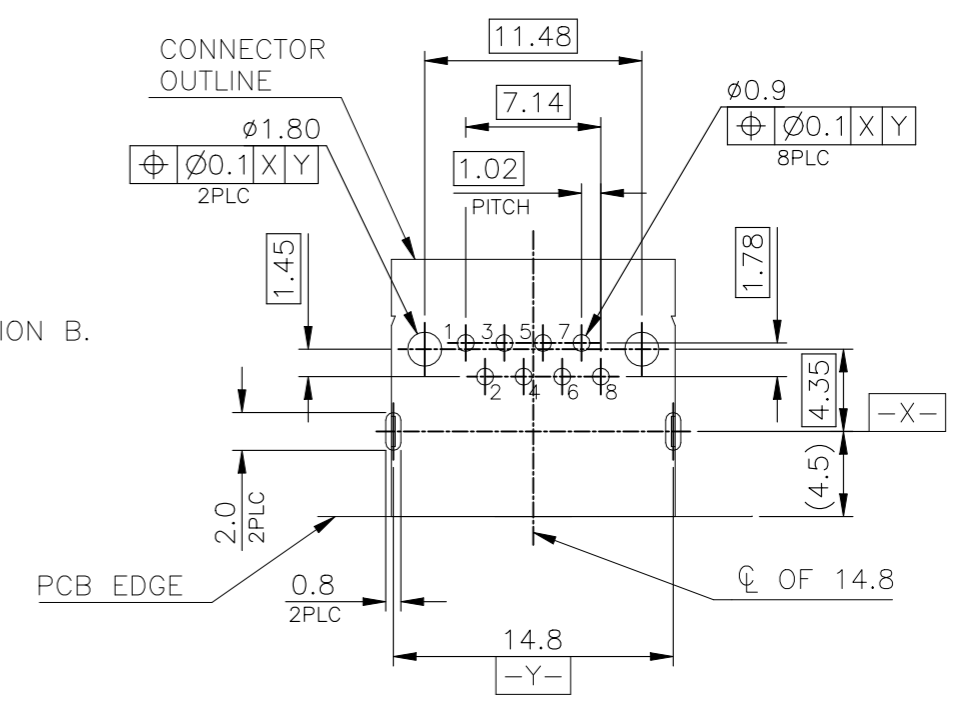
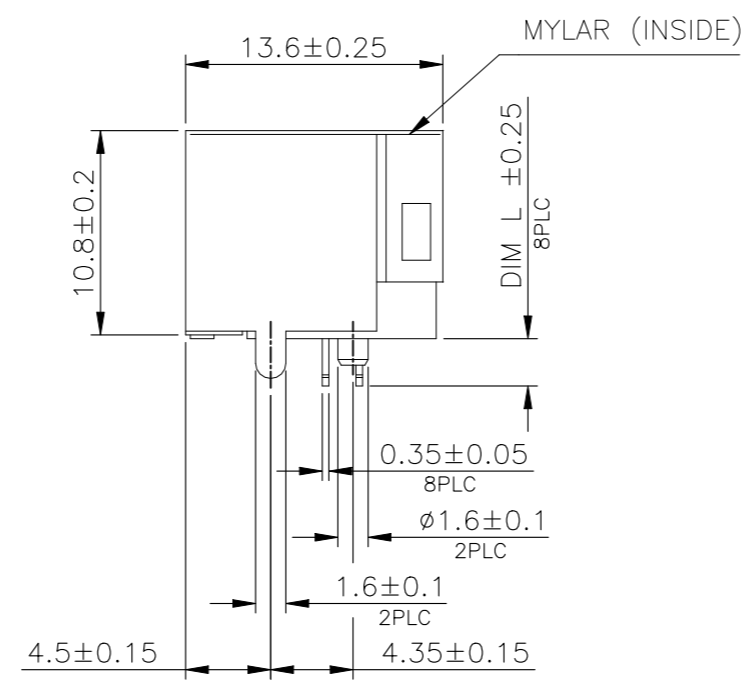
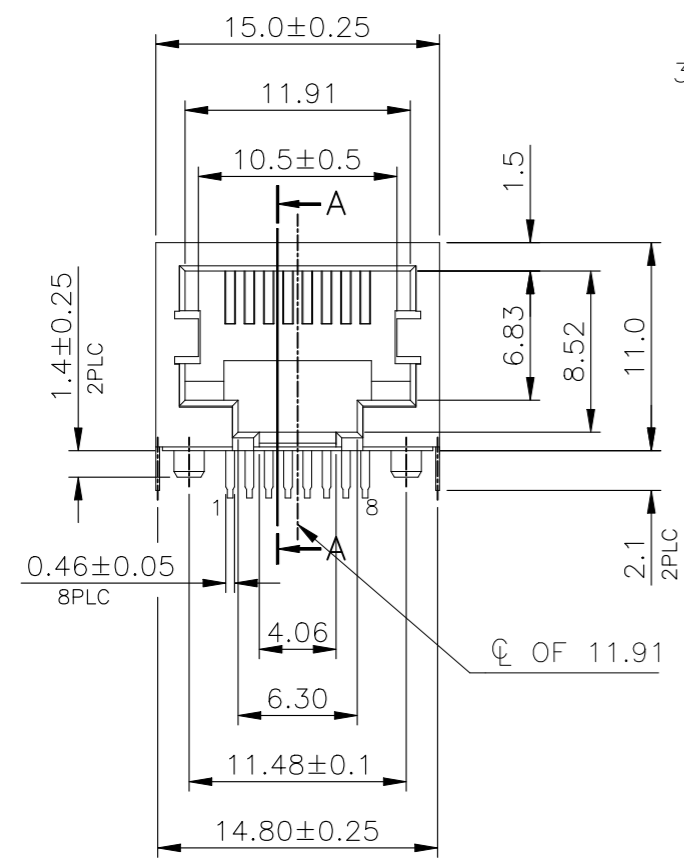
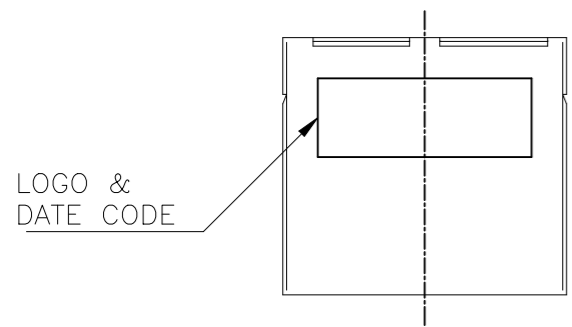
	1.27um [50u"]	1734579-4
OBSOLETE	0.762um [30u"]	<del>1734579-3</del>
OBSOLETE	0.381um [15u"]	<del>1734579-2</del>
OBSOLETE	0.152um [6u"]	<del>1734579-1</del>
	MIN. GOLD THICKNESS	PART NUMBER

THIS DRAWING IS A CONTROLLED DOCUMENT.		DWN B. HSING 27OCT2006	TE Connectivity														
DIMENSIONS: mm		CHK S. CHIEN 27OCT2006															
TOLERANCES UNLESS OTHERWISE SPECIFIED:		APVD W. KODAMA 27OCT2006	NAME														
<table border="0"> <tr><td>0 PLC</td><td>± -</td></tr> <tr><td>1 PLC</td><td>± 0.3</td></tr> <tr><td>2 PLC</td><td>± 0.2</td></tr> <tr><td>3 PLC</td><td>± 0.15</td></tr> <tr><td>4 PLC</td><td>± -</td></tr> <tr><td>ANGLES</td><td>± 3°</td></tr> </table>		0 PLC	± -	1 PLC	± 0.3	2 PLC	± 0.2	3 PLC	± 0.15	4 PLC	± -	ANGLES	± 3°	PRODUCT SPEC 108-57527		MODULAR JACK CONNECTOR RJ45, 8P8C SHIELDED, TAB DOWN, DIP TYPE	
0 PLC	± -																
1 PLC	± 0.3																
2 PLC	± 0.2																
3 PLC	± 0.15																
4 PLC	± -																
ANGLES	± 3°																
MATERIAL SEE NOTE		FINISH SEE NOTE		APPLICATION SPEC -	RESTRICTED TO -												
		WEIGHT -	SIZE A3	CAGE CODE 00779	DRAWING NO C-1734579												
CUSTOMER DRAWING			SCALE 1:1	SHEET 1 OF 5	REV D1												

THIS DRAWING IS UNPUBLISHED. RELEASED FOR PUBLICATION  
 © COPYRIGHT - By - ALL RIGHTS RESERVED.

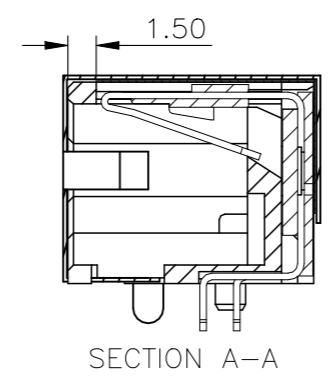
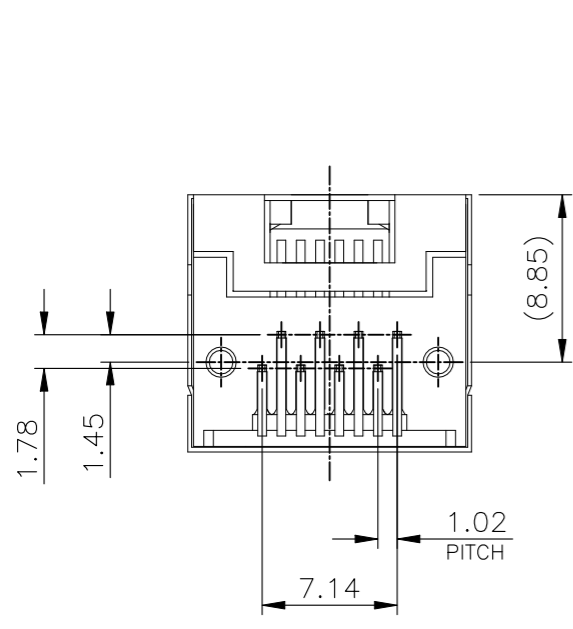
P	LTR	DESCRIPTION	DATE	DWN	APVD
-	-	SEE SHEET 1	-	-	-

- NOTES:
- MATERIAL:
    - HOUSING & INSERT HOUSING: LCP, WITH 30% G.F, UL94 V-0; COLOR: BLACK
    - CONTACT: PHOSPHOR BRONZE.
    - SHELL: BRASS.
    - MYLAR: SILICONE POLYMER.
  - FINISH:
    - CONTACT: (SEE TABLE) GOLD PLATED ON CONTACT AREA. GOLD FLASH ON SOLDER TAIL. 1.27um [50u"] MIN. NICKEL UNDERPLATED OVERALL.
    - SHELL: 0.508um [20u"] MIN. NICKEL PLATED.
  - WAVE SOLDER CAPABLE TO 265°C PER TE SPEC. 109-202, CONDITION B.



RECOMMENDED PCB LAYOUT (COMPONENT SIDE)  
 TOLERANCE: ±0.05  
 PCB THICKNESS: 1.6mm

OBSOLETE	2.5	1.27um [50u"]	<del>2-1734579-4</del>
OBSOLETE	3.2	1.27um [50u"]	<del>1-1734579-6</del>
OBSOLETE	2.5	1.27um [50u"]	1-1734579-4
OBSOLETE		0.762um [30u"]	<del>1-1734579-3</del>
OBSOLETE		0.381um [15u"]	<del>1-1734579-2</del>
OBSOLETE		0.152um [6u"]	<del>1-1734579-1</del>
	DIM L	MIN. GOLD THICKNESS	PART NUMBER



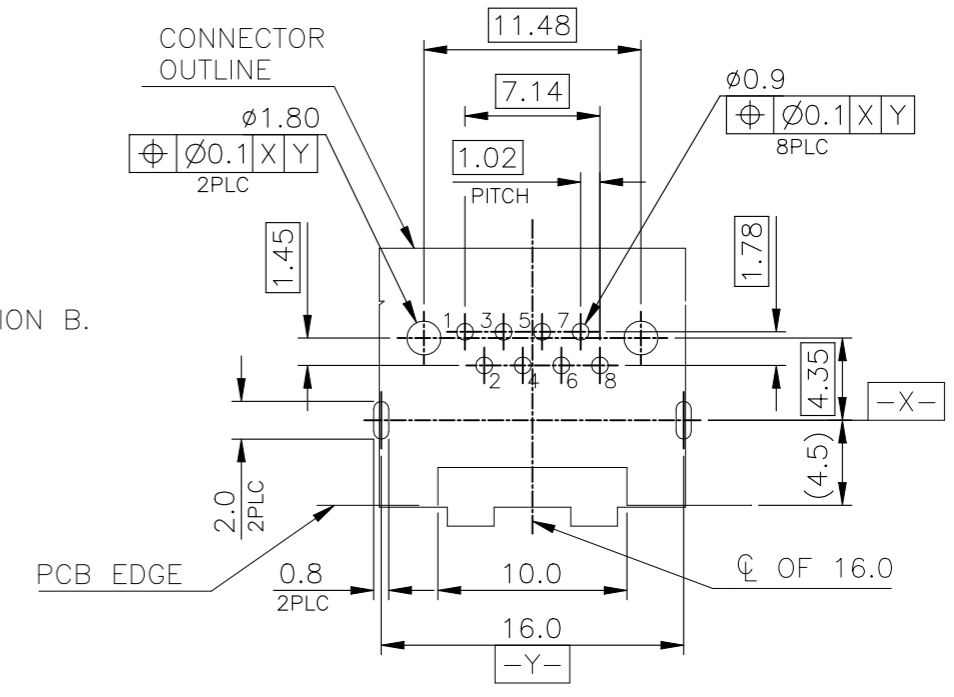
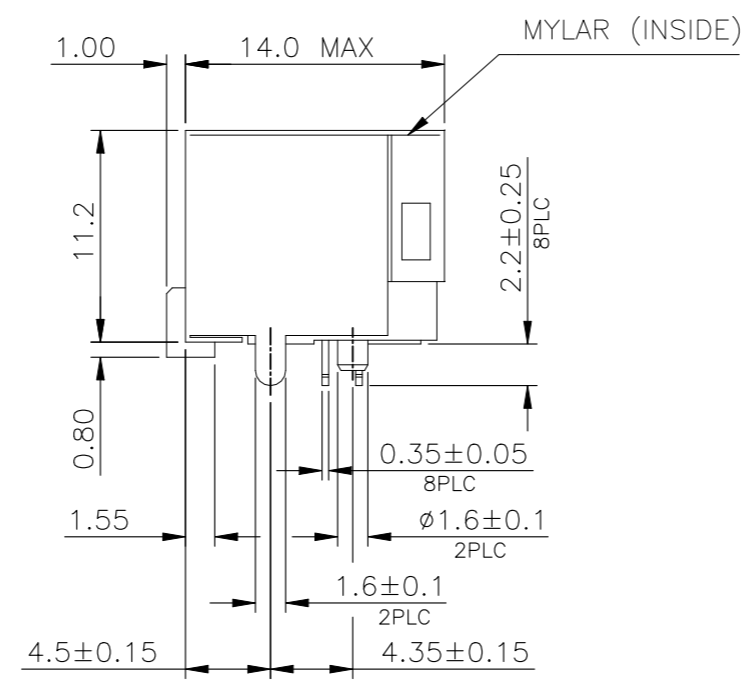
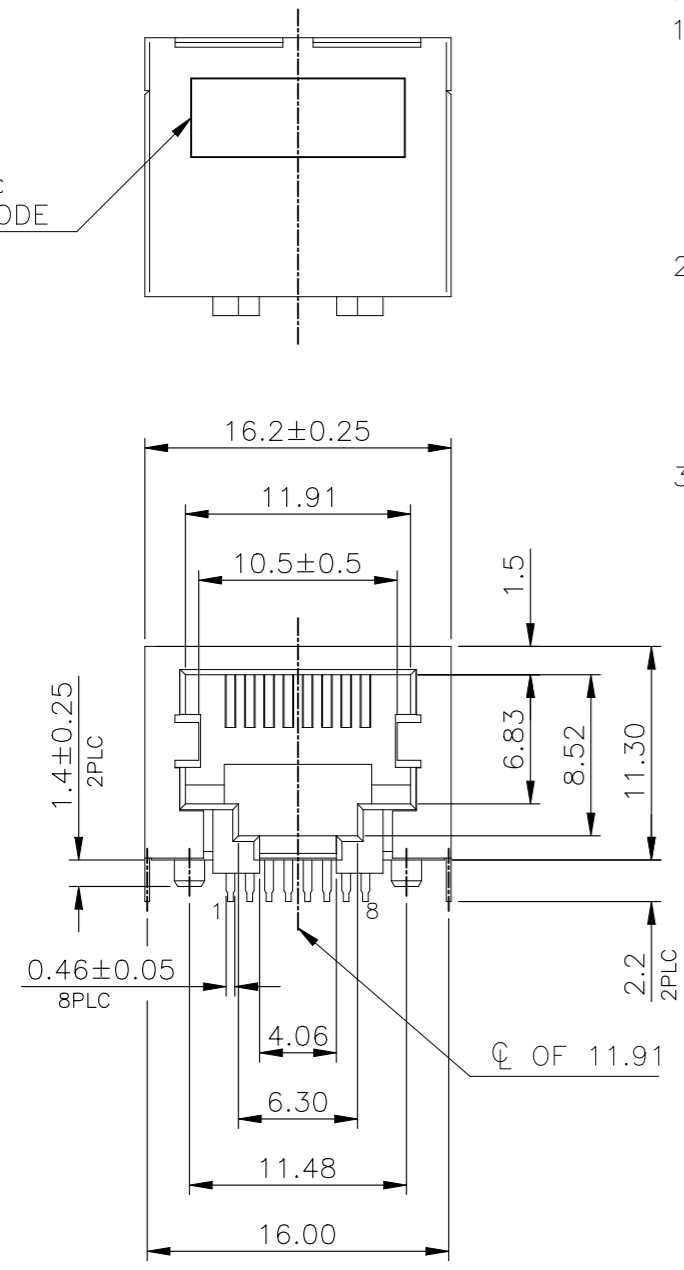
THIS DRAWING IS A CONTROLLED DOCUMENT.		DWN B. HSING 270CT2006	TE Connectivity	
		CHK S. CHIEN 270CT2006		
DIMENSIONS: mm		APVD W. KODAMA 270CT2006	NAME	
TOLERANCES UNLESS OTHERWISE SPECIFIED:		PRODUCT SPEC		
0 PLC ± - 1 PLC ± 0.3 2 PLC ± 0.2 3 PLC ± 0.15 4 PLC ± - ANGLES ± 3°		108-57527		
MATERIAL SEE NOTE		APPLICATION SPEC		
FINISH SEE NOTE		MODULAR JACK CONNECTOR RJ45, 8P8C SHIELDED, TAB DOWN, DIP TYPE		
		WEIGHT 2.85 GRAMS	SIZE A3	CAGE CODE 00779
		DRAWING NO C-1734579		RESTRICTED TO -
CUSTOMER DRAWING		SCALE 1:1	SHEET 2 OF 5	REV D1

THIS DRAWING IS UNPUBLISHED. RELEASED FOR PUBLICATION  
 © COPYRIGHT - By - ALL RIGHTS RESERVED.

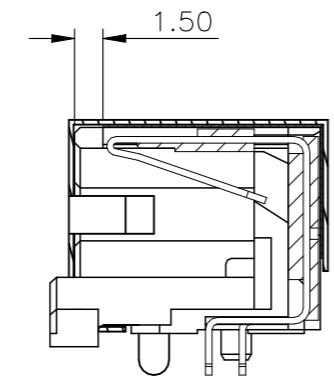
REVISIONS					
P	LTR	DESCRIPTION	DATE	DWN	APVD
-	-	SEE SHEET 1	-	-	-

- NOTES:
- MATERIAL:
    - HOUSING & INSERT HOUSING: LCP, WITH 30% G.F, UL94 V-0; COLOR: BLACK
    - CONTACT: PHOSPHOR BRONZE.
    - SHELL: BRASS.
    - MYLAR: SILICONE POLYMER.
  - FINISH:
    - CONTACT: (SEE TABLE) GOLD PLATED ON CONTACT AREA. GOLD FLASH ON SOLDER TAIL. 1.27um [50u"] MIN. NICKEL UNDERPLATED OVERALL.
    - SHELL: 0.508um [20u"] MIN. NICKEL PLATED.
  - WAVE SOLDER CAPABLE TO 265°C PER TE SPEC. 109-202, CONDITION B.

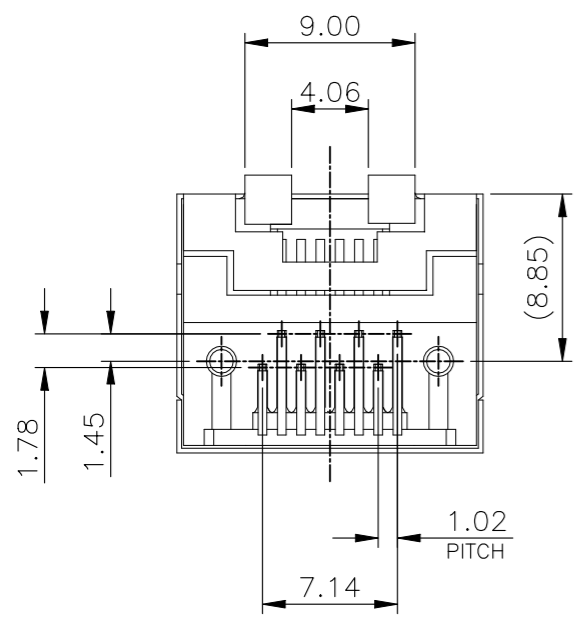
LOGO & DATE CODE



RECOMMENDED PCB LAYOUT (COMPONENT SIDE)  
 TOLERANCE: ±0.05  
 PCB THICKNESS: 1.6mm



SECTION A-A



1.27um [50u"]	3-1734579-4
MIN. GOLD THICKNESS	PART NUMBER

THIS DRAWING IS A CONTROLLED DOCUMENT.		DWN B. HSING 27OCT2006	TE Connectivity		
DIMENSIONS: mm		CHK S. CHIEN 27OCT2006			
TOLERANCES UNLESS OTHERWISE SPECIFIED:		APVD W. KODAMA 27OCT2006	NAME		
0 PLC ± - 1 PLC ± 0.3 2 PLC ± 0.2 3 PLC ± 0.15 4 PLC ± - ANGLES ± 3°		PRODUCT SPEC 108-57527	MODULAR JACK CONNECTOR		
MATERIAL SEE NOTE		APPLICATION SPEC -	RJ45, 8P8C		
FINISH SEE NOTE		WEIGHT -	SHIELDED, TAB DOWN, DIP TYPE		
		CUSTOMER DRAWING	SIZE A3	CAGE CODE 00779	DRAWING NO C-1734579
			SCALE 1:1	SHEET 3 OF 5	REV D1

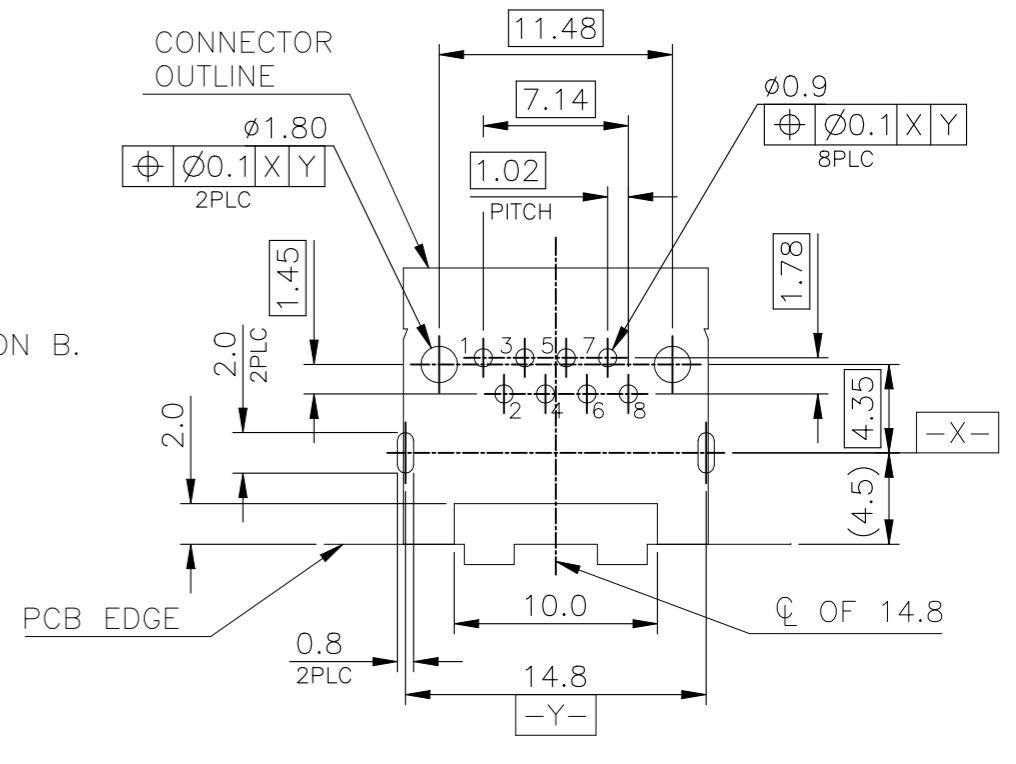
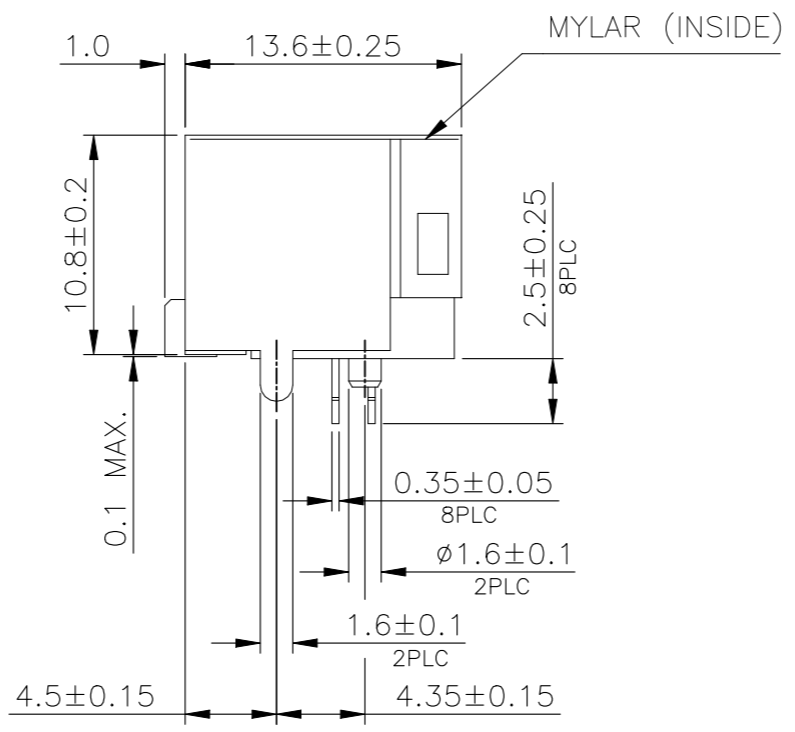
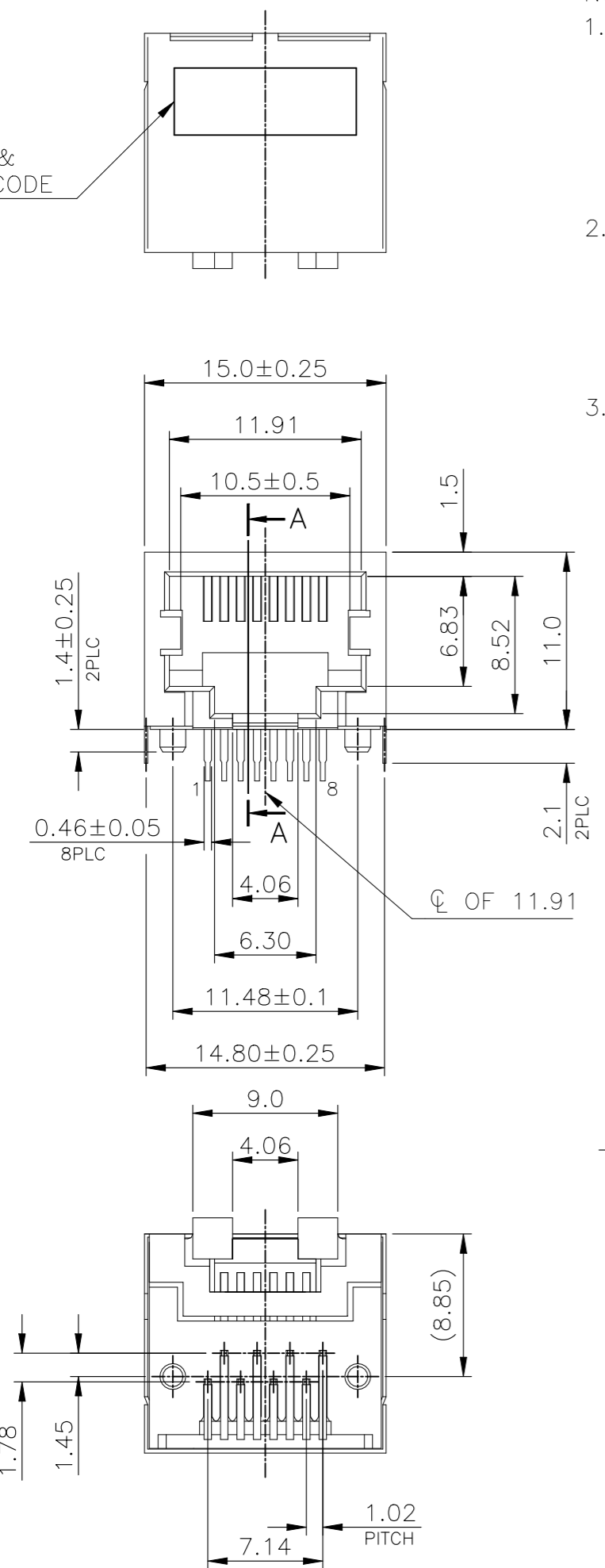
THIS DRAWING IS UNPUBLISHED. RELEASED FOR PUBLICATION  
 © COPYRIGHT - By - ALL RIGHTS RESERVED.

P	LTR	DESCRIPTION	DATE	DWN	APVD
-	-	SEE SHEET 1	-	-	-

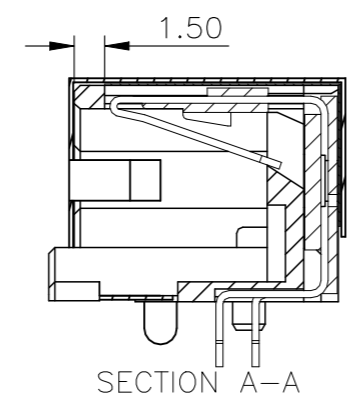
NOTES:

1. MATERIAL:
  - 1.1 HOUSING & INSERT HOUSING: LCP, WITH 30% G.F, UL94 V-0; COLOR: BLACK
  - 1.2 CONTACT: PHOSPHOR BRONZE.
  - 1.3 SHELL: BRASS.
  - 1.4 MYLAR: SILICONE POLYMER.
2. FINISH:
  - 2.1 CONTACT: (SEE TABLE) GOLD PLATED ON CONTACT AREA. GOLD FLASH ON SOLDER TAIL. 1.27um [50u"] MIN. NICKEL UNDERPLATED OVERALL.
  - 2.2 SHELL: 0.508um [20u"] MIN. NICKEL PLATED.
3. WAVE SOLDER CAPABLE TO 265°C PER TE SPEC. 109-202, CONDITION B.

LOGO & DATE CODE



RECOMMENDED PCB LAYOUT (COMPONENT SIDE)  
 TOLERANCE: ±0.05  
 PCB THICKNESS: 1.6mm

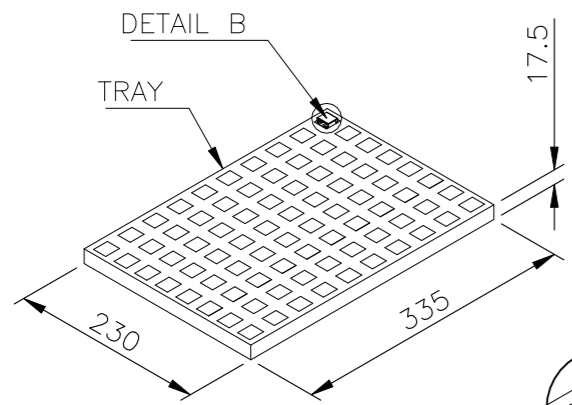


D1	1.27um [50u"]	1-1734579-7
	MIN. GOLD THICKNESS	PART NUMBER

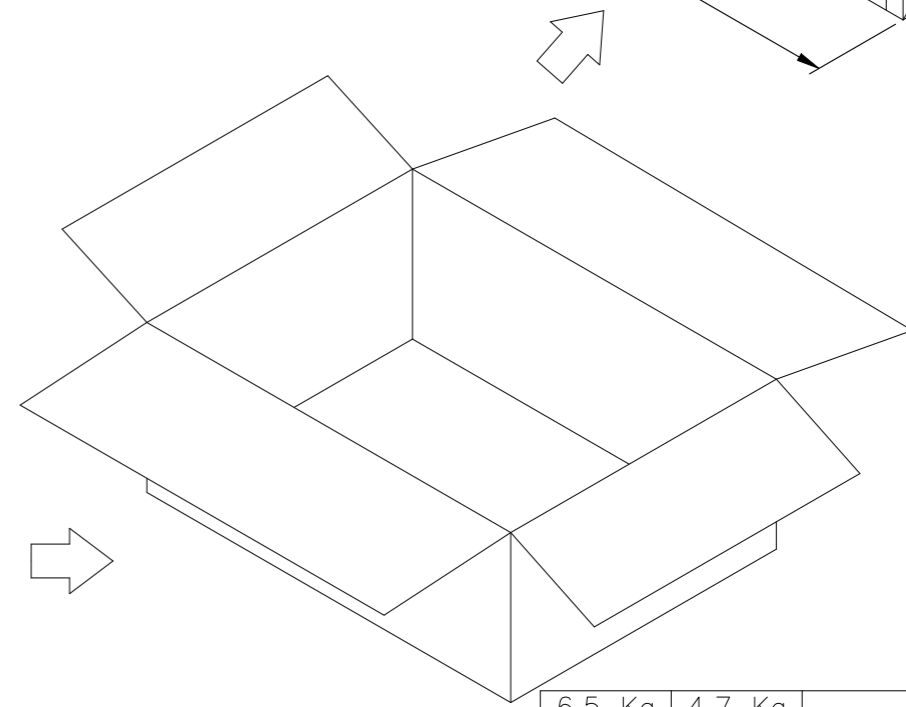
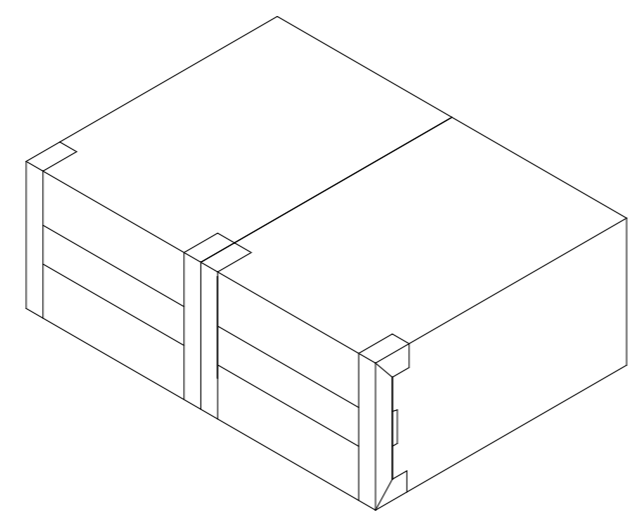
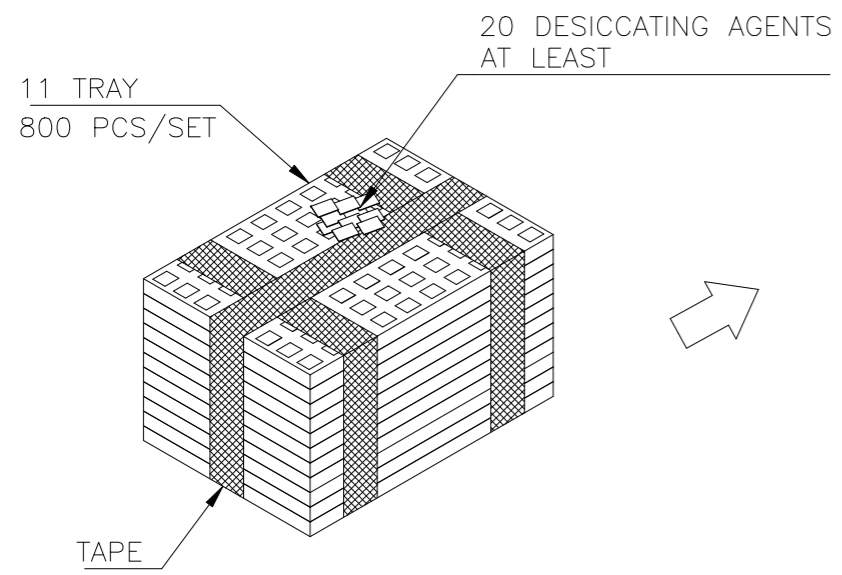
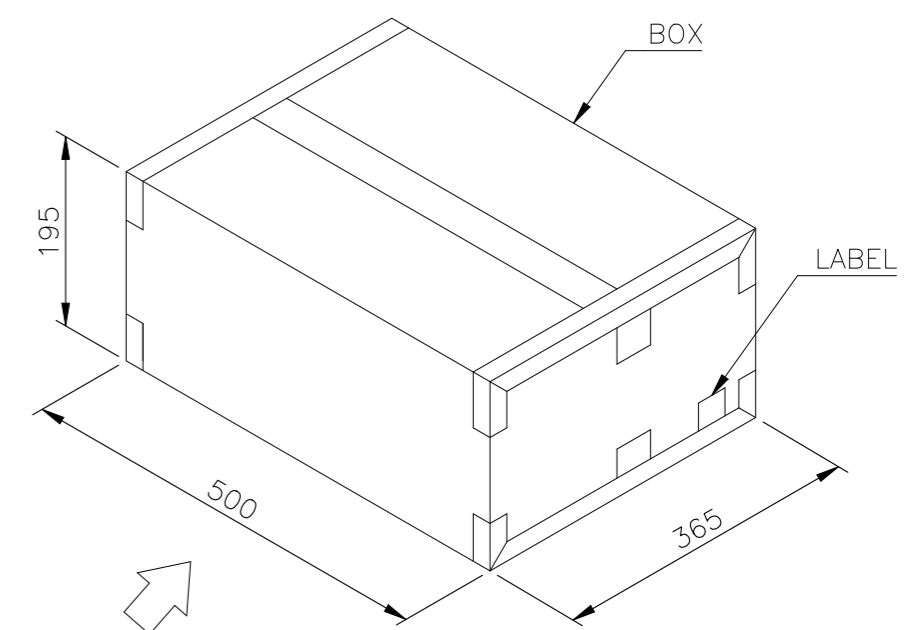
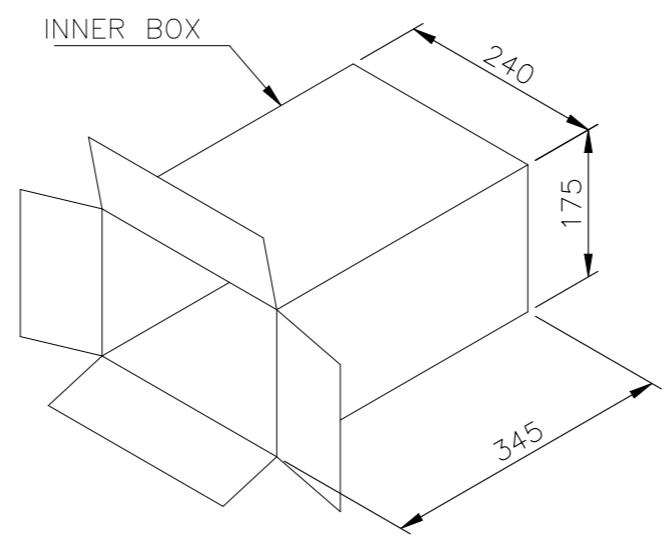
THIS DRAWING IS A CONTROLLED DOCUMENT.		DWN B. HSING 270CT2006	TE Connectivity		
DIMENSIONS: mm		CHK S. CHIEN 270CT2006			
TOLERANCES UNLESS OTHERWISE SPECIFIED:		APVD W. KODAMA 270CT2006	NAME		
0 PLC ± -		PRODUCT SPEC		MODULAR JACK CONNECTOR	
1 PLC ± 0.25		APPLICATION SPEC		RJ45, 8P8C	
2 PLC ± 0.13		108-57527		SHIELDED, TAB DOWN, DIP TYPE	
3 PLC ± 0.05		-		SIZE	RESTRICTED TO
4 PLC ± -		-		A3	-
ANGLES ± 3°		WEIGHT -		CAGE CODE	DRAWING NO
FINISH		CUSTOMER DRAWING		A300779	C-1734579
SEE NOTE		SCALE 1:1		SHEET 4 OF 5	REV D1
SEE NOTE		-		-	

THIS DRAWING IS UNPUBLISHED. RELEASED FOR PUBLICATION  
 © COPYRIGHT - By - ALL RIGHTS RESERVED.

REVISIONS					
P	LTR	DESCRIPTION	DATE	DWN	APVD
-	-	SEE SHEET 1	-	-	-



DETAIL B  
SCALE 4:1



6.5 Kg	4.7 Kg	80	20	1600	1-1734579-7
6.5 Kg	4.5 Kg				2-1734579-4
7.6 Kg	5.6 Kg	80	20	1600	1-1734579-X
					1734579-X
					3-1734579-4
GROSS WEIGHT	NET WEIGHT	PCS/TRAY	TRAY/BOX	PCS/BOX	PART NUMBER

THIS DRAWING IS A CONTROLLED DOCUMENT.		DWN B. HSING 27OCT2006	<b>STE</b> TE Connectivity		
DIMENSIONS: mm		CHK S. CHIEN 27OCT2006			
TOLERANCES UNLESS OTHERWISE SPECIFIED:		APVD W. KODAMA 27OCT2006	NAME		
0 PLC ± -		PRODUCT SPEC			
1 PLC ± 0.3		108-57527			
2 PLC ± 0.2		APPLICATION SPEC			
3 PLC ± 0.15		-			
4 PLC ± -		WEIGHT			
ANGLES ± 3°		-			
MATERIAL SEE NOTE		FINISH SEE NOTE			
		SIZE A3		CAGE CODE 00779	DRAWING NO C-1734579
		RESTRICTED TO -		SCALE 1:1	
		SHEET 5 of 5		REV D1	
CUSTOMER DRAWING					