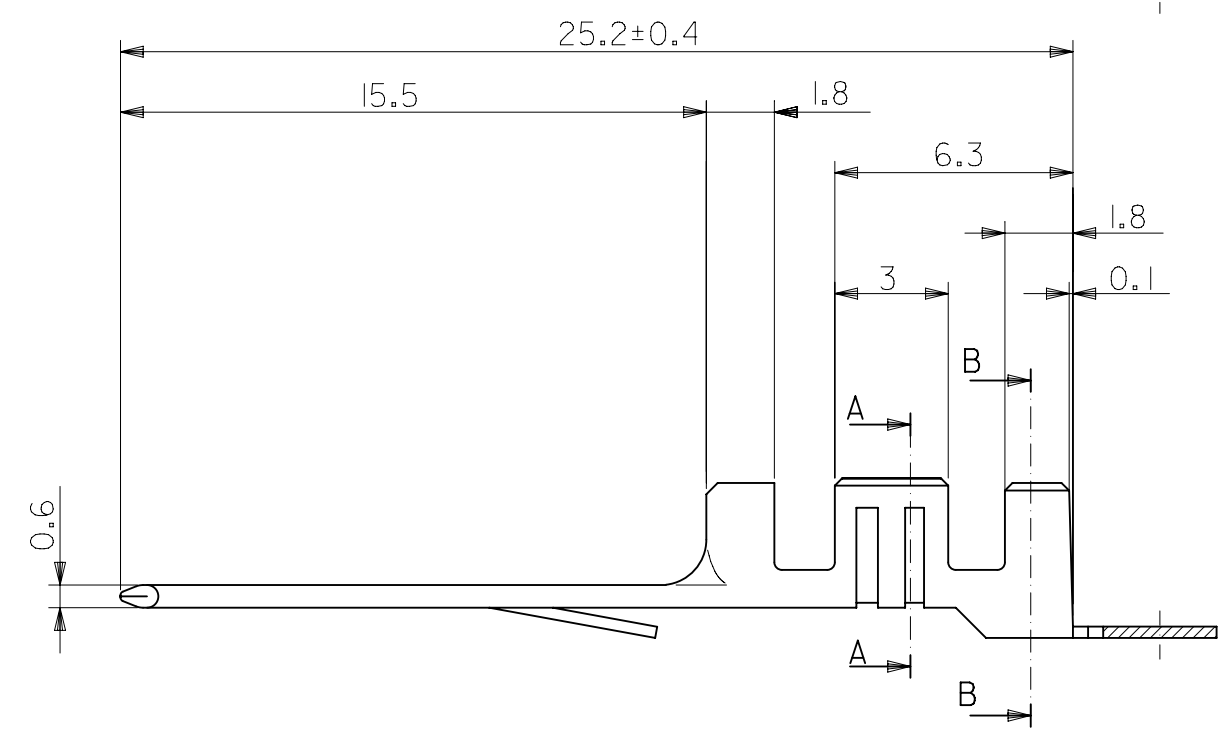
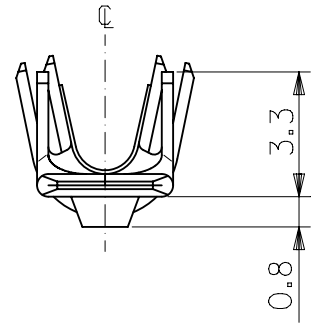


- 注)  
NOTES:
1. 材質  
MATERIAL  
黄銅 (板厚: 0.3)  
BRASS (THICKNESS: 0.3)
  2. メッキ仕様  
TERMINAL PLATING  
接点部 : 金メッキ 0.25 μm MIN.  
CONTACT AREA : GOLD 0.25 MICROMETER MIN.  
圧着部 : 錫メッキ 1.0 μm MIN.  
CRIMP AREA : TIN 1.0 MICROMETER MIN.  
下地メッキ : ニッケルメッキ 2.0 μm MIN.  
UNDER PLATE : NICKEL 2.0 MICROMETER MIN.
  3. 適用電線範囲 : UL 2517 , AWG #16  
APPLICABLE WIRE RANGE : UL2517 , AWG #16
  4. 被覆外径 : φ2.2~φ2.7  
INSULATION EXTERNAL DIA : φ2.2~φ2.7
  5. 適用ハウジングアッセンブリ : 51194 シリーズ  
APPLICABLE HOUSING ASS'Y : 51194 SERIES
  6. 本製品は59320-\*\*-90の鉛フリー品である。  
THIS PRODUCT IS LEAD FREE OF 59320-\*\*-90.



連鎖状 CHAIN	59320-9028	59320-**-28
端子形状 TERMINAL CONFIGURATION	MATERIAL No.	MODEL NO.

GENERAL TOLERANCES:  
(UNLESS SPECIFIED)  
一般公差

10 UNDER 未満	±0.2
10 OVER 以上 30 UNDER 未満	±0.25
30 OVER 以上	±0.3
ANGLE 角度	± 3°

THIS DRAWING CONTAINS INFORMATION THAT IS PROPRIETARY TO MOLEX ELECTRONIC TECHNOLOGIES, LLC AND SHOULD NOT BE USED WITHOUT WRITTEN PERMISSION

DIMENSION UNITS	SCALE
mm	1:1
GENERAL TOLERANCES (UNLESS SPECIFIED)	
4 PLACES	±
3 PLACES	±
2 PLACES	±
1 PLACE	±
0 PLACES	±
ANGULAR TOL	± °

CURRENT REV DESC: OBSOLETE PART NUMBERS AS PER PCN#508521

EC NO: 667388  
DRWN: SKANDB 2021/04/22  
CHK'D: GGA 2021/07/05  
APPR: GGA 2021/07/05

INITIAL REVISION:  
DRWN: Y.WADA 2004/03/29  
APPR: M.SASAO 2004/03/29

**molex**

POWER PLUG CRIMP TERM  
-LEAD FREE-

PRODUCT CUSTOMER DRAWING

DOCUMENT NUMBER	DOC TYPE	DOC PART	REVISION
SD-59320-002	PSD	001	A
MATERIAL NUMBER	CUSTOMER	SHEET NUMBER	
SEE TABLE	GENERAL MARKET	1 OF 1	