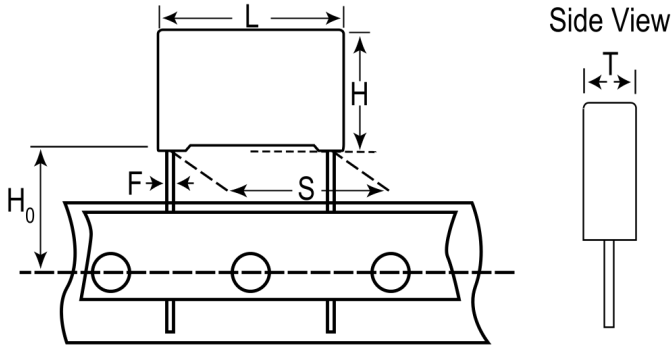


## R76QF1220CK00H

Aliases (76QF1220CK00H)

R76, Film, Double Metallized Polypropylene, Automotive Grade, 2200 pF, 2.5%, 1000 VDC, 85°C, Lead Spacing = 10mm



Click [here](#) for the 3D model.

### Dimensions

L	13mm +0.2/-0.5mm
H	9mm +0.1/-0.5mm
T	4mm +0.2/-0.5mm
S	10mm +/-0.4mm
H0	18.5mm +/-0.5mm
F	0.6mm +/-0.05mm

### Packaging Specifications

Packaging	T&R, Large
Packaging Quantity	1500

### General Information

Series	R76
Dielectric	Double Metallized Polypropylene
Style	Radial
Features	Automotive Grade, Pulse
RoHS	Yes
Lead	Wire Leads
Qualifications	AEC-Q200
AEC-Q200	Yes
Component Weight	0.7 g

### Specifications

Capacitance	2200 pF
Capacitance Tolerance	2.5%
Voltage AC	600 VAC
Voltage DC	1000 VDC
Temperature Range	-55/+110°C
Rated Temperature	85°C
Dissipation Factor	0.03% 1kHz, 0.04% 10kHz, 0.1% 100kHz
Insulation Resistance	100 GOhms
Max dV/dt	6500 V/us
Resistance	289.37 mOhms (100kHz)
Ripple Current	0.8 Amps (100kHz 85C), 14 Amps (Peak)
Inductance	9 nH