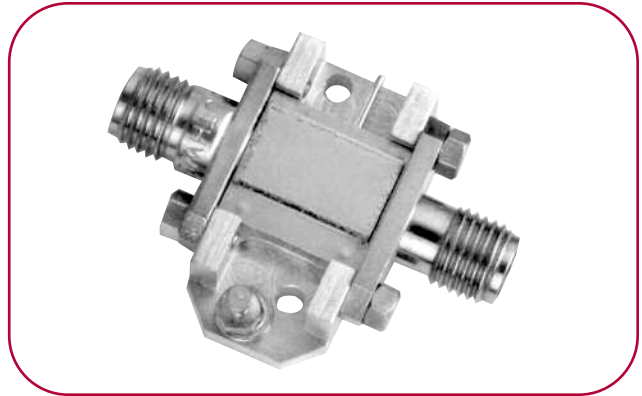


ACTIVE FREQUENCY DOUBLERS (CONT.)

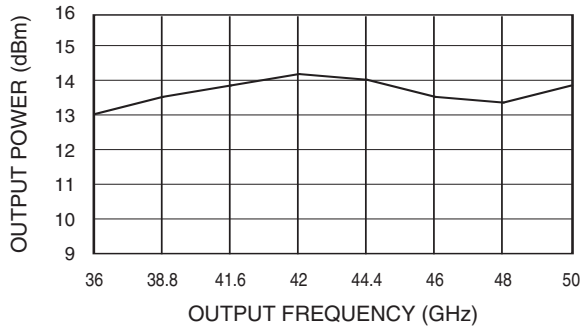
MODEL: MAX2M360500

ELECTRICAL SPECIFICATIONS

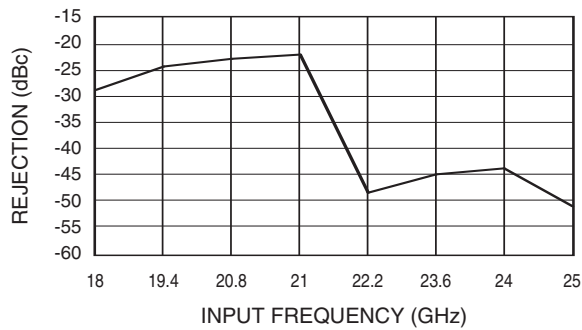
Input frequency range	18 – 25 GHz
Output frequency range	36 – 50 GHz
Input power range	10 – 15 dBm nominal
Harmonic rejection	
Fundamental	20 dBc typical
Odd harmonic	20 dBc typical



OUTPUT POWER VS. FREQUENCY

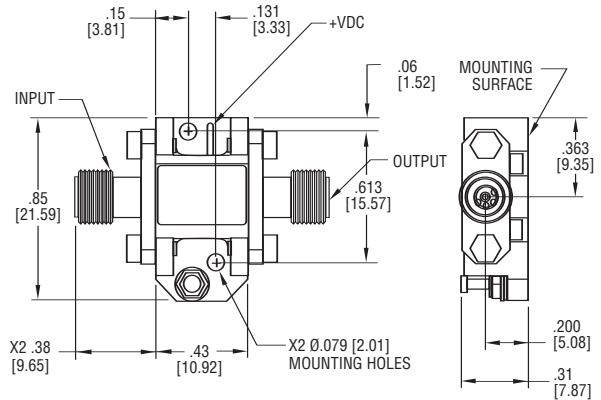


FUNDAMENTAL REJECTION VS. FREQUENCY ($P_{IN} = +10$ dBm)



OUTLINE DRAWING

MAX2K



NOTES:

- Optional input connectors SMA, K or output connectors V type male/female.
- Optional waveguide output available, please contact MITEQ.
- All dimensions shown in brackets [] are in millimeters.