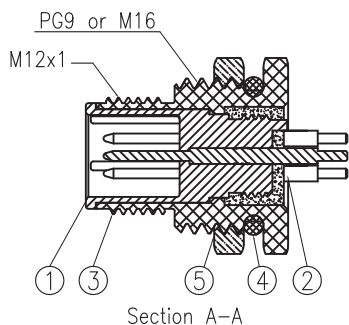
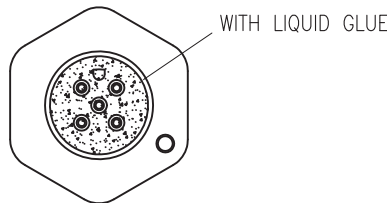
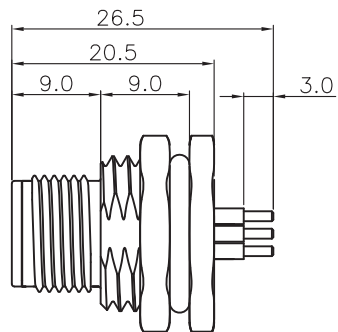
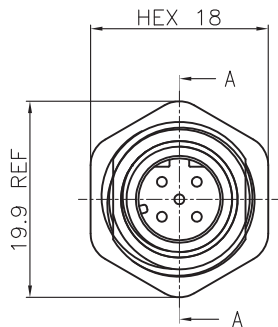
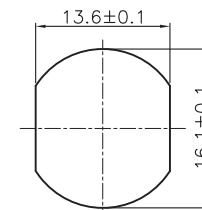
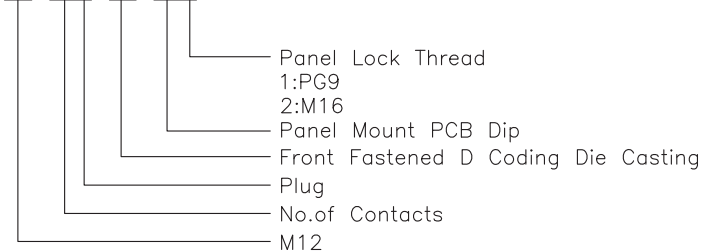


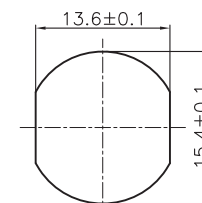
RoHS Compliant



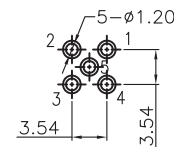
Specifications:
 Current Rating:4A(2~5Pin)AC/DC
 Voltage Rating:250V(2~4Pin);60V(5Pin)AC/DC
 Contact Resistance:5m ohm. Max.
 Insulation Resistance:100M ohm. Min.
 Withstanding Voltage:500V AC/Minute
 Operating Temperature Range:-40°C ~ +100°C
 Waterproof Rate:IP67
 Material and Finish
 See Table
 How to Order
 M12-XXP-FD-PBX



M16 Recommended
 Panel CUT-Out
 Thickness 4.0 Max.

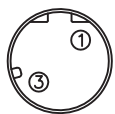


PG9 Recommended
 Panel CUT-Out
 Thickness 4.0 Max.

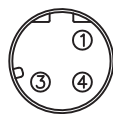


2~5P Recommended PCB Layout
 TOL:±0.05mm

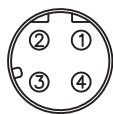
Pin Assignments Front View



2Pin



3Pin



4Pin



5Pin

ITEM	Description	Material	Remark	Q'TY
1	Insulator	Nylon	UL94V-0 Black	1
2	Terminal	Copper Alloy	Gold Plated 1u"	2~5
3	Shell	Zinc Alloy	Nickel Plated 60u"	1
4	Seal ring	Silicone	Red	1
5	Nut	Copper Alloy	PG9 or M16 Nickel Plated 60u"	1

F			
E			
D			
C			
B			
A	27-MAR-2021		ANDREW
REV	DATE	FILE	BY

DRAWN:	GENERAL TOLERANCE:
ANDREW	.X=±0.3 .XX=±0.2
CHECKED:	UNIT: MM
BILL	SCALE: 1:1
APPROVAL:	SHEET: 1/1
BILL	PROJECTION:

OST
 ON-SHORE TECHNOLOGY, INC.

DESCRIPTION: M12 D CODE PLUG STRAIGHT DIP TYPE

PART NO: M12-XXP-FD-PBX