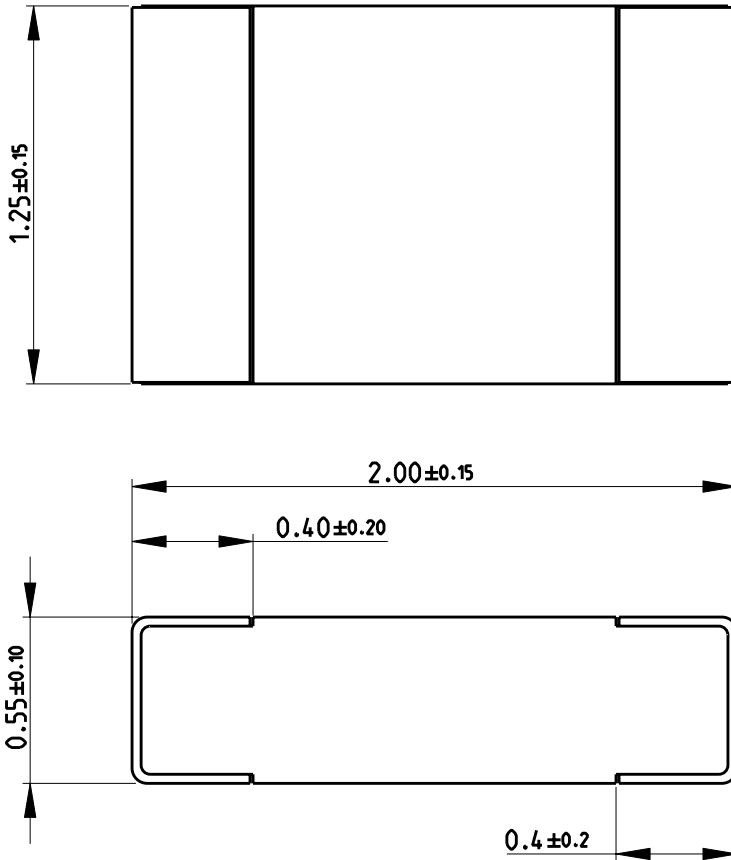
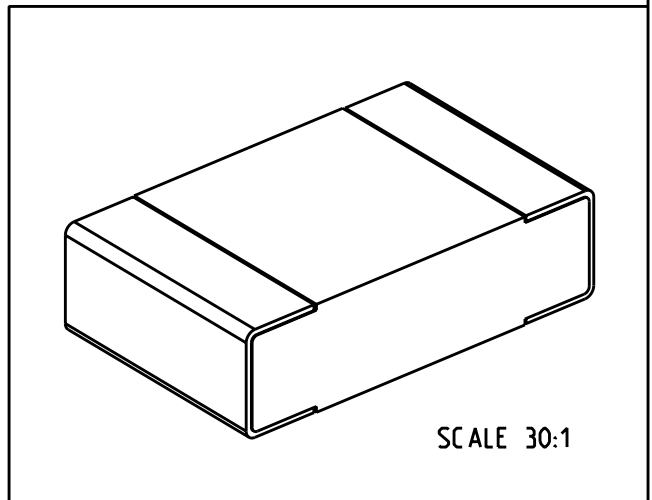


| | | | | | | | |
|-----|------|-----------|-----|-------------|-----------|-----|------|
| LOC | DIST | REVISIONS | | | | | |
| E | B | P | LTR | DESCRIPTION | DATE | DWN | APVD |
| | | BA | | NEW RELEASE | 11-MAY-09 | SM | St.P |

FOR FURTHER INFORMATION SEE DATA SHEET FOR
CRG SERIES-THICK FILM CHIP RESISTORS



RoHS Compliant



SCALE 30:1

2009

RELEASED FOR PUBLICATION

THIS DRAWING IS UNPUBLISHED.

BY TYCO ELECTRONICS CORPORATION. ALL RIGHTS RESERVED.

© COPYRIGHT 2009

| | | | | | | | |
|--|--|------------------|-----------|--|-----------|------------|---------------|
| DIMENSIONS: | | DWN | 11-MAY-09 | MATERIAL | - | FINISH | - |
| mm | | SUBHASH.M | | Tyco Electronics Corporation Dorcan, Swindon, SN3 5HH | | | |
| TOLERANCES UNLESS OTHERWISE SPECIFIED: | | CHK | 11-MAY-09 | | | | |
| 0 PLC ± 0.5 | | PRAKASH.S | | | | | |
| 1 PLC ± 0.2 | | APVD | 11-MAY-09 | NAME | | | |
| 2 PLC ± 0.1 | | STEPHEN.P | | THICK FILM CHIP RESISTORS | | | |
| 3 PLC ± - | | PRODUCT SPEC | - | SERIES CRG 0805 | | | |
| 4 PLC ± - | | APPLICATION SPEC | - | SIZE | CAGE CODE | DRAWING NO | RESTRICTED TO |
| ANGLES ± 5° | | WEIGHT | - | A 4 | 00779 | C- 1623252 | - |
| CUSTOMER DRAWING | | | | SCALE | 40:1 | SHEET | 1 OF 1 |
| | | | | REV BA | | | |