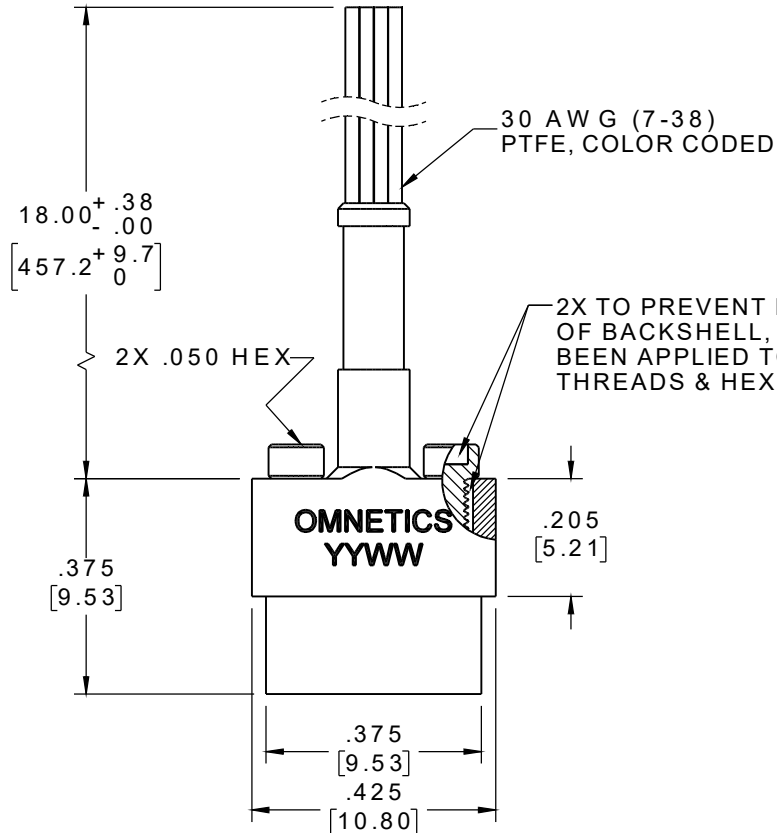
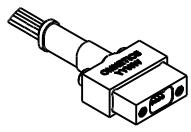


PART NO.	A 29111-009	REV	ECO	DATE	APP
		B	106954	01-06-2021	ARJ

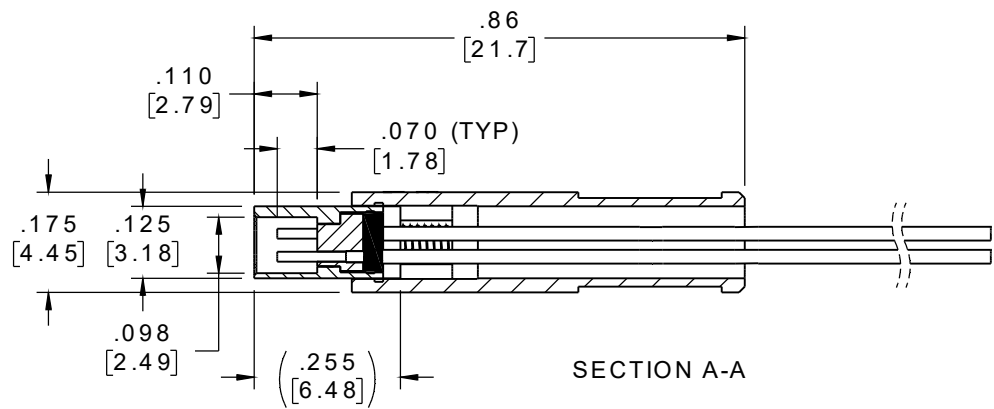
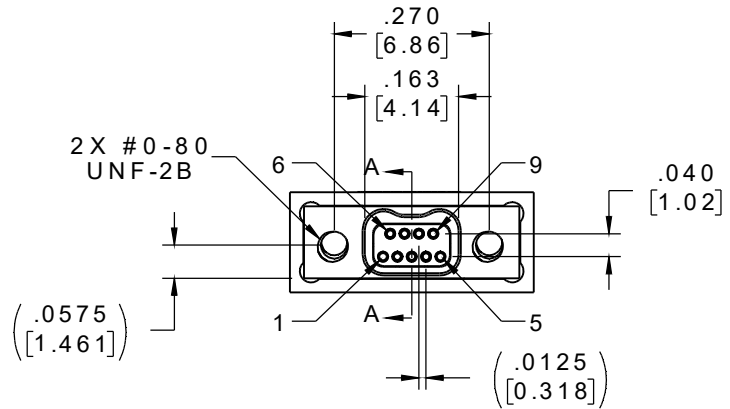


SOCKET #	COLOR
1	BLACK
2	BROWN
3	RED
4	ORANGE
5	YELLOW
6	GREEN
7	BLUE
8	VIOLET
9	GRAY



ACTUAL SIZE
EXCLUDING WIRE LENGTH

INTERNAL USE ONLY
USE MFG LOADING
PROCEDURE A29000-009



NOTE:
DIMENSIONS IN [] ARE IN
MILLIMETERS UNLESS
OTHERWISE NOTED AND ARE
FOR REFERENCE ONLY

MNSW S/DW	THIRD ANGLE	THIS DRAWING CONTAINS CONFIDENTIAL AND PROPRIETARY INFORMATION WHICH IS THE PROPERTY OF OMNETICS CONNECTOR CORP. THIS DOCUMENT MAY NOT, IN WHOLE OR IN PART, BE DUPLICATED, OR DISCLOSED FOR ANY PURPOSE, WITHOUT WRITTEN PERMISSION FROM OMNETICS CONNECTOR CORP.		OMNETICS	CAGE CODE 61873	
	-TOLERANCES- UNLESS OTHERWISE NOTED DIMENSIONS IN INCHES	DFTM. HV	DATE 03-05-18		DWG NO. A29111-009	
	2 PL DEC ± .01	CHK'D.	DATE	CONNECTOR CORPORATION		SHEET 1 OF 2
	3 PL DEC ± .005	APP'D.	DATE	7260 COMMERCE CIRCLE EAST MINNEAPOLIS, MN 55432 WWW.OMNETICS.COM		
4 PL DEC ± .0005	TITLE: (09) SOCKET FEMALE Bi-Lobe® CONNECTOR W/BACKSHELL		SCALE: 3:1			
ANGLES ± 1°						