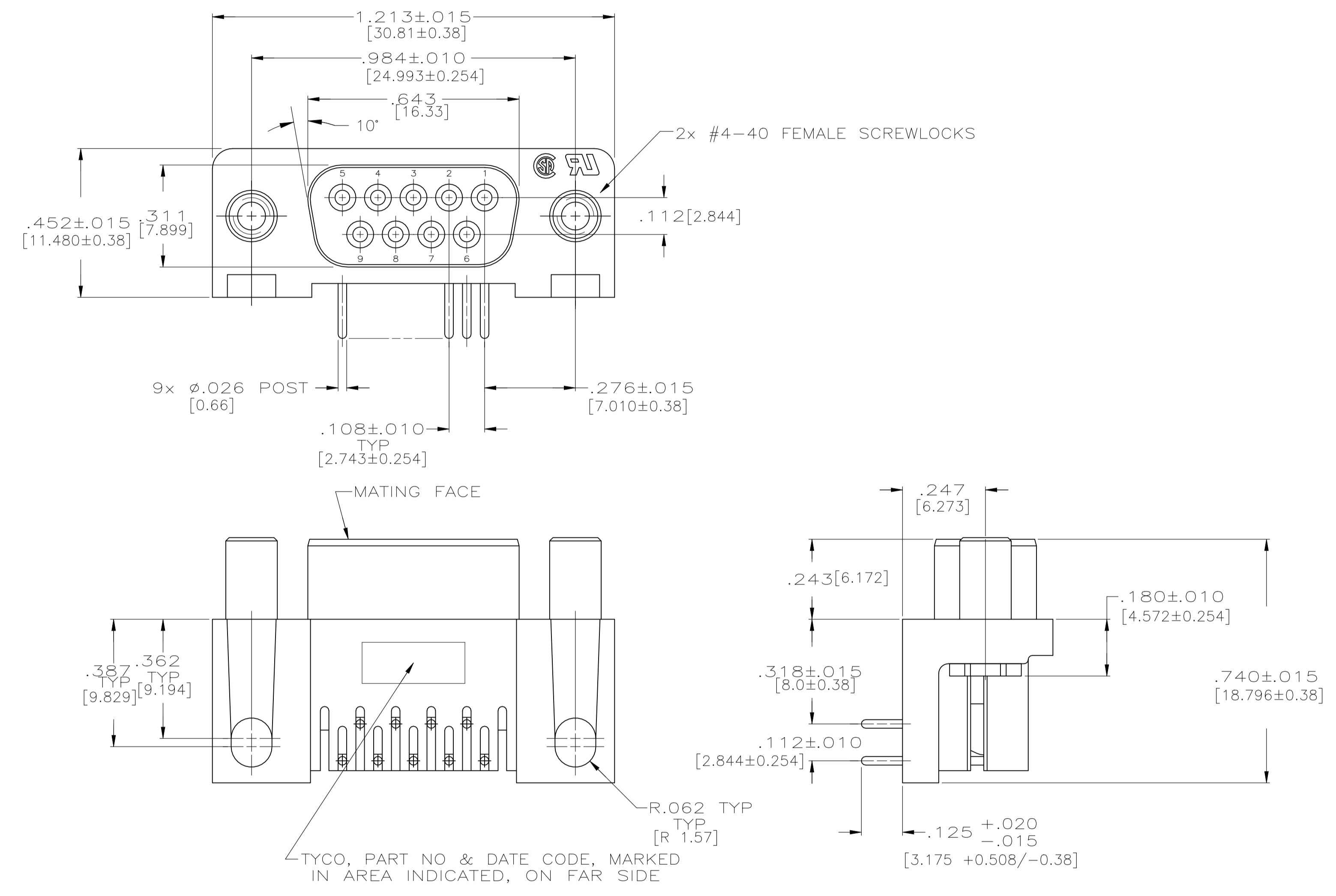
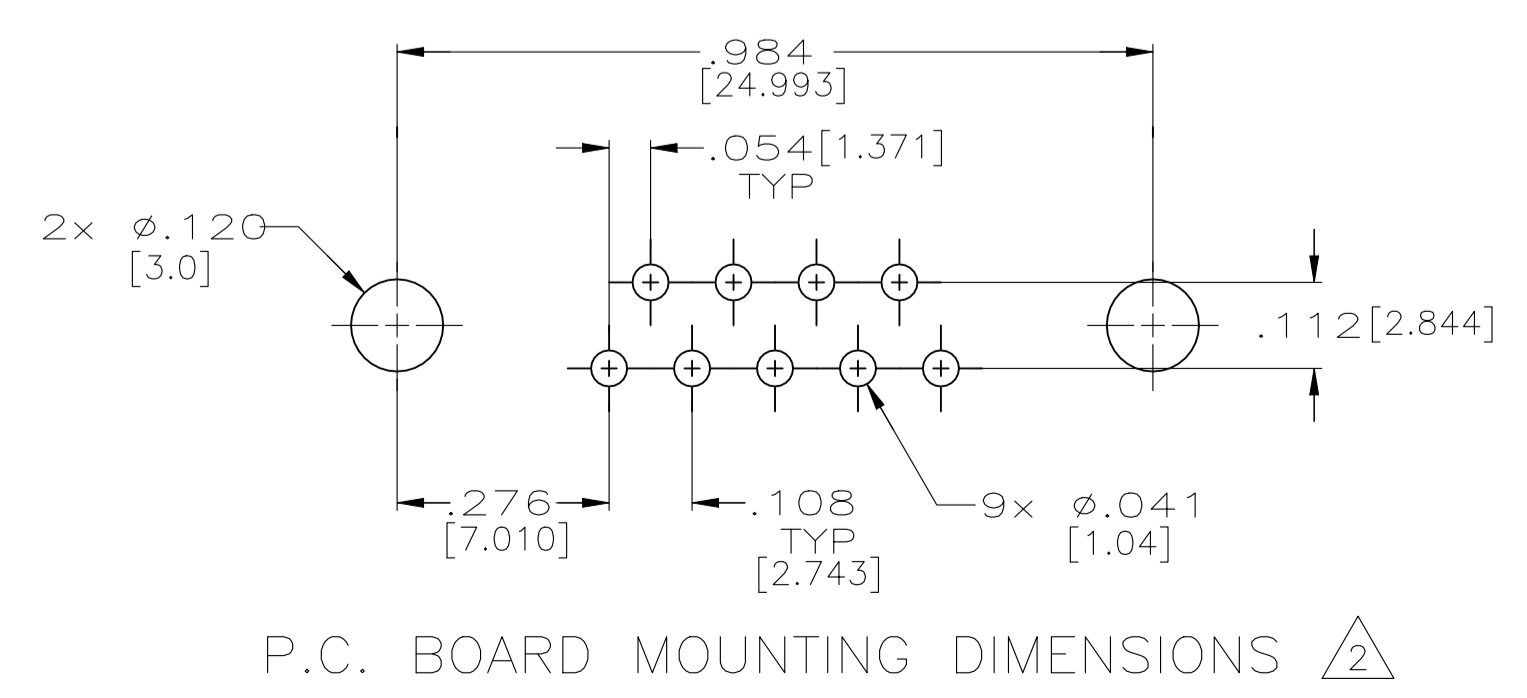


REVISIONS					
P	LTR	DESCRIPTION	DATE	DRN	APVO
P		RELEASED PER ECR-22-136081	14APR2022	RR	SZ



- ⚠ HOUSING: FLAME RETARDANT, 94V-0 RATED, GLASS FILLED NYLON OR POLYESTER, COLOR: BLACK.
CONTACTS: PHOS. BRONZE.
SCREWLOCKS: ZINC
- ⚠ REFER TO APPLICATION SPEC FOR RECOMMENDED P.C. BOARD MOUNTING DIMENSIONS FOR AUTOMATIC INSERTION.
- ⚠ CONTACTS: PLATED WITH .000030 [0.000762] MIN GOLD FOR LENGTH OF .055[1.397] MIN FROM MATING END, .000100 [0.00254] MIN TIN ON SOLDER END, ALL OVER .000050 [0.00127] MIN NICKEL ON ENTIRE CONTACT. SCREWLOCKS: CLEAR CHROMATE COATING



TUBES	5745395-3
TRAYS	5745395-2
PACKAGING	PART NUMBER

THIS DRAWING IS A CONTROLLED DOCUMENT.		DIN G. PETERS 15SEP05	TE Connectivity	
DIMENSIONS: INCHES [mm]		CIK S. BOLASH 15SEP05		
TOLERANCES UNLESS OTHERWISE SPECIFIED:		APVD M. WALMSLEY 15SEP05	NAME	
0 PLC ± -		PRODUCT SPEC		
1 PLC ± -		108-40025		
2 PLC ± -		APPLICATION SPEC		
3 PLC ± .005		114-40015		
4 PLC ± -		SIZE		
ANGLES ± °		CAGE CODE DRAWING NO		
MATERIAL		WEIGHT 0.000000		RESTRICTED TO
FINISH		A1 00779 C=5745395		
SCALE 4:1		SHEET 1 of 1		REV P
CUSTOMER DRAWING				